



MC34262

Preliminary

CMOS IC

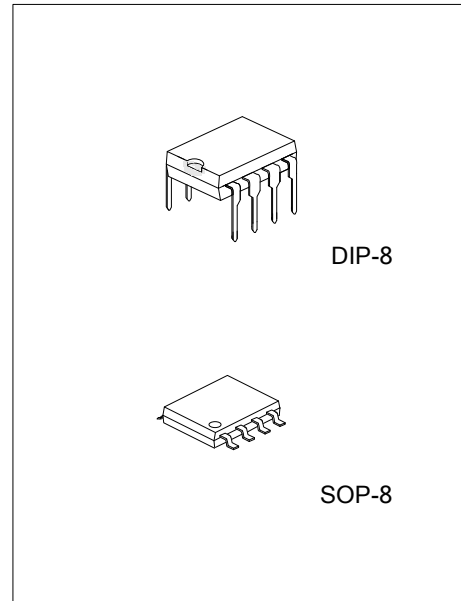
POWER FACTOR CONTROLLERS

DESCRIPTION

The UTC **MC34262** is an active power factor controller that functions as a boost preconverter in electronic ballast and in off-line power converter applications.

These integrated circuits feature an internal startup timer for stand-alone applications, one quadrant multiplier for near unity power factor, zero current detector to ensure critical conduction operation, transconductance error amplifier, quick start circuit for enhanced startup, trimmed internal bandgap reference, current sensing comparator, and a totem pole output ideally suited for driving a power MOSFET.

The multi-protection function of UTC **MC34262** can greatly enhance the system reliability and safety. The UTC **MC34262** features output over voltage protection, input UVLO with hysteresis, cycle-by-cycle current limiting, multiplier output clamp that limits maximum peak switch current, and a drive output high state clamp for MOSFET gate protection. These devices are available in dual-in-line and surface mount plastic packages.



FEATURES

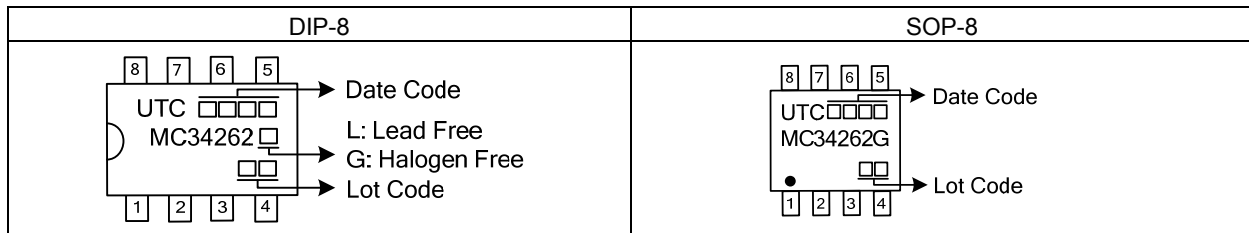
- * Output over voltage protection
- * Internal Startup Timer
- * One Quadrant Multiplier
- * Zero Current Detector
- * Trimmed 2% Internal Bandgap Reference
- * Totem Pole Output with High State Clamp
- * Undervoltage Lockout (UVLO) with 5.0V of Hysteresis
- * Low Startup and Operating Current
- * Supersedes Functionality of SG3561, TDA4817 and UTC **MC34262**

ORDERING INFORMATION

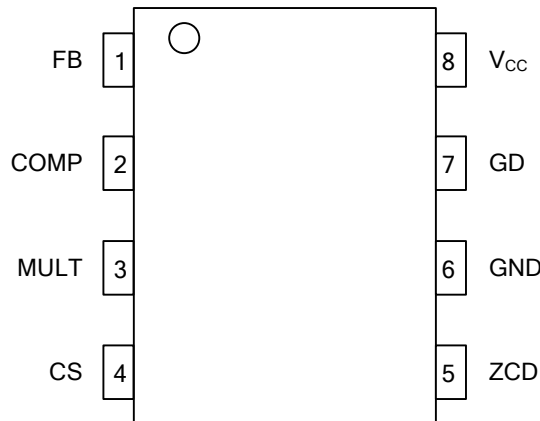
Ordering Number		Package	Packing
Lead Free	Halogen Free		
MC34262L-D08-T	MC34262G-D08-T	DIP-8	Tube
-	MC34262G-S08-R	SOP-8	Tape Reel

<p>MC34262L-D08-T</p> <ul style="list-style-type: none"> (1) Packing Type (2) Package Type (3) Green Package 	<ul style="list-style-type: none"> (1) T: Tube, R: Tape Reel (2) D08: DIP-8, S08: SOP-8 (3) L: Lead Free, G: Halogen Free and Lead Free
---	--

MARKING



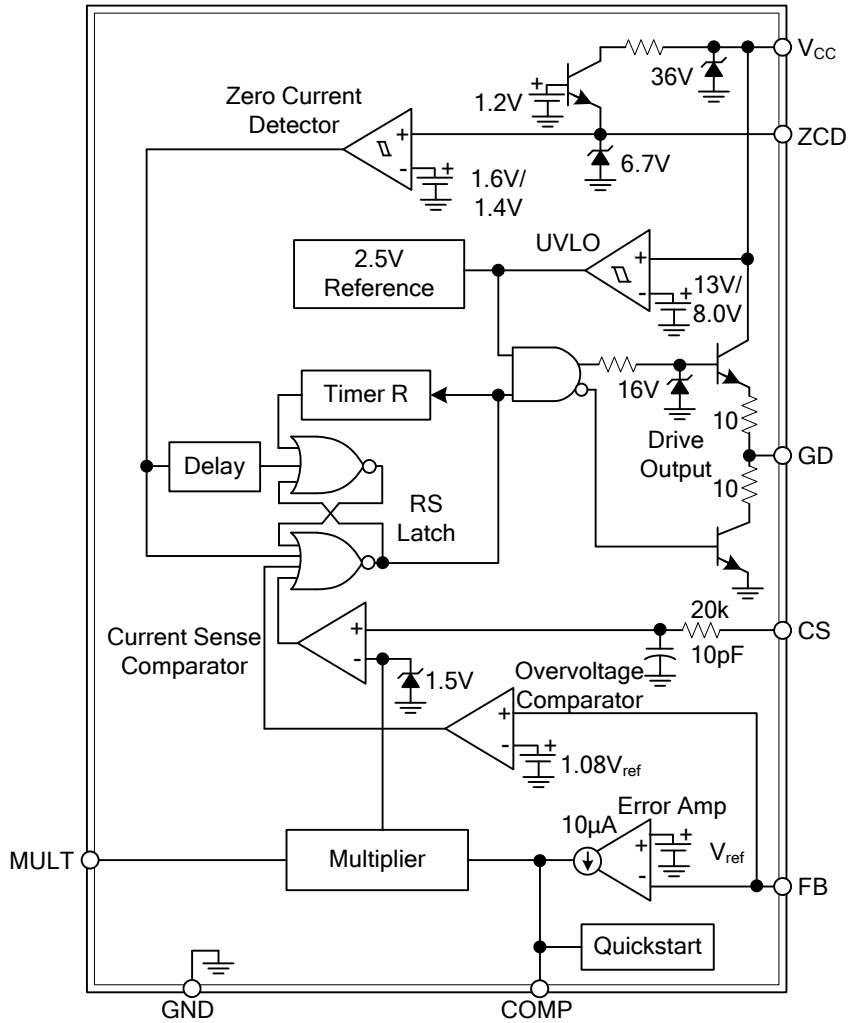
PIN CONFIGURATION



PIN DESCRIPTION

PIN NO.	PIN NAME	DESCRIPTION
1	FB	Inverting input of the error amplifier. The information on the out voltage of the boost converter is fed into the pin through a resistor divider.
2	COMP	Out of the error amplifier. This pin is connected to ground via a compensation capacitor to achieve stability of the voltage control loop.
3	MULT	Input to the multiplier. This pin is connected to the line voltage after the bridge rectified diodes via a resistor divider to provide sinusoidal reference voltage to the current loop.
4	CS	Input to the CS comparator. The MOSFET current is sensed by a resistor, the resulting voltage is applied to this pin and compared with an internal sinusoidal-shaped reference generated by the multiplier to determine the MOSFET's turn off.
5	ZCD	Zero Current Detector input. This pin is connected to the auxiliary winding via a resistor to sense the inductor current zero crossing point by monitoring the auxiliary winding voltage falls below 1.4V. When activated, a new switching cycle starts.
6	GND	Ground pin.
7	GD	Gate driver out. The totem pole output stage is able to driver power MOSFET, The high-level voltage of the pin is clamped at about 16V.
8	VCC	Supply voltage of driver and control circuits.

■ BLOCK DIAGRAM



■ ABSOLUTE MAXIMUM RATING

PARAMETER		SYMBOL	RATINGS	UNIT	
Total Power Supply And Zener Current		(I _{CC} +I _Z)	30	mA	
Output Current, Source Or Sink		I _O	500	mA	
Current Sense, Multiplier, And Voltage Feedback Inputs		V _{IN}	-1.0~+10	V	
Zero Current Detect Input	High State Forward Current	I _{IN}	50	mA	
	Low State Reverse Current		-10		
Power Dissipation And Thermal Characteristics	N Suffix, Plastic Package	Maximum Power Dissipation (T _A =70°C)	P _D	800	mW
		Thermal Resistance, Junction-to-Air	R _{θJA}	100	°C/W
	D Suffix, Plastic Package	Maximum Power Dissipation (T _A =70°C)	P _D	450	mW
		Thermal Resistance, Junction-to-Air	R _{θJA}	178	°C/W
Operating Junction Temperature		T _J	+150	°C	
Operating Ambient Temperature		T _A	0~+85	°C	
Storage Temperature		T _{STG}	-65~+150	°C	

Note: Absolute maximum ratings are those values beyond which the device could be permanently damaged. Absolute maximum ratings are stress ratings only and functional device operation is not implied.

■ ELECTRICAL CHARACTERISTICS

(V_{CC}=12V, for min/max values T_A is the operating ambient temperature range that applies unless otherwise noted.)

PARAMETER		SYMBOL	TEST CONDITIONS	MIN	TYP	MAX	UNIT
ERROR AMPLIFIER							
Voltage Feedback Input Threshold	V _{FB}		T _A =25°C	2.465		2.535	V
			T _A =T _{low} ~T _{high} , V _{CC} =12V~28V	2.44		2.54	
Line Regulation	Reg _{line}		V _{CC} =12V~28V, T _A =25°C			10	mV
Input Bias Current	I _{IB}		V _{FB} =0V			-0.5	μA
Transconductance	g _m		T _A =25°C	80		130	μmho
Output Current	Source	I _O	V _{FB} =2.3V		10		μA
	Sink		V _{FB} =2.7V		10		μA
Output Voltage Swing	High State	V _{OH(EA)}	V _{FB} =2.3V	5.8			V
	Low State	V _{OL(EA)}	V _{FB} =2.7V			2.4	V
OVERVOLTAGE COMPARATOR							
Voltage Feedback Input Threshold	V _{FB(OV)}			1.065		1.095	V
MULTIPLIER							
Input Bias Current, MULT	I _{MULT}		V _{FB} =0V			-0.5	μA
Input Threshold, COMP	V _{TH(M)}			1.05			V
Dynamic Input Voltage Range	Multiplier Input	V _{MULT}		0~2.5			V
	Compensation	V _{COMP}		V _{TH(M)} ~ (V _{TH(M)} +1.0)			V
Multiplier Gain	K		V _{MULT} =0.5V, V _{COMP} =V _{TH(M)} +1.0V	0.43		0.87	1/V
ZERO CURRENT DETECTOR							
Input Threshold Voltage	V _{TH}		V _{IN} Increasing	1.33		1.87	V
Hysteresis	V _{HYS}		V _{IN} Decreasing	100		300	mV
Input Clamp Voltage	High State	V _{ZCDH}	I _{DET} =+3.0mA	6.1			V
	Low State	V _{ZCDL}	I _{DET} =-3.0mA	0.3		1.0	

■ ELECTRICAL CHARACTERISTICS (Cont.)

PARAMETER		SYMBOL	TEST CONDITIONS	MIN	TYP	MAX	UNIT
CURRENT SENSE COMPARATOR							
Input Bias Current		I_{IB}	$V_{CS}=0V$			-1.0	μA
Input Offset Voltage		$V_{CSoffset}$	$V_{COMP}=1.1V, V_{MULT}=0V$			25	mV
Maximum Current Sense Input Threshold (Note 1)		$V_{TH(MAX)}$		1.3		1.8	V
Delay to Output		$T_{PHL(IN/OUT)}$				400	ns
DRIVE OUTPUT							
Output Voltage	Low State	V_{OL}	$V_{CC}=12V$	$I_{sink}=20mA$		0.8	V
				$I_{sink}=200mA$		3.3	
	High State	V_{OH}		$I_{source}=20mA$	9.8		
				$I_{source}=200mA$	7.8		
Output Voltage	High State	$V_{O(max)}$	$V_{CC}=30V$	$I_{source}=20mA,$ $C_L=15pF$	14	18	V
Output Voltage Rise Time		T_R	$C_L=1.0nF$			120	ns
Output Voltage Fall Time		T_F	$C_L=1.0nF$			120	ns
Output Voltage with UVLO Activated		$V_{O(UVLO)}$	$V_{CC}=7.0V, I_{sink}=1.0mA$			0.5	V
RESTART TIMER							
Restart Time Delay		T_{Dly}		200			μs
SUPPLY VOLTAGE SECTION							
V_{CC} Under Voltage Lockout Exit		$UVLO_{off}$	V_{CC} increasing	11.5		14.5	V
V_{CC} Under Voltage Lockout Enter		$UVLO_{on}$	V_{CC} decreasing	7.0		9.0	V
Hysteresis		V_{Hys}		3.8		6.2	V
V_{CC} Supply Zener Voltage		V_Z		30			V
SUPPLY CURRENT SECTION							
Stand by mode Current		I_{stand_by}	$V_{CC}=7.0V$			0.4	mA
Quiescent Current		I_Q	Output no switching			12	mA
Dynamic Operating Current		I_{CC}	50kHz, $C_L=1.0nF$			20	mA

■ TYPICAL APPLICATION CIRCUIT

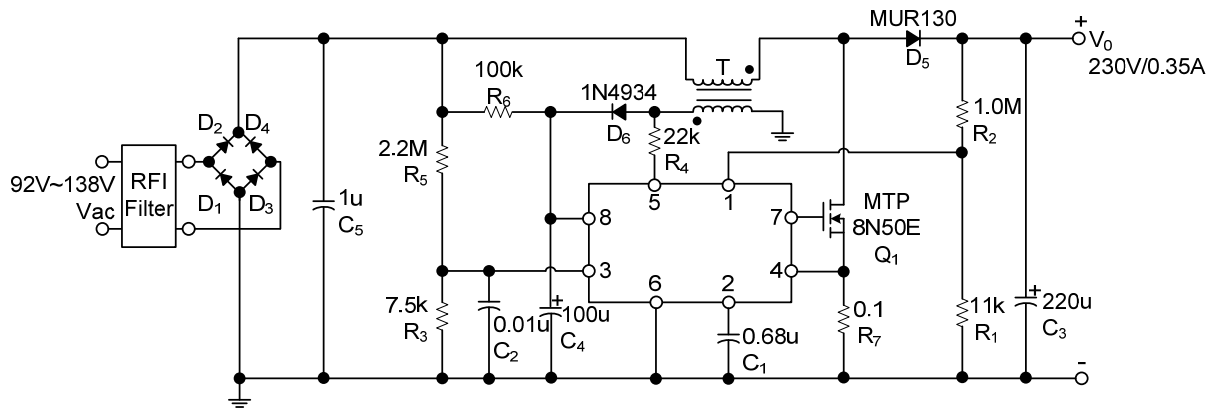


Figure 1. 80W Power Factor Controller

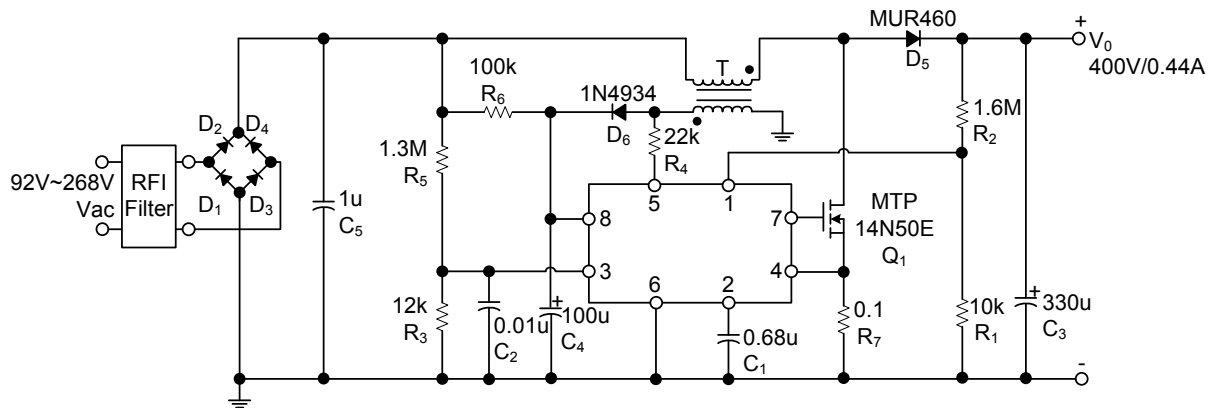


Figure 2. 175W Power Factor Controller

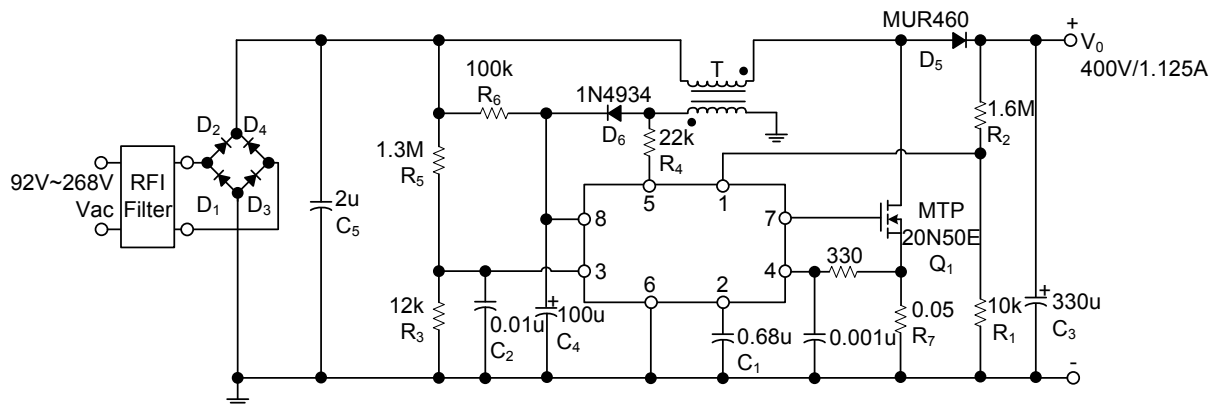


Figure 3. 450W Power Factor Controller

UTC assumes no responsibility for equipment failures that result from using products at values that exceed, even momentarily, rated values (such as maximum ratings, operating condition ranges, or other parameters) listed in products specifications of any and all UTC products described or contained herein. UTC products are not designed for use in life support appliances, devices or systems where malfunction of these products can be reasonably expected to result in personal injury. Reproduction in whole or in part is prohibited without the prior written consent of the copyright owner. The information presented in this document does not form part of any quotation or contract, is believed to be accurate and reliable and may be changed without notice.