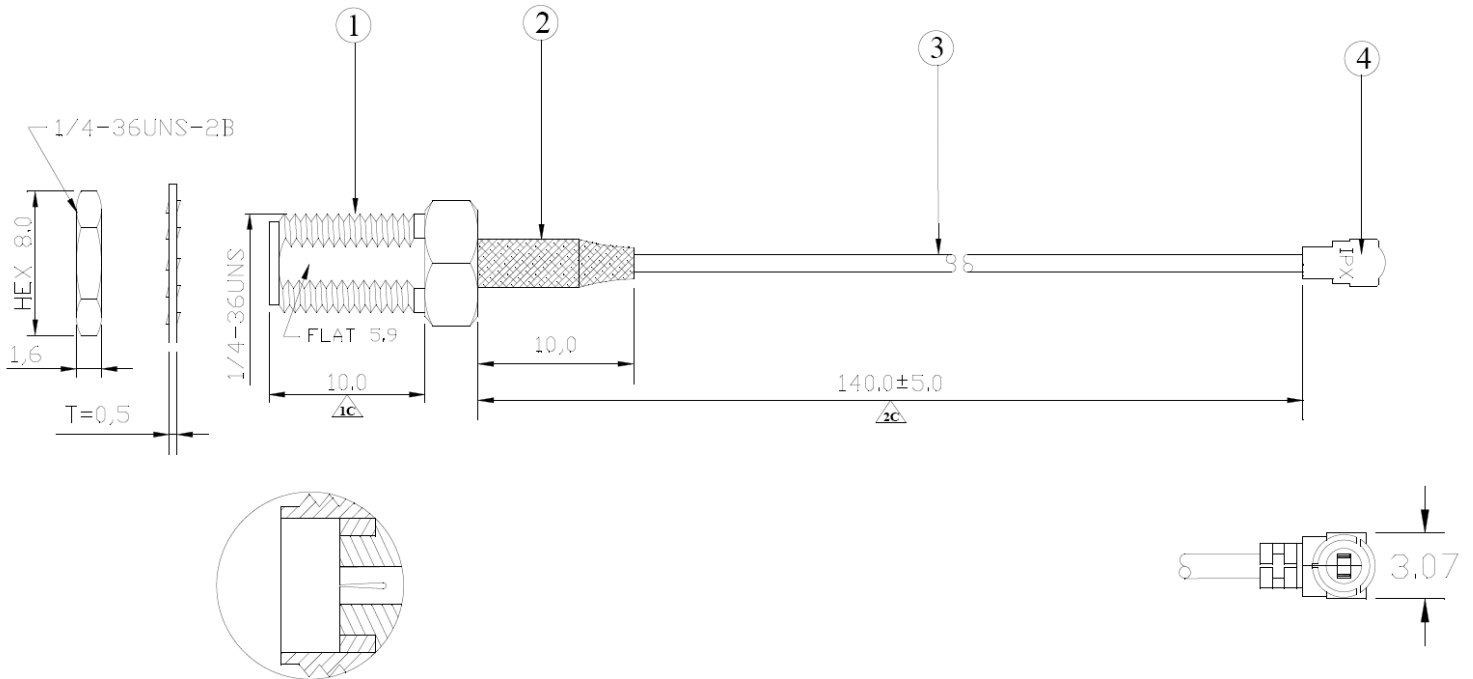


## RN-UFL-SMAF6

6" coax cable with U.FL and male SMA connector for use with a reverse polarity (female) antenna



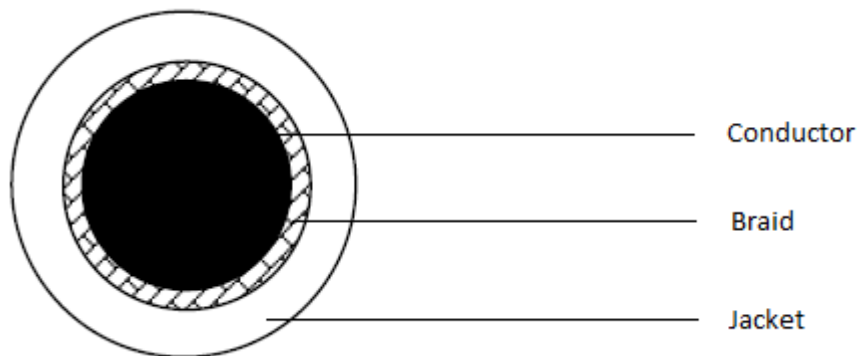
Item	Description
1	SMA Jack Straight Bulkhead Crimp for 1.13 Cable
2	Heat Shrink Tube $\varnothing$ 3.0
3	Standard Coaxial Cable $\varnothing$ 1.13 cable
4	U.FL Compatible Connector for $\varnothing$ 1.13 Cable

# Cable Specifications

## Physical Characteristics

<b>Conductor</b>	<b>Size</b>	<b>AWG</b>	<b>32</b>
	Material	-	<b>Silver Cover / Copper</b>
	Conductor No.	-	<b>7</b>
	Conductor Size	mm	<b>0.08</b>
	O.D.	mm	<b>0.24</b>
<b>Insulation</b>	Average Thickness	mm	<b>0.22</b>
	Diameter	mm	<b>0.68 ±0.02</b>
	Material	-	<b>FEP</b>
	Color	-	<b>Clear</b>
<b>Braid</b>	Material	-	<b>Silver Cover / Copper</b>
	Construction	mm	<b>16 / 4 / 0.05</b>
	Coverage	%	<b>91.3</b>
<b>Jacket</b>	Average Thickness	mm	<b>0.13</b>
	Diameter	mm	<b>1.13 ±0.05</b>
	Material	-	<b>FEP</b>

## Drawing





## Electrical Characteristics

Attenuation	Frequency	dB/1m
	2.0 GHz	2.80
	2.4 GHz	3.10
	2.5 GHz	3.15
	5.0 GHz	4.85

Item	32 AWG
Nominal Impedance	50 ±3 Ohms
Nominal Capacitance	96 ±3pF/m
Rating Temp Voltage	105°C 30V
Conductor Resistance	850 Ω/KM/20°C (MAX)
Insulation Resistance	1000 MΩ/KM (MIN)
Spark Test	2.5KV

**Copyright ©2012 Roving Networks. All rights reserved.**

Roving Networks reserves the right to make corrections, modifications, and other changes to its products, documentation and services at any time. Customers should obtain the latest relevant information before placing orders and should verify that such information is current and complete.

Roving Networks assumes no liability for applications assistance or customer product design. Customers are responsible for their products and applications using Roving Networks components. To minimize the risks associated with customer products and applications, customers should provide adequate design and operating safeguards.

Roving Networks products are not authorized for use in safety-critical applications (such as life support) where a failure of the Roving Networks product would reasonably be expected to cause severe personal injury or death, unless officers of the parties have executed an agreement specifically governing such use.

All other trademarks are property of their respective owners.