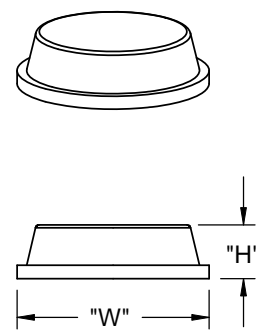
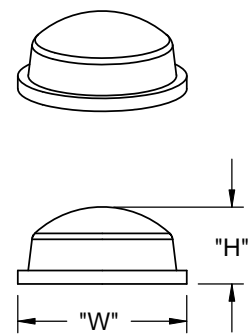


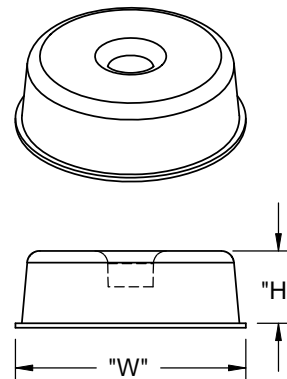
TYPE 1.



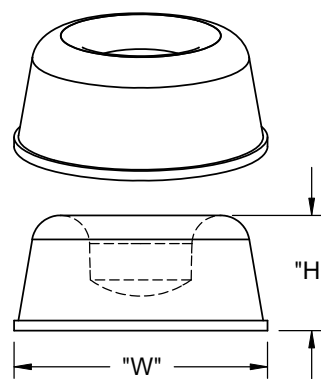
TYPE 2.



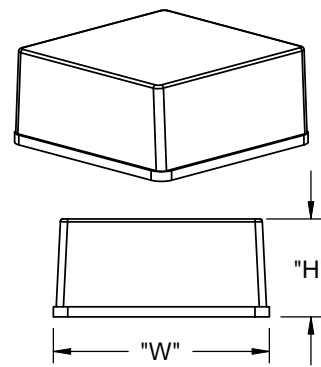
TYPE 3.



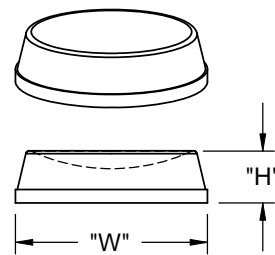
TYPE 4.



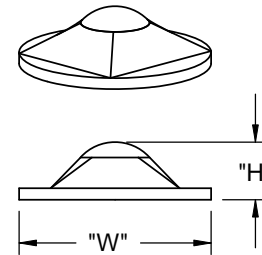
TYPE 5.



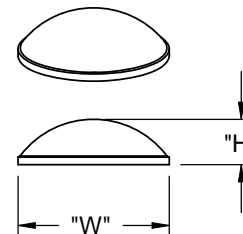
TYPE 6.



TYPE 7.



TYPE 8.



TYPE 9.

| PART NO. | DIA. (OR "W") ±.020 [±0.5] | HEIGHT "H" ±.020 [±0.5] | 6 X 12 MATRIX KISS CUT PAD PCS/PAD | TYPE | QTY. CTN |
|-----------|-------------------------------|----------------------------|--|-------------------|-----------|
| RBS-3R | .50 [12.7] | .23 [5.8] | 200 | 1 (PYRAMID) | 5000 |
| RBS-19 | .81 [20.5] | .30 [7.6] | 98 | | 2646 |
| RBS-20 | .40 [10.2] | .10 [2.5] | 242 | | 5082 |
| RBS-29 | .78 [19.8] | .25 [6.4] | 98 | | 2940 |
| RBS-32R | | .12 [3.1] | | | 5000 |
| RBS-1 | .50 [12.7] | .14 [3.5] | 200 | 2 (CYLINDRICAL) | 5000 |
| RBS-5 | | .06 [1.6] | | | 5000 |
| RBS-6 | | .25 [6.3] | | | 5000 |
| RBS-11 | .62 [15.9] | .40 [10.1] | 128 | | 2560 |
| RBS-24 | .81 [20.5] | .12 [3.1] | 72 | | 2520 |
| RBS-34 | .37 [9.5] | | 300 | | 6000 |
| RBS-35 | | .19 [4.8] | 200 | | 5000 |
| RBS-41 | .78 [20.0] | .20 [5.1] | 84 | | 3360 |
| RBS-44 | .75 [19.1] | .16 [4.1] | 98 | | 2450 |
| RBS-72 | 1.24 [31.5] | .10 [2.5] | 32 | | 2400 |
| RBS-2 | .44 [11.1] | .20 [5.1] | 242 | 3 (DOMES) | 5082 |
| RBS-8 | .70 [17.6] | .38 [9.6] | 98 | | 2254 |
| RBS-12 | .38 [9.6] | .15 [3.8] | 72 | | 7200 |
| RBS-15 | .62 [16.0] | .31 [7.9] | 128 | | 3200 |
| RBS-22 | .38 [9.6] | .21 [5.4] | 300 | | 6000 |
| RBS-27 | .31 [7.9] | .08 [2.2] | 450 | | 5400 |
| RBS-37 | .72 [18.3] | .56 [14.2] | 100 SEPARATE PARTS | | 1500 |
| RBS-39 | .75 [19.1] | .07 [1.9] | 84 | | 5040 |
| RBS-40 | .25 [6.4] | .06 [1.6] | 578 | | 15028 |
| RBS-30 | 1.8 [45.7] | .60 [15.8] | 100 SEPARATE PARTS | | 4 (ROUND) |
| RBS-17 | .88 [22.3] | .40 [10.1] | 72 | 5 (ROUND) | 1440 |
| RBS-4 | .78 [19.8] | .38 [9.7] | 100 SEPARATE PARTS | 6 (SQUARE) | 5600 |
| RBS-36 | 1.00 [25.4] | .18 [4.7] | 55 | | 2310 |
| RBS-18 | .50 [12.7] | .14 [3.5] | 200 | 7 (ROUND) | 5000 |
| RBS-33-SD | | .15 [3.8] | | 8 (ROUND-PYRAMID) | 5000 |
| RBS-7 | .335 [8.6] | .085 [2.2] | 450 | 9 (DOMES) | 5400 |
| RBS-10 | .39 [10] | .12 [3] | 288 | | 7200 |

- NOTES:
 1. MATERIAL: POLYURETHANE (RMS-64), 60-70 DUROMETER, SHORE A.
 2. STANDARD COLOR: CLEAR AND BLACK: TO ORDER BLACK ADD "-BK" TO PART NO. BROWN "-BN", WHITE "-WH", OR GRAY "-GY" AVAILABLE BY SPECIAL ORDER ONLY. PART NO. RBS-33-SD AND RBS-10 AVAILABLE IN CLEAR ONLY.
 3. ADHESIVE: RUBBER (RMS-68).
 4. LIGHTER BUMPER COLORS MAY SHOW SOME DARKENING OR YELLOWING WHEN NOT STORED IN ORIGINAL UNOPENED CARTON.
 *NON STAINING, NON MARRING.
 *CRACK RESISTANT.

| REV. | DESCRIPTION | ENGR. | DATE |
|------|------------------------------|-------|----------|
| X | SEE CO 200507 FOR CHANGES | SK | 03/08/10 |
| W | SEE CO 200500 FOR CHANGES | SK | 02/22/10 |
| - | SEE ENGINEERING FOR REV. A-V | - | ---- |

| | | | | | | | |
|---|---------------|---|--------------|----------------|-----------|-----------|--|
| TITLE: RICHCO BUMPERS | | | | DWG IN IN [MM] | | FINAL | |
| CREATED USING SOLIDWORKS | FILE #: RBS | DWN: SM | APP: DJZ | PART # | | | |
| TOLERANCES UNLESS NOTED .XX=±.010 .XXX=±.005 FRAC.=±1/64 ANG.=±1° | SHEET: 1 OF 1 | SHEET SIZE: B | DT: 08/12/04 | CHKD: RG | SEE TABLE | | |
| RE: RICHCO, INC. | | RICHCO, INC. ENG@RICHCO-INC.COM (773) 539-4060 | | PRINT TYPE | | CA | |

AMEYA360

Components Supply Platform

Authorized Distribution Brand :



Website :

Welcome to visit www.ameya360.com

Contact Us :

➤ Address :

401 Building No.5, JiuGe Business Center, Lane 2301, Yishan Rd
Minhang District, Shanghai , China

➤ Sales :

Direct +86 (21) 6401-6692

Email amall@ameya360.com

QQ 800077892

Skype [ameyasales1](#) [ameyasales2](#)

➤ Customer Service :

Email service@ameya360.com

➤ Partnership :

Tel +86 (21) 64016692-8333

Email mkt@ameya360.com