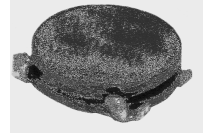
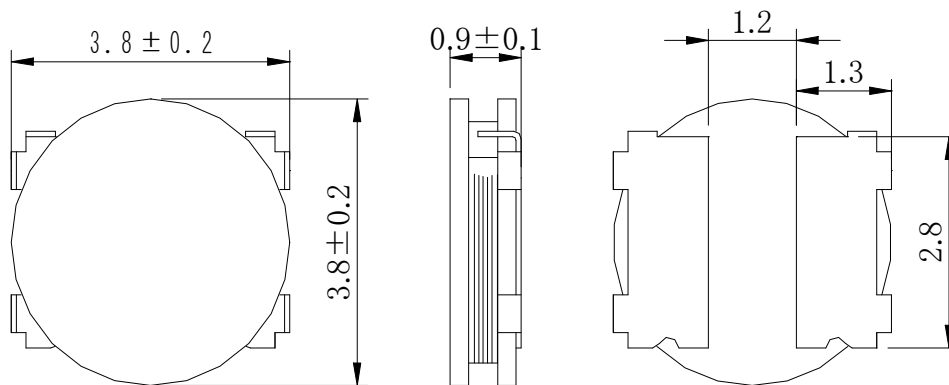
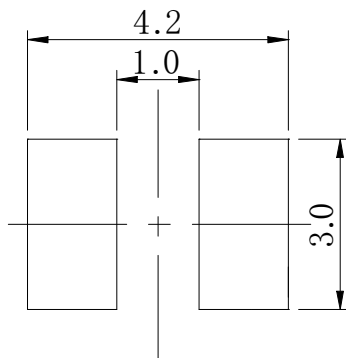


**Type: CDH38D09, CDH38D09/SHP, CDH38D09/SLD**
**◆ Product Description**

- 4.0×4.0mm Max.(L×W), 1.0mm Max. Height.
- Inductance range: 1.2~22 μ H (CDH38D09);  
2.5~22 μ H (CDH38D09/SHP);2.7~33 μ H(CDH38D09/SLD),
- Rated current range:0.45~1.35A (CDH38D09);  
0.52~1.6A (CDH38D09/SHP);0.3~1.08A (CDH38D09/SLD)
- Custom design is available.


**◆ Feature**

- Magnetically unshielded construction.
- Ideally used in Mobilephone,PDA,MP3,DSC/DVC,HDD,etc as DC-DC Converter inductors.
- RoHS Compliance

**◆ Dimensions (mm)**

**◆ Land Pattern (mm)**


**Type: CDH38D09, CDH38D09/SHP, CDH38D09/SLD**
**◆ Specification(CDH38D09 )**

| Part Name<br>※   | Stamp | Inductance<br>( $\mu$ H)<br>100kHz/1V | D.C.R.( $\Omega$ )<br>Max.(Typ.)<br>( 20°C) | Saturation Current<br>(A) ※1-1 |       | Temperature<br>Rise current<br>(A) ※2 |
|------------------|-------|---------------------------------------|---|--------------------------------|-------|---------------------------------------|
|                  |       |                                       |   | 20°C                           | 105°C |                                       |
| CDH38D09NP-1R2M□ | 1R2   | 1.2±20%                               | 0.14(0.11)                                  | 1.90                           | 1.60  | 1.35                                  |
| CDH38D09NP-1R5M□ | 1R5   | 1.5±20%                               | 0.16(0.13)                                  | 1.70                           | 1.40  | 1.25                                  |
| CDH38D09NP-2R2M□ | 2R2   | 2.2±20%                               | 0.19(0.15)                                  | 1.50                           | 1.25  | 1.15                                  |
| CDH38D09NP-2R7M□ | 2R7   | 2.7±20%                               | 0.21(0.17)                                  | 1.35                           | 1.15  | 1.10                                  |
| CDH38D09NP-3R3M□ | 3R3   | 3.3±20%                               | 0.24(0.19)                                  | 1.25                           | 1.00  | 1.00                                  |
| CDH38D09NP-4R7M□ | 4R7   | 4.7±20%                               | 0.30(0.24)                                  | 1.10                           | 0.85  | 0.95                                  |
| CDH38D09NP-6R8M□ | 6R8   | 6.8±20%                               | 0.39(0.31)                                  | 0.90                           | 0.72  | 0.85                                  |
| CDH38D09NP-8R2M□ | 8R2   | 8.2±20%                               | 0.50(0.40)                                  | 0.80                           | 0.65  | 0.75                                  |
| CDH38D09NP-100M□ | 100   | 10.0±20%                              | 0.58(0.47)                                  | 0.7                            | 0.60  | 0.70                                  |
| CDH38D09NP-150M□ | 150   | 15.0±20%                              | 0.87(0.69)                                  | 0.60                           | 0.50  | 0.55                                  |
| CDH38D09NP-220M□ | 220   | 22.0±20%                              | 1.14(0.91)                                  | 0.50                           | 0.40  | 0.45                                  |

**◆ Specification (CDH38D09/SHP)**

| Part Name<br>※      | Stamp | Inductance<br>( $\mu$ H)<br>100kHz/1V | D.C.R.(m $\Omega$ )<br>( 20°C) | Saturation<br>Current<br>(A) ※1-2 | Temperature<br>Rise current<br>(A) ※2 |
|---------------------|-------|---------------------------------------|--------------------------------|-----------------------------------|---------------------------------------|
| CDH38D09SHPNP-2R5M□ | 2R5   | 2.5±20%                               | 110±20%                        | 1.60                              | 1.6                                   |
| CDH38D09SHPNP-3R3M□ | 3R3   | 3.3±20%                               | 132±20%                        | 1.48                              | 1.45                                  |
| CDH38D09SHPNP-3R8M□ | 3R8   | 3.8±20%                               | 165±20%                        | 1.30                              | 1.30                                  |
| CDH38D09SHPNP-4R7M□ | 4R7   | 4.7±20%                               | 185±20%                        | 1.24                              | 1.22                                  |
| CDH38D09SHPNP-5R4M□ | 5R4   | 5.4±20%                               | 245±20%                        | 1.08                              | 1.08                                  |
| CDH38D09SHPNP-6R0M□ | 6R0   | 6.0±20%                               | 270±20%                        | 1.04                              | 1.00                                  |
| CDH38D09SHPNP-7R4M□ | 7R4   | 7.4±20%                               | 335±20%                        | 0.88                              | 0.9                                   |
| CDH38D09SHPNP-8R2M□ | 8R2   | 8.2±20%                               | 365±20%                        | 0.84                              | 0.85                                  |
| CDH38D09SHPNP-100M□ | 100   | 10±20%                                | 472±20%                        | 0.75                              | 0.78                                  |
| CDH38D09SHPNP-120M□ | 120   | 12±20%                                | 543±20%                        | 0.66                              | 0.74                                  |
| CDH38D09SHPNP-150M□ | 150   | 15±20%                                | 612±20%                        | 0.6                               | 0.68                                  |
| CDH38D09SHPNP-180M□ | 180   | 18±20%                                | 896±20%                        | 0.56                              | 0.55                                  |
| CDH38D09SHPNP-220M□ | 220   | 22±20%                                | 983±20%                        | 0.52                              | 0.53                                  |

**Type: CDH38D09, CDH38D09/SHP, CDH38D09/SLD**
**◆ Specification (CDH38D09/SLD)**

| Part Name<br>※      | Stamp | Inductance<br>( $\mu$ H)<br>100kHz/1V | D.C.R.(m $\Omega$ )<br>(20 $^{\circ}$ C) | Saturation<br>Current<br>(A) ※1-2 | Temperature<br>Rise current<br>(A) ※2 |
|---------------------|-------|---------------------------------------|--|-----------------------------------|---------------------------------------|
| CDH38D09SLDNP-2R7M□ | 2R7   | 2.7 $\pm$ 20%                         | 98 $\pm$ 20%                             | 1.08                              | 1.70                                  |
| CDH38D09SLDNP-3R3M□ | 3R3   | 3.3 $\pm$ 20%                         | 110 $\pm$ 20%                            | 0.90                              | 1.60                                  |
| CDH38D09SLDNP-3R9M□ | 3R9   | 3.9 $\pm$ 20%                         | 125 $\pm$ 20%                            | 0.80                              | 1.48                                  |
| CDH38D09SLDNP-4R7M□ | 4R7   | 4.7 $\pm$ 20%                         | 140 $\pm$ 20%                            | 0.76                              | 1.40                                  |
| CDH38D09SLDNP-5R4M□ | 5R4   | 5.4 $\pm$ 20%                         | 175 $\pm$ 20%                            | 0.74                              | 1.20                                  |
| CDH38D09SLDNP-6R4M□ | 6R4   | 6.4 $\pm$ 20%                         | 195 $\pm$ 20%                            | 0.70                              | 1.16                                  |
| CDH38D09SLDNP-6R8M□ | 6R8   | 6.8 $\pm$ 20%                         | 210 $\pm$ 20%                            | 0.66                              | 1.12                                  |
| CDH38D09SLDNP-8R2M□ | 8R2   | 8.2 $\pm$ 20%                         | 274 $\pm$ 20%                            | 0.60                              | 0.98                                  |
| CDH38D09SLDNP-100M□ | 100   | 10 $\pm$ 20%                          | 320 $\pm$ 20%                            | 0.57                              | 0.92                                  |
| CDH38D09SLDNP-120M□ | 120   | 12 $\pm$ 20%                          | 385 $\pm$ 20%                            | 0.50                              | 0.85                                  |
| CDH38D09SLDNP-150M□ | 150   | 15 $\pm$ 20%                          | 439 $\pm$ 20%                            | 0.46                              | 0.78                                  |
| CDH38D09SLDNP-180M□ | 180   | 18 $\pm$ 20%                          | 588 $\pm$ 20%                            | 0.42                              | 0.68                                  |
| CDH38D09SLDNP-220M□ | 220   | 22 $\pm$ 20%                          | 650 $\pm$ 20%                            | 0.37                              | 0.62                                  |
| CDH38D09SLDNP-270M□ | 270   | 27 $\pm$ 20%                          | 930 $\pm$ 20%                            | 0.33                              | 0.55                                  |
| CDH38D09SLDNP-330M□ | 330   | 33 $\pm$ 20%                          | 1049 $\pm$ 20%                           | 0.30                              | 0.50                                  |

**※ Description of part name**

CDH38D09SHPNP-2R5M□  
 □ B Box  
 □ C Carrier Tape

※1-1.Saturation Current: The DC current at which the inductance decreases to 65% of its nominal value.

※1-2.Saturation Current: The DC current at which the inductance decreases to 70% of its nominal value.

※2 Temperature rise current: The DC current at which the temperature rise is  $\Delta t=40^{\circ}\text{C}$  ( $T_a=20^{\circ}\text{C}$ )

# AMEYA360

## Components Supply Platform

### Authorized Distribution Brand :



### Website :

Welcome to visit [www.ameya360.com](http://www.ameya360.com)

### Contact Us :

#### ➤ Address :

401 Building No.5, JiuGe Business Center, Lane 2301, Yishan Rd  
Minhang District, Shanghai , China

#### ➤ Sales :

Direct +86 (21) 6401-6692

Email [amall@ameya360.com](mailto:amall@ameya360.com)

QQ 800077892

Skype [ameyasales1](#) [ameyasales2](#)

#### ➤ Customer Service :

Email [service@ameya360.com](mailto:service@ameya360.com)

#### ➤ Partnership :

Tel +86 (21) 64016692-8333

Email [mkt@ameya360.com](mailto:mkt@ameya360.com)