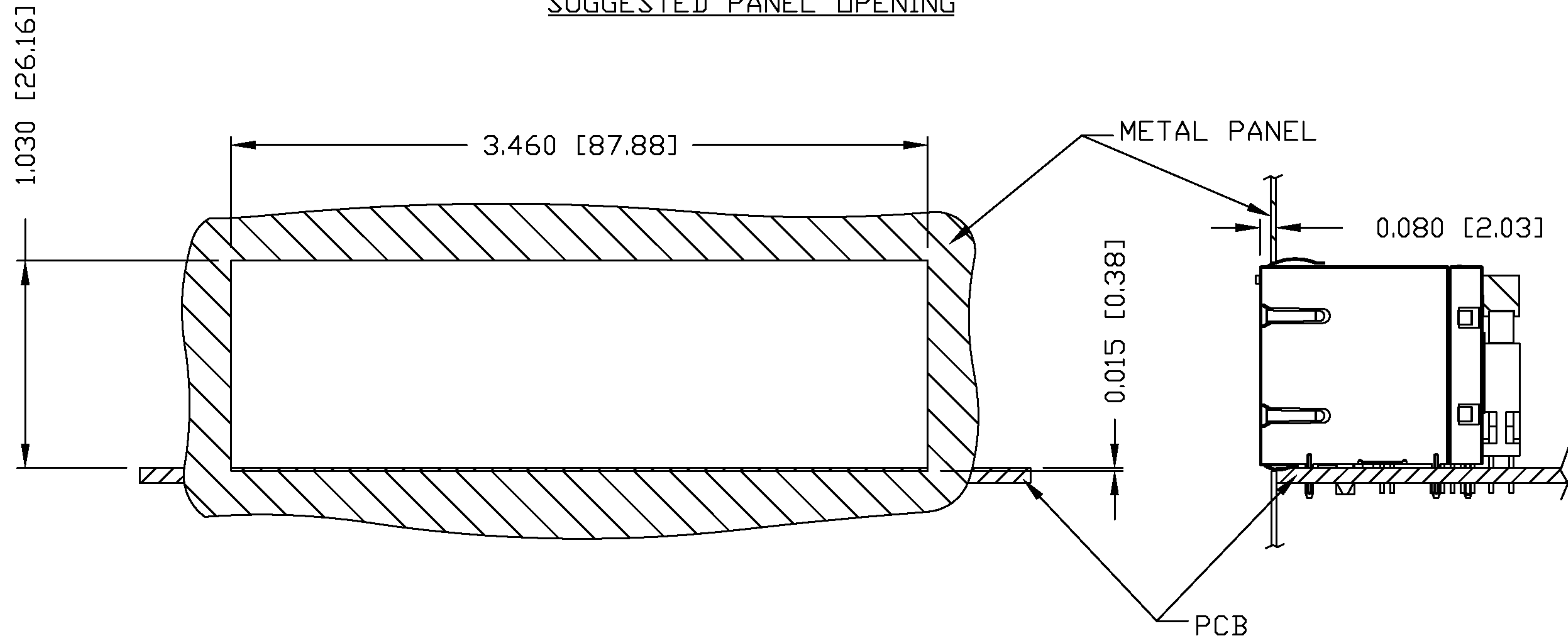


THE INFORMATION CONTAINED HEREIN IS CONSIDERED "PROPRIETARY" TO BEL FUSE INC. AND SHALL NOT BE COPIED, REPRODUCED OR DISCLOSED WITHOUT THE WRITTEN APPROVAL OF BEL FUSE INC.

RoHS  
2002/95/EC



SUGGESTED PANEL OPENING



**NOTE:**  
THE DISTANCE OF PANEL INSIDE SURFACE RELATIVE TO FRONT SURFACE OF PART IS ONLY A SUGGESTION. IN CASE THIS DISTANCE IS DIFFERENT, THE REQUIRED PANEL OPENING DIMENSIONS CHANGE ACCORDINGLY.

PACKING INFORMATION

PACKING TRAY : 0200-9999-E1 (TOP)  
0200-9999-F5 (BOTTOM)

PACKING QUANTITY : 15 PCS FINISHED GOODS PER TRAY  
6 TRAYS (90 PCS FINISHED GOODS) PER CARTON BOX

NOTE : CARDBOARDS ARE PLACED BETWEEN LAYERS OF PACKING TRAY INSIDE CARTON BOX  
(INCLUDE THE UPPERMOST AND LOWERMOST TRAY)

ORIGINATED BY QIN	DATE 03-04-06	TITLE 2X6 10/100 MagJack® VOIP/POE W/LED 0864-2X6R-55-F	PART NO. / DRAWING NO. 08642X6R55-F	STANDARD DIM. TOL. IN INCH	[ ] METRIC DIM. AS REFERENCE	
	DRAWN BY TING		DATE 03-04-06	FILE NAME 08642X6R55-FA.DWG	.X .XX .XXX	UNIT : INCH [mm]
				±0.004	SCALE : N/A	SIZE : A4
						PAGE : 6



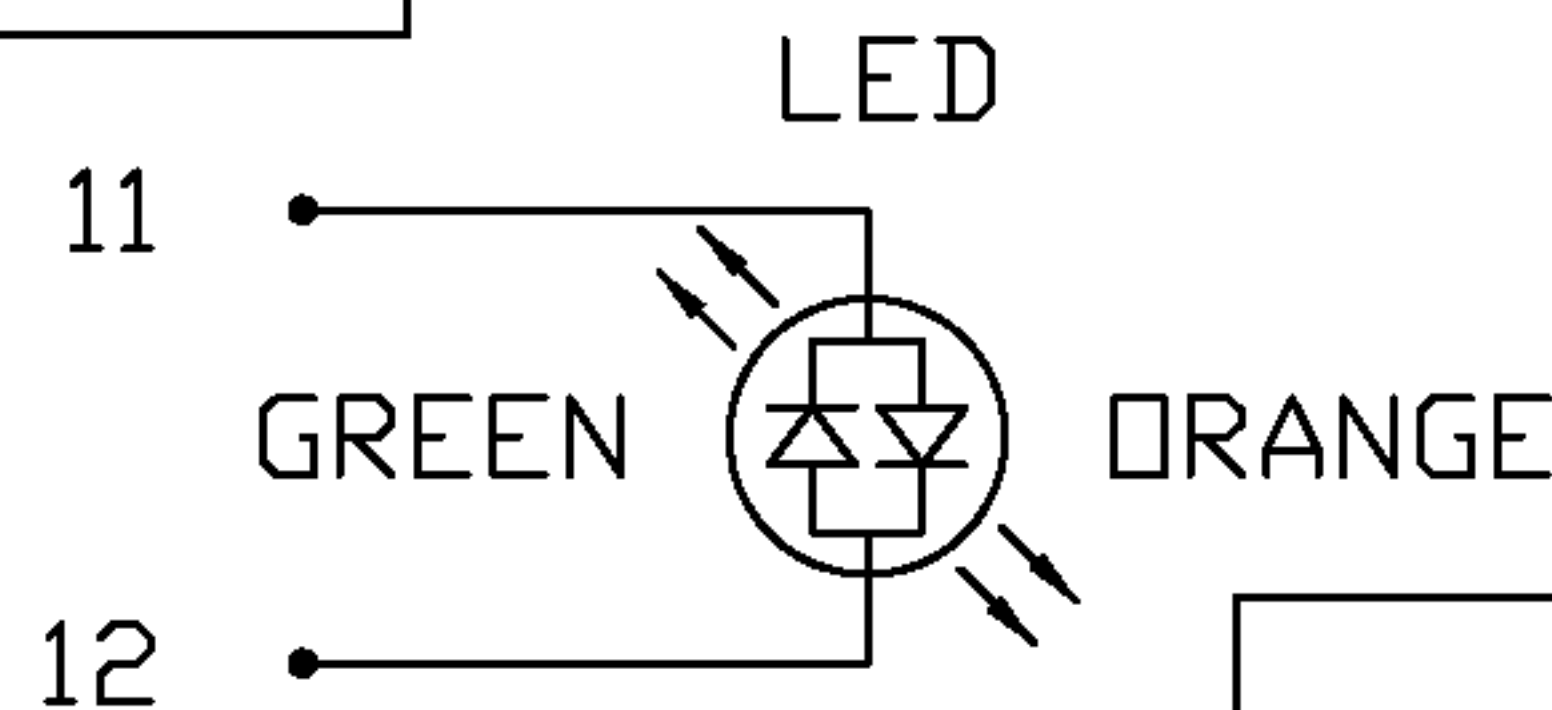
THE INFORMATION CONTAINED HEREIN IS CONSIDERED 'PROPRIETARY' TO BEL FUSE INC. AND SHALL NOT BE COPIED, REPRODUCED OR DISCLOSED WITHOUT THE WRITTEN APPROVAL OF BEL FUSE INC.



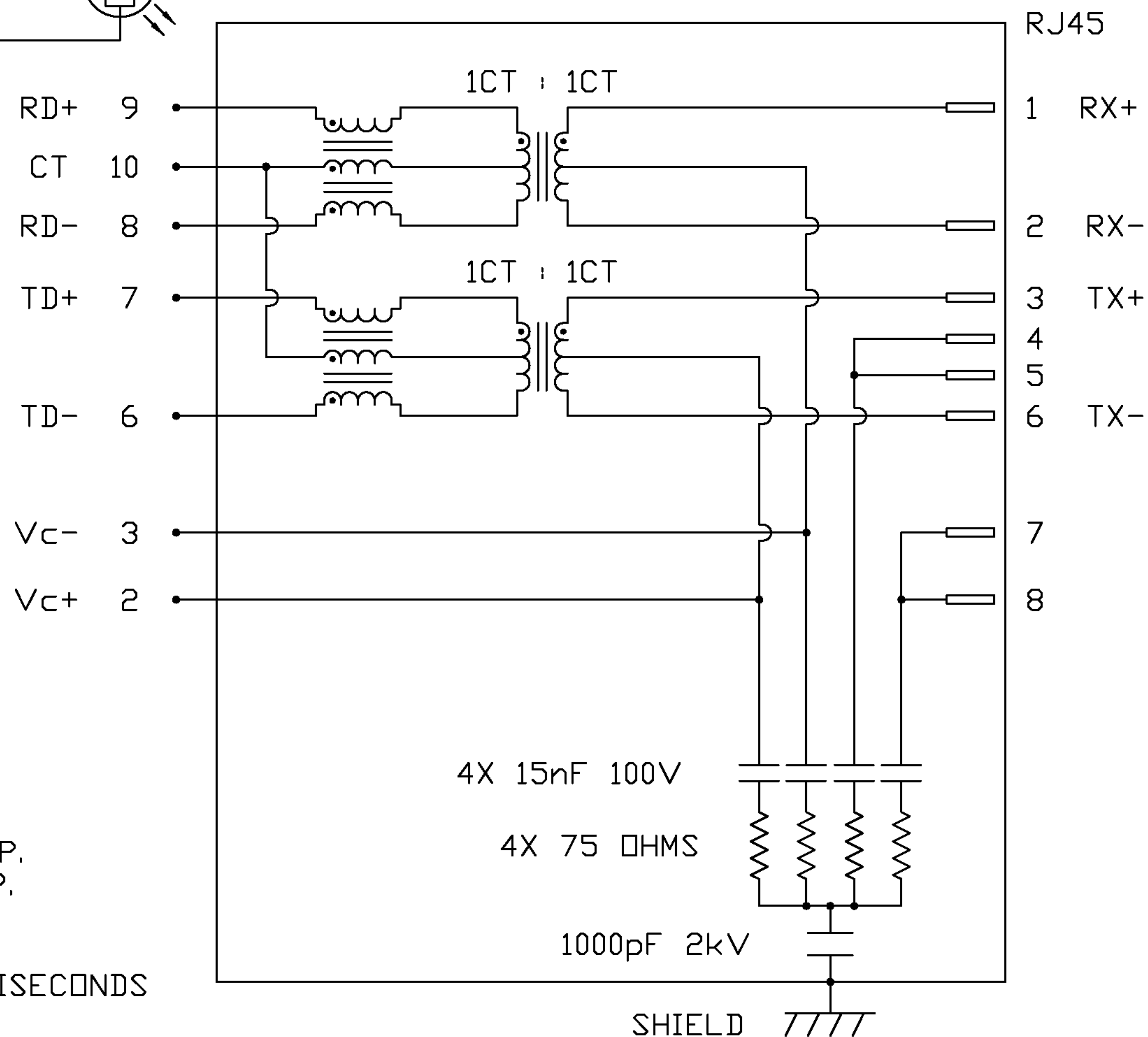
LED POLARITY		
PIN 11	PIN 12	COLOR
-	+	GREEN
+	-	ORANGE

ELECTRICAL CHARACTERISTICS @ 25°C

<p>URNS RATIO          OCL @ 0.1V, 100KHz          8mA DC BIAS          INSERTION LOSS          100KHz TO 100MHz          RETURN LOSS (MIN.)          2MHz-30MHz          60MHz-80MHz          LEAKAGE INDUCTANCE          PRIMARY W/ SECONDARY SHORTED          D.C. RESISTANCE          (9-8)=(7-6)          (RJ1-RJ2)=(RJ3-RJ6)          INTERWINDING CAPACITANCE          PER CHANNEL (PRI. to SEC.)          CROSSTALK          100KHz TO 100MHz          HIPOT (Isolation Voltage):          100% OF PRODUCT TESTED IN PRODUCTION          LED          VF (FORWARD VOLTAGE)          λD (DOMINANT WAVELENGTH)          BALANCED DC LINE CURRENT</p>	<p>1CT : 1CT ±2%          350µH MIN.          -1.5 dB MAX.          -16 dB MIN.          -10 dB MIN.          0.25µH MAX. @ 1MHz          1.40 OHM MAX.          1.0 OHM MAX.          40 pF MAX.          -30 dB MIN.          2250 VDC          350 mA MAX. @ 57 VDC CONTINUOUS          500 mA MAX. @ 57 VDC FOR 200 MILLISECONDS</p>	<p>IF=20mA GREEN 2.2V TYP.          ORANGE 2.0V TYP.          IF=20mA GREEN 565nm TYP.          ORANGE 610nm TYP.</p>
----------------------------------------------------------------------------------------------------------------------------------------------------------------------------------------------------------------------------------------------------------------------------------------------------------------------------------------------------------------------------------------------------------------------------------------------------------------------------------------------------------------------------------------------------------------------------------------------------------------------------------------------------------------------------------------------------------------------------------------------------	------------------------------------------------------------------------------------------------------------------------------------------------------------------------------------------------------------------------------------------------------------------------------------------------------------------------------------------------------------------------------------------	-----------------------------------------------------------------------------------------------------------------------------------



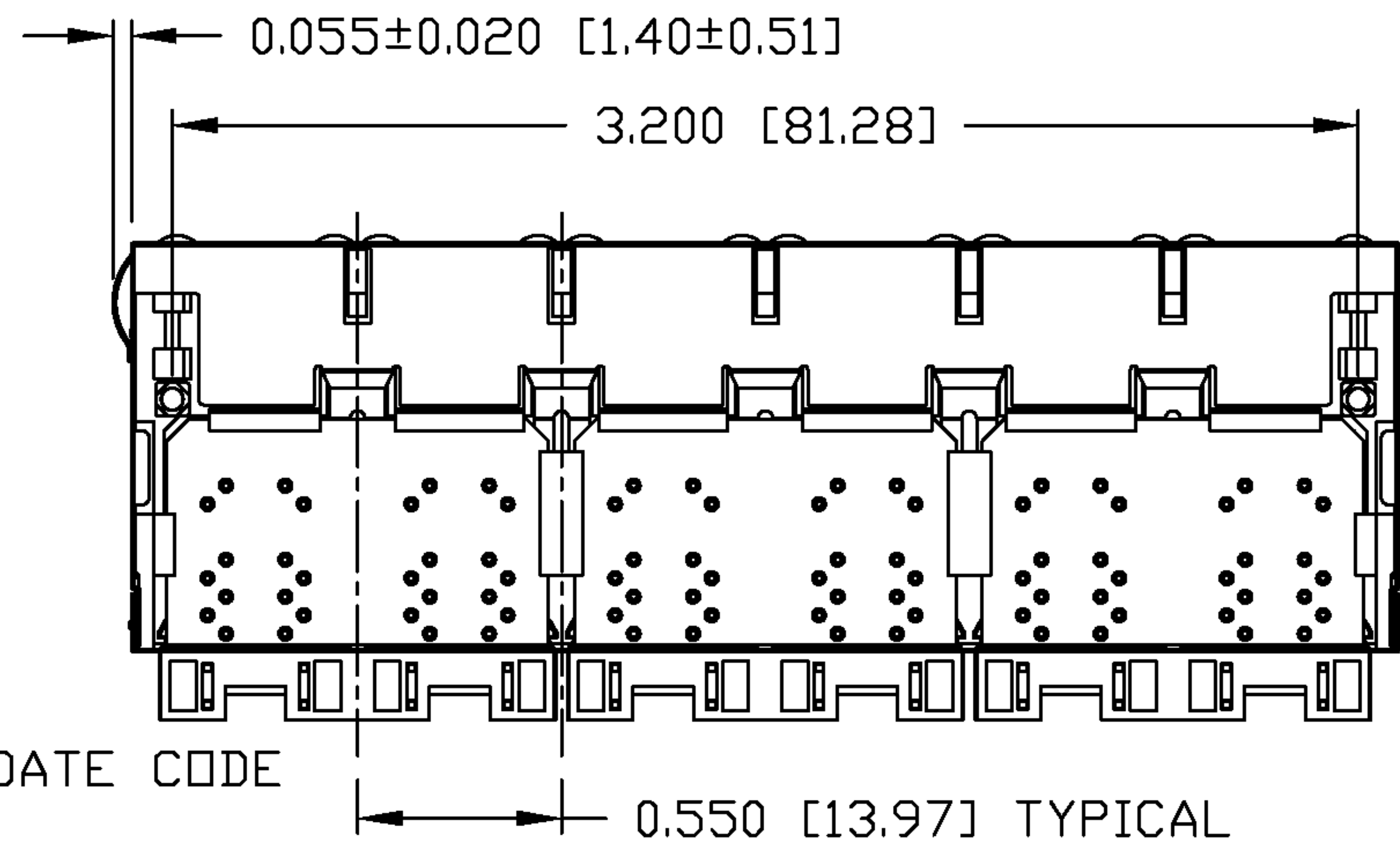
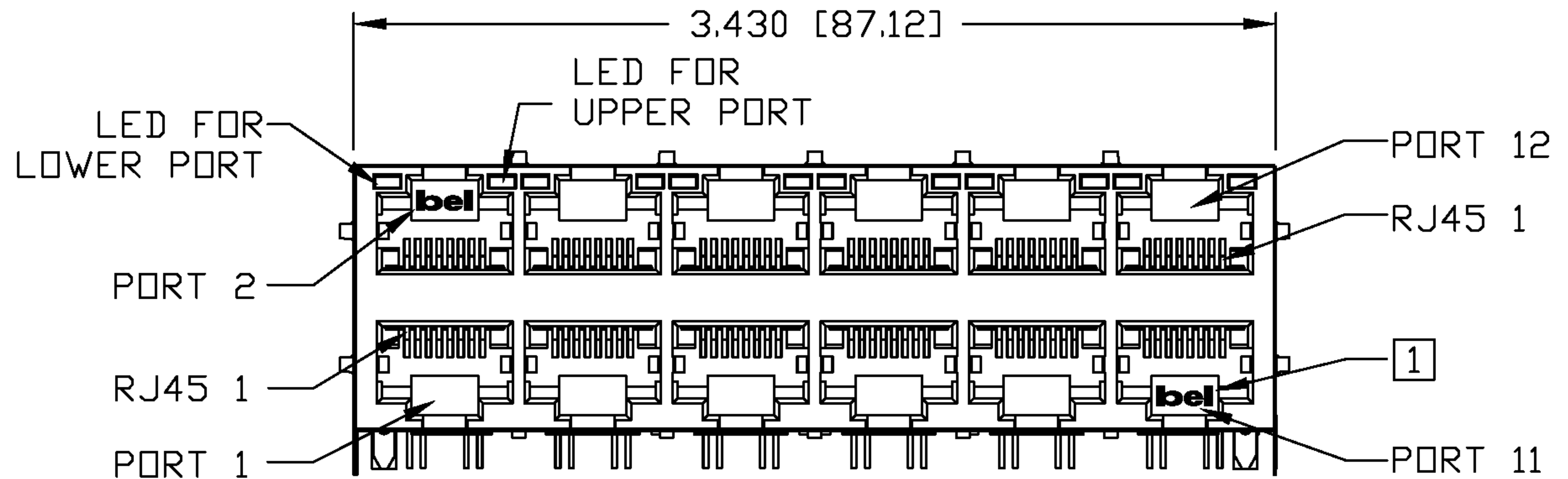
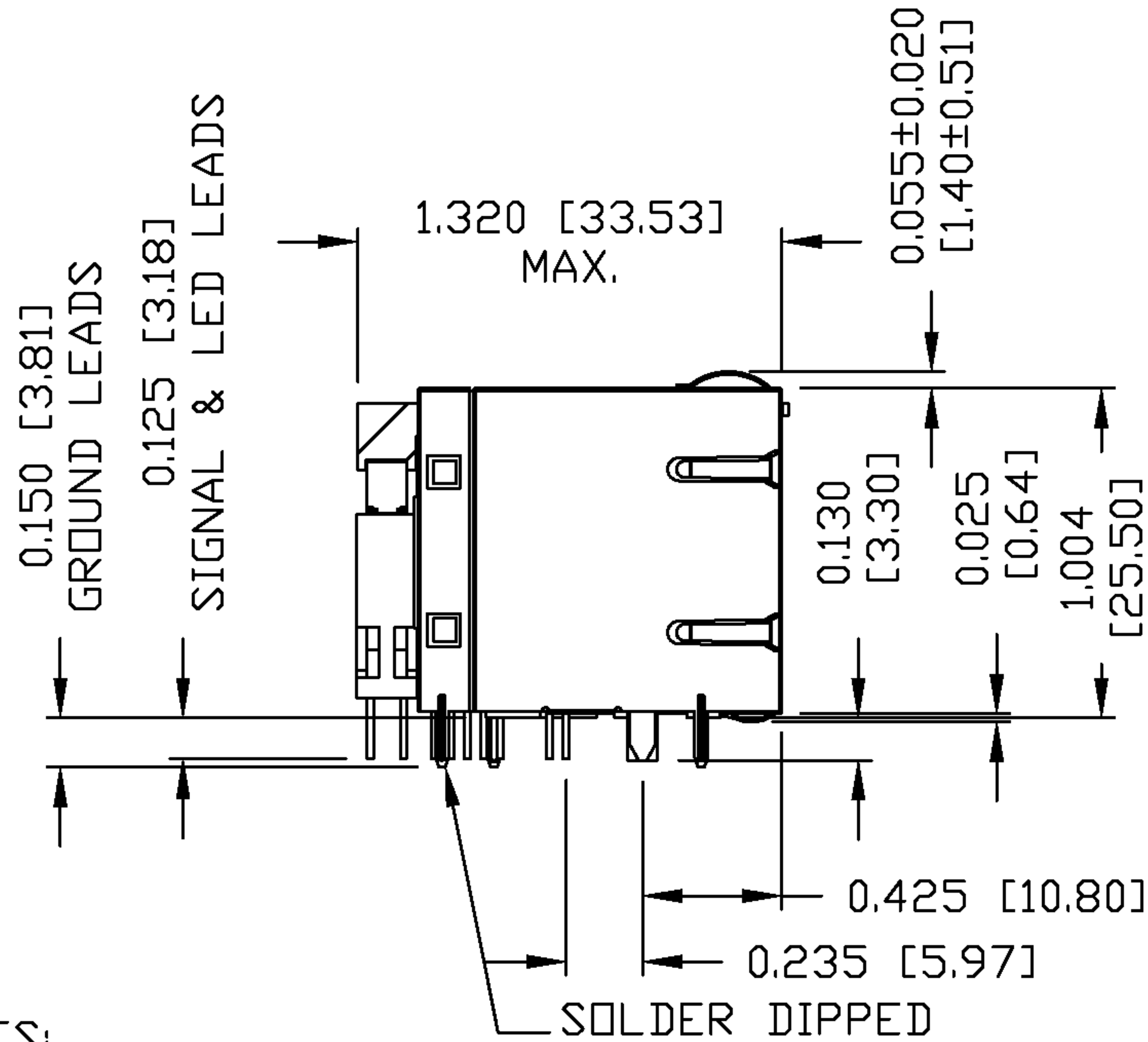
SCHEMATIC



<p>ORIGINATED BY CHUNG</p>	<p>DATE 03-04-06</p>	<p>TITLE 2X6 10/100 MagJack® VOIP/PDE W/LED</p>	<p>PART NO. / DRAWING NO. 08642X6R55-F</p>	<p>STANDARD DIM. TOL. IN INCH</p>	<p>[ ] METRIC DIM. AS REFERENCE</p>	<p><b>bel</b> COMPONENTS FOR A CONNECTED PLANET</p>	
<p>DRAWN BY DE</p>	<p>DATE 03-04-06</p>	<p>FILE NAME 0864-2X6R-55-F</p>	<p>08642X6R55-FA.DWG</p>	<p>.X .XX .XXX</p>	<p>UNIT : INCH [mm] SCALE : N/A</p>		<p>REV. : A SIZE : A4 PAGE : 2</p>

THE INFORMATION CONTAINED HEREIN IS CONSIDERED "PROPRIETARY" TO BEL FUSE INC. AND SHALL NOT BE COPIED, REPRODUCED OR DISCLOSED WITHOUT THE WRITTEN APPROVAL OF BEL FUSE INC.

RoHS  
2002/95/EC



**NOTES:**

- PLASTIC HOUSING: THERMOPLASTIC PBT  
FLAMMABILITY RATING UL 94V-0
- CONTACT PLATING: 50 MICRO-INCH HARD GOLD PLATING
- OUTPUT PINS: TIN-COATED COPPER WIRE, DIA 0.018 INCH.
- METAL SHIELD: NICKEL PLATED ON COPPER ALLOY.  
(ALL GROUND LEADS ARE SOLDER DIPPED)

- [1] JACK CAVITY CONFORMS TO FCC RULES AND REGULATIONS, PART 68 SUBPART F.
- [2] MARK PART WITH MFG LOGO MFG, NAME, PART NUMBER, AND DATE CODE

**c us** UL RECOGNIZED - FILE #E196366 AND E169987.  
RoHS COMPLIANCE, PER EU DIRECTIVE 2002/95/EC.

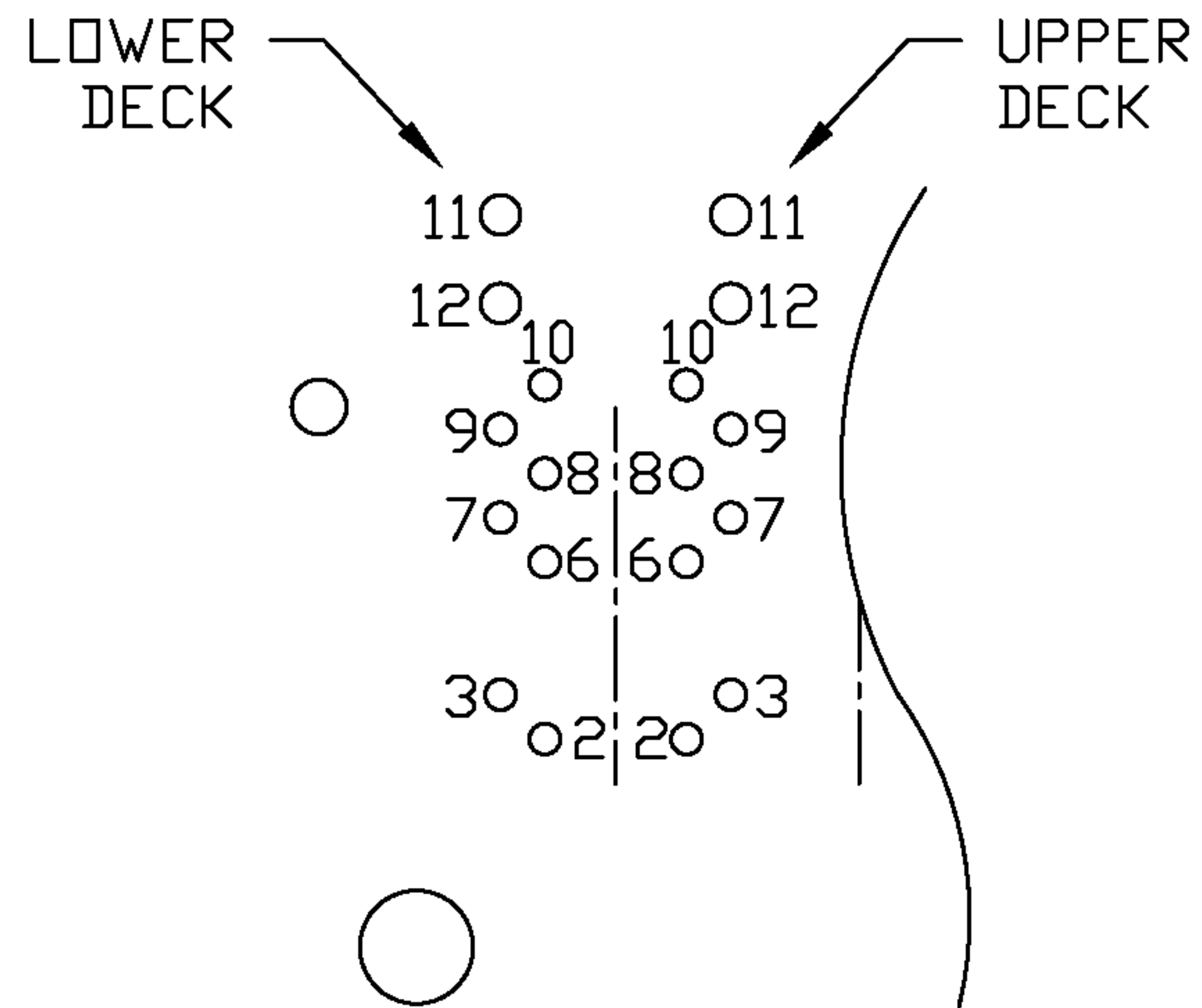
ORIGINATED BY QIN	DATE 03-04-06	TITLE 2X6 10/100 MagJack® VOIP/POE W/LED 0864-2X6R-55-F	PART NO. / DRAWING NO. 08642X6R55-F		STANDARD DIM. TOL. IN INCH		[ ] METRIC DIM. AS REFERENCE	
	DRAWN BY TING		DATE 03-04-06	FILE NAME 08642X6R55-FA.DWG	.X .XX .XXX	±0.010	UNIT : INCH [mm] SCALE : N/A	REV. : A SIZE : A4 PAGE : 3





THE INFORMATION CONTAINED HEREIN IS CONSIDERED "PROPRIETARY" TO BEL FUSE INC. AND SHALL NOT BE COPIED, REPRODUCED OR DISCLOSED WITHOUT THE WRITTEN APPROVAL OF BEL FUSE INC.

RoHS  
2002/95/EC

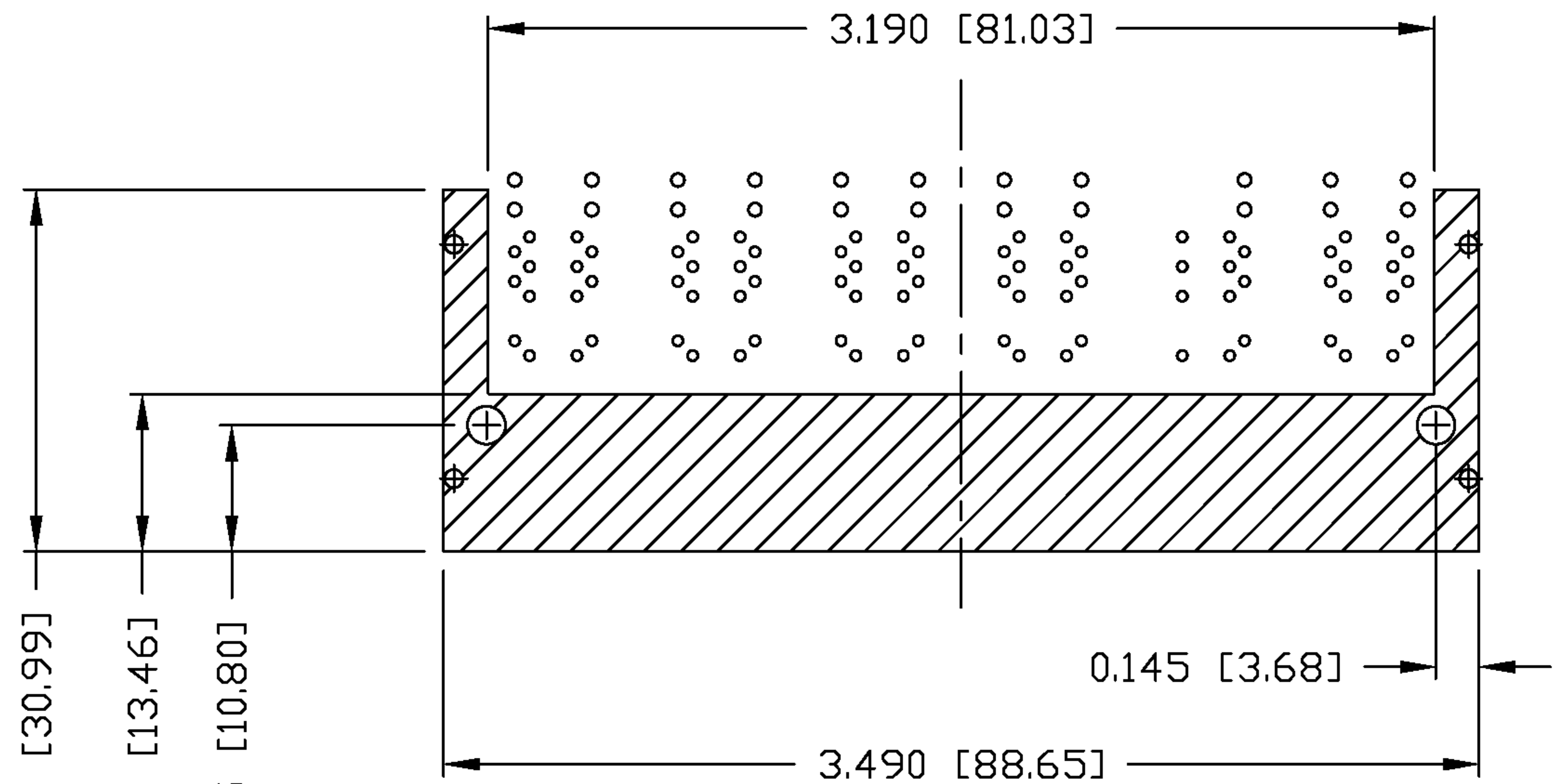
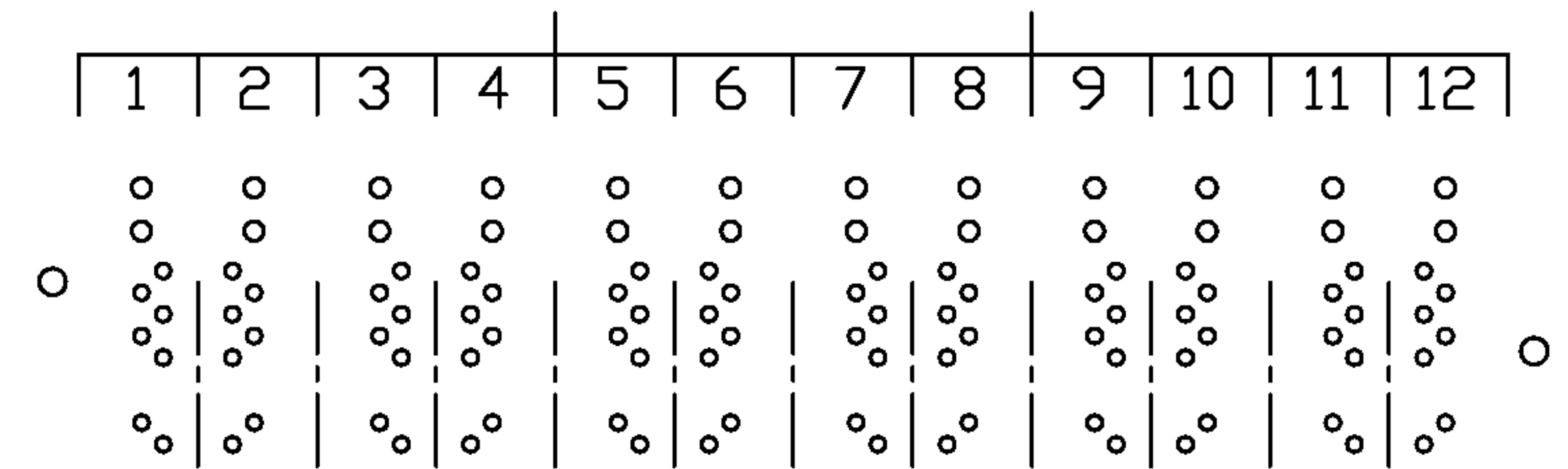


PIN-OUT INFORMATION  
(COMPONENT SIDE VIEW)

12	GRN (+)/DRG (-)
11	GRN (-)/DRG (+)
10	COMMON CT
9	RD+
8	RD-
7	TD+
6	TD-
5	NO PIN
4	NO PIN
3	Vc-
2	Vc+
1	NO PIN

UNUSED PIN LOCATIONS MUST BE REMOVED TO ENSURE 2KV ISOLATION.

PORT ASSIGNMENT  
(COMPONENT SIDE VIEW)

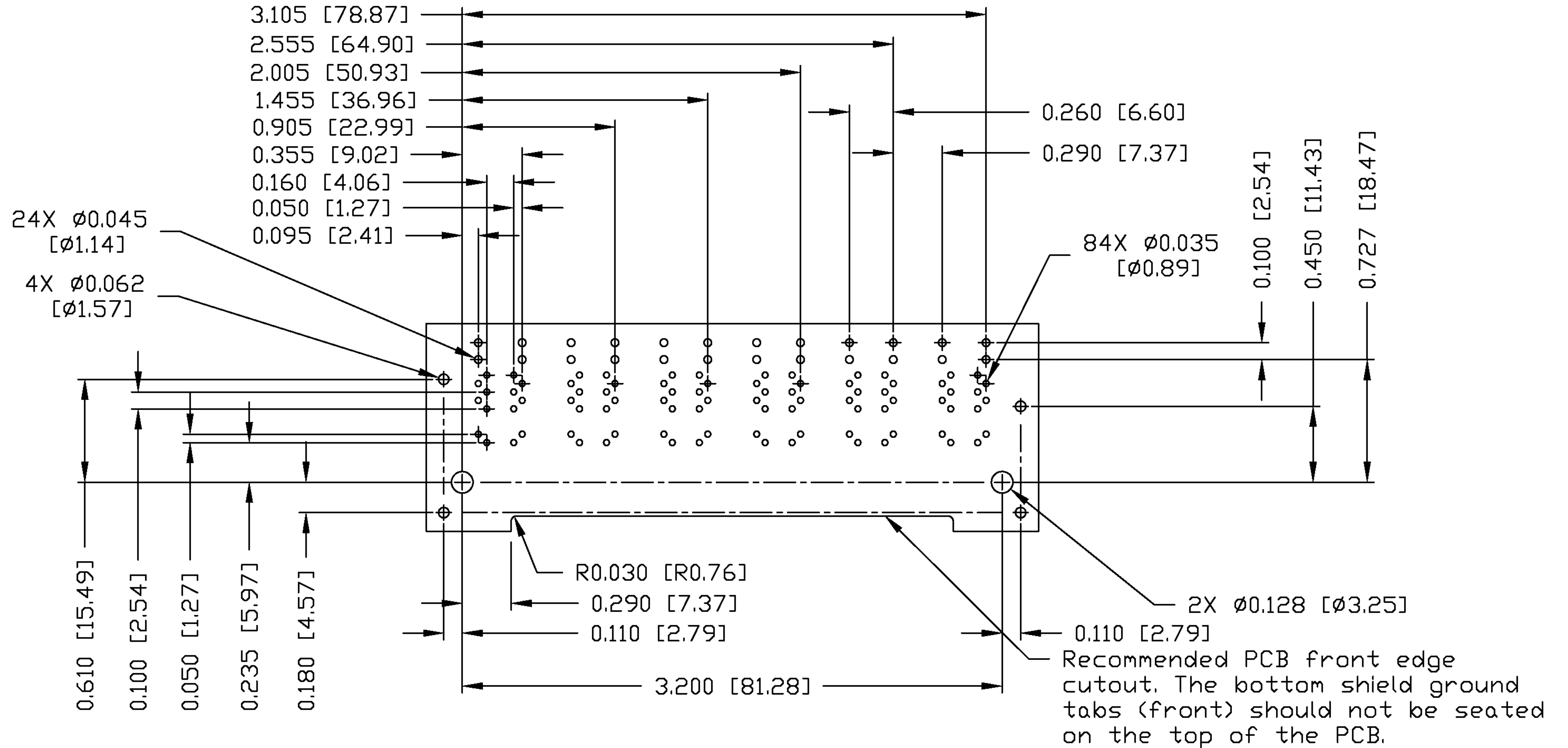


THE SHADED AREA ON THE CUSTOMER BOARD ARE RECOMMENDED TO BE CLEAR OFF ANY VIA HOLE OR COMPONENT PAD.

ORIGINATED BY QIN	DATE 03-04-06	TITLE 2X6 10/100 MagJack® VOIP/PDE W/LED 0864-2X6R-55-F	PART NO. / DRAWING NO. 08642X6R55-F		STANDARD DIM. TOL. IN INCH		[ ] METRIC DIM. AS REFERENCE		 COMPONENTS FOR A CONNECTED PLANET
DRAWN BY TING	DATE 03-04-06		FILE NAME 08642X6R55-FA.DWG	.X		UNIT : INCH [mm]	REV. : A		
			.XX		SCALE : N/A	SIZE : A4			
			.XXX	±0.004		PAGE : 4			

THE INFORMATION CONTAINED HEREIN IS CONSIDERED "PROPRIETARY" TO BEL FUSE INC. AND SHALL NOT BE COPIED, REPRODUCED OR DISCLOSED WITHOUT THE WRITTEN APPROVAL OF BEL FUSE INC.

RoHS  
2002/95/EC



SUGGESTED FOOTPRINT  
(COMPONENT SIDE VIEW)

ORIGINATED BY QIN	DATE 03-04-06	TITLE 2X6 10/100 MagJack® VOIP/POE W/LED 0864-2X6R-55-F	PART NO. / DRAWING NO. 08642X6R55-F	STANDARD DIM. TOL. IN INCH	[ ] METRIC DIM. AS REFERENCE	
DRAWN BY TING	DATE 03-04-06		FILE NAME 08642X6R55-FA.DWG	.X .XX .XXX	UNIT : INCH [mm] SCALE : N/A	REV. : A SIZE : A4 PAGE : 5



Authorized Distribution Brand :



Website :

Welcome to visit [www.ameya360.com](http://www.ameya360.com)

Contact Us :

> Address :

401 Building No.5, JiuGe Business Center, Lane 2301, Yishan Rd  
Minhang District, Shanghai , China

> Sales :

Direct +86 (21) 6401-6692

Email [amall@ameya360.com](mailto:amall@ameya360.com)

QQ 800077892

Skype ameyasales1 ameyasales2

> Customer Service :

Email [service@ameya360.com](mailto:service@ameya360.com)

> Partnership :

Tel +86 (21) 64016692-8333

Email [mkt@ameya360.com](mailto:mkt@ameya360.com)