

Downlight Cooler 48W LED Heat Sink

This LED Heatsink is part of the Aavid scalable LED portfolio.

Future proof – Designed with the rapidly evolving light engine industry in mind, thermal performance can be easily increased or decreased without a luminaire redesign by adding or removing a SynJet Cooler

Flexibility – Configure to order luminaire production process, use heatsinks for low lumen applications and the SynJet Cooler with heatsink for higher lumen versions

Freedom – Compatible with most major light engines so thermal solutions and mechanical interfaces do not have to be redesigned when changing light engines

Fast – In stock and ready for overnight delivery, worldwide



Specifications

Thermal¹

Thermal Wattage	Heatsink Θ_{s-a} ²	Heat Sink $T_{\text{Rise Above Ambient}}$
22 W	1.2 (°C/W)	26 (°C)
32 W	1.2 (°C/W)	37 (°C)
42 W	1.2 (°C/W)	48 (°C)

Mechanical

Material	ADC12 Al Cast
Finish	Black Ecoat
Weight	462g
Regulatory	RoHS

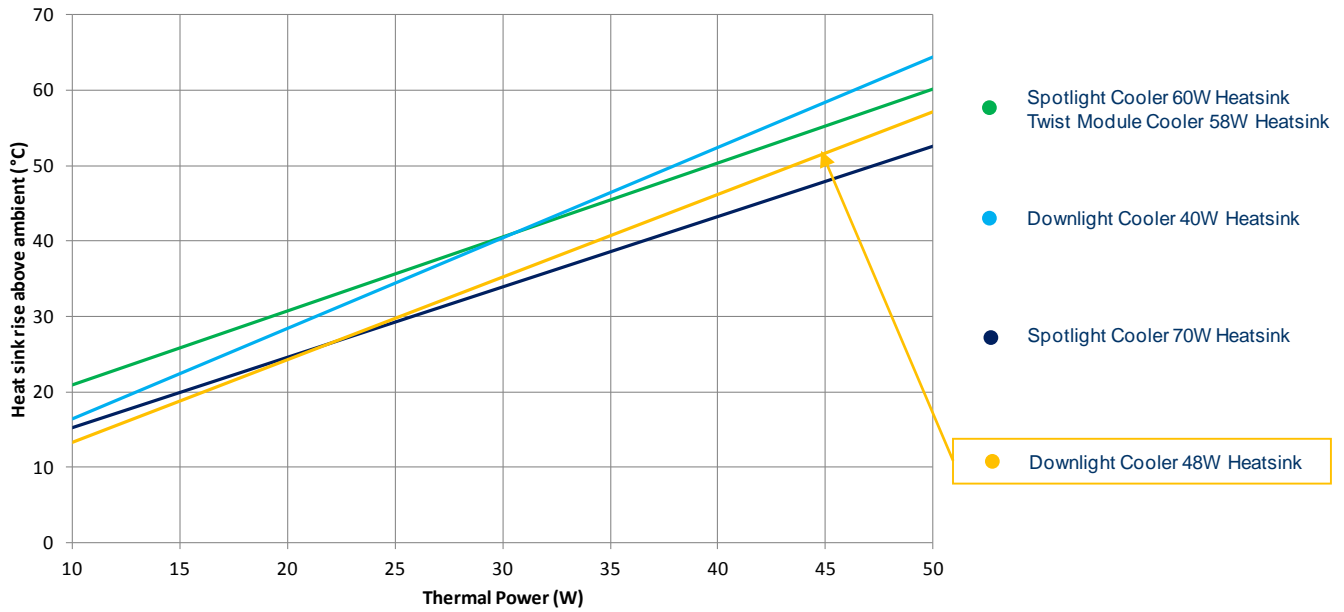
Size
Diameter: 138 mm
Height: 42 mm

The chart below summarizes the thermal performance of all round LED heatsink solutions with diameters from 118 to 138 mm.

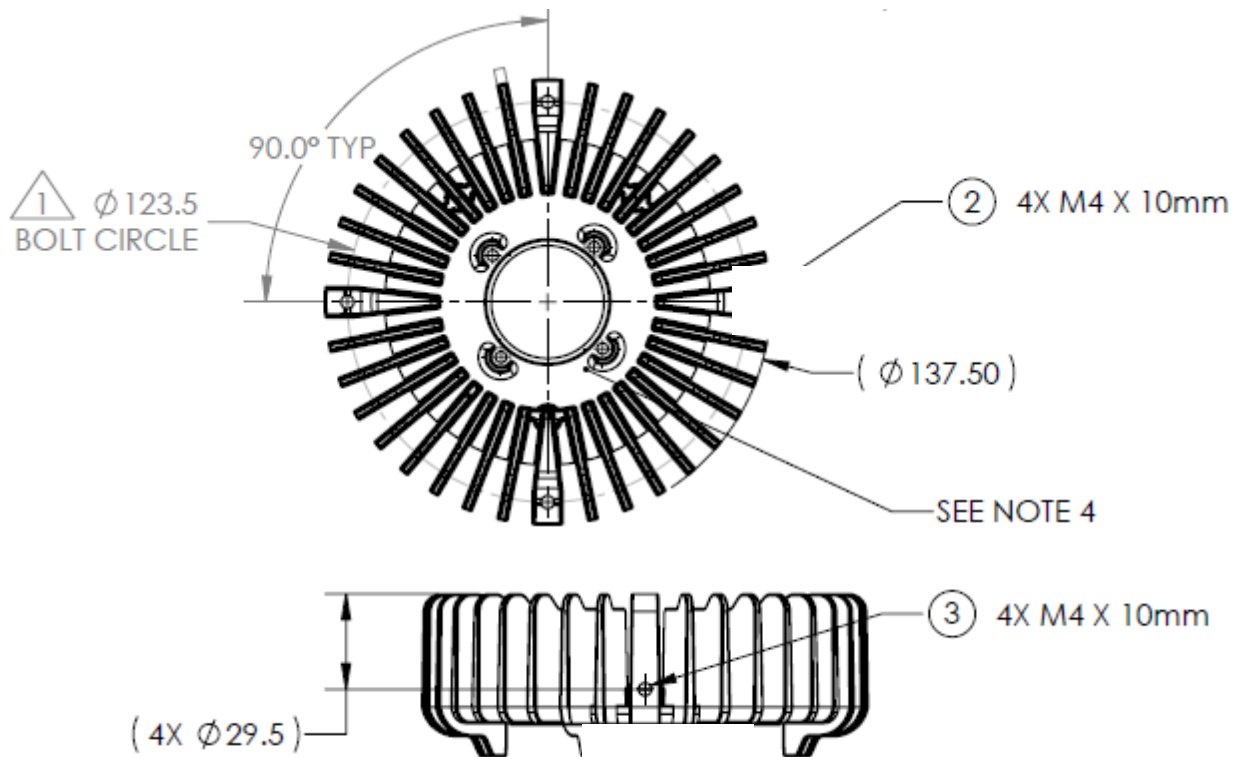
¹ All values are typical at 25°C unless otherwise stated.

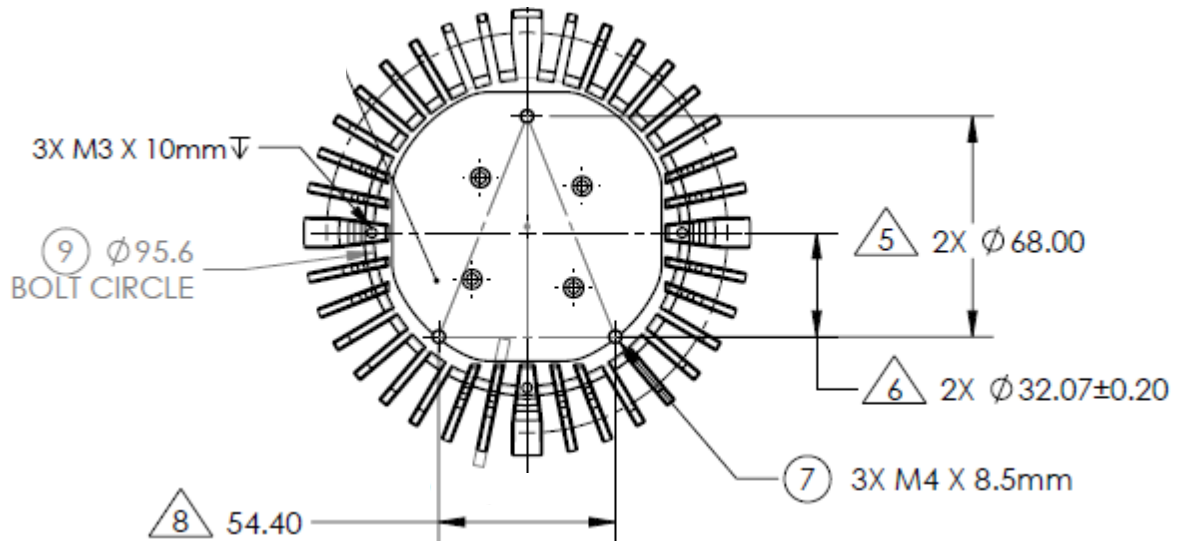
² Thermal resistance values are given as reference only and are measured in free air without airflow obstructions. Thermal resistance is measured from the bottom middle of the heat sink to ambient air with a heat source of 19 cm². Actual thermal performance may vary by application and final product design should be tested to assure proper thermal performance.

Heatsink Rise Above Ambient vs. Thermal Power
Round Heatsinks Diameter 118 to 138 mm



Mechanical – LED Heatsink shown with Configurable heat sink





All dimensions are nominal and in mm unless otherwise stated. See product drawings for more detail.

Part Numbers

Part Number	Description	Notes
HSSLS-CALBL-003	LED Heatsink, 48W, Downlight Cooler 140, Philips Fortimo and Lexel, Tridonic Stark DLE, Black	Contact sales for other heatsink options
HSSLS-CALCL-008	LED Heatsink, 48W, Philips Fortimo and Lexel, Tridonic Stark DLE, Silver	Contact sales for other heatsink options
HSSLS-CALCL-012	LED Heatsink, 48W, Philips DLM, Philips Fortimo Twistable, Tridonic Stark DLE, Zhaga Book 2 – Silver	Contact sales for other heatsink options
HSSLS-CALBL-013	LED Heatsink, 48W, Osram PrevaLED - Black	Contact sales for other heatsink options
HSSLS-CALBL-016	LED Heatsink, 48W, Philips Fortimo Twistable - Black	Contact sales for other heatsink options
HSSLS-CALCL-019	LED Heatsink, 48W, Bridgelux 13/18 - Silver	Contact sales for other heatsink options
HSSLS-CALCL-020	LED Heatsink, 48W, Bridgelux RS, Vero 29- Silver	Contact sales for other heatsink options
HSSLS-CALCL-021	LED Heatsink, 48W, CREE LMH2, Philips Fortimo/Lixel Stark DLE – Silver	Contact sales for other heatsink options

Aavid reserves the right to make changes to the products or information contained herein without notice. No liability is assumed as a result of their use or applications. For additional information, please contact Aavid directly.

AMEYA360

Components Supply Platform

Authorized Distribution Brand :



Website :

Welcome to visit www.ameya360.com

Contact Us :

➤ Address :

401 Building No.5, JiuGe Business Center, Lane 2301, Yishan Rd
Minhang District, Shanghai , China

➤ Sales :

Direct +86 (21) 6401-6692

Email amall@ameya360.com

QQ 800077892

Skype [ameyasales1](#) [ameyasales2](#)

➤ Customer Service :

Email service@ameya360.com

➤ Partnership :

Tel +86 (21) 64016692-8333

Email mkt@ameya360.com