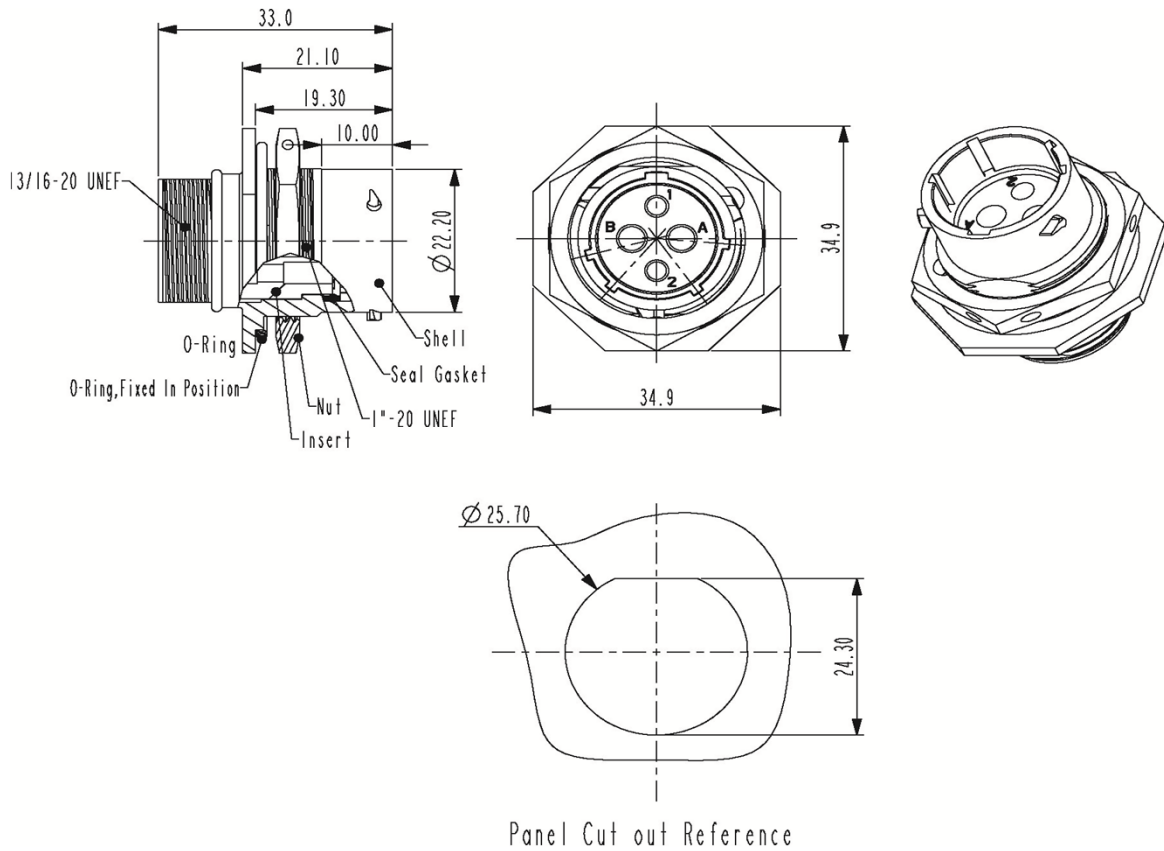


CONFIGURATION	PART NUMBER
Male Jamnut Receptacle, 4 Pin, 16Awg & 2.5mm , Shell 14	RT07142PNH

DIMENSIONS



TECHNICAL DATA

TEMPERATURE RANGE:	-40°C to + 105°C
PROTECTION:	IP67 in mated condition and in combination with sealed backshell
VOLTAGE RATING:	350V
HOUSING BODY:	Zinc Alloy, Nickel Plated
COUPLING NUT:	
INSERT:	Glass-filled Thermoplastic UL94-V0
SEAL:	NBR
CURRENT:	2-16Awg at 13A and 2-2.5mm at 23A
CONTACT SIZE:	16Awg & 2.5mm
APPROVALS:	UL ECBT2

AMEYA360

Components Supply Platform

Authorized Distribution Brand :



Website :

Welcome to visit www.ameya360.com

Contact Us :

➤ Address :

401 Building No.5, JiuGe Business Center, Lane 2301, Yishan Rd
Minhang District, Shanghai , China

➤ Sales :

Direct +86 (21) 6401-6692

Email amall@ameya360.com

QQ 800077892

Skype [ameyasales1](#) [ameyasales2](#)

➤ Customer Service :

Email service@ameya360.com

➤ Partnership :

Tel +86 (21) 64016692-8333

Email mkt@ameya360.com