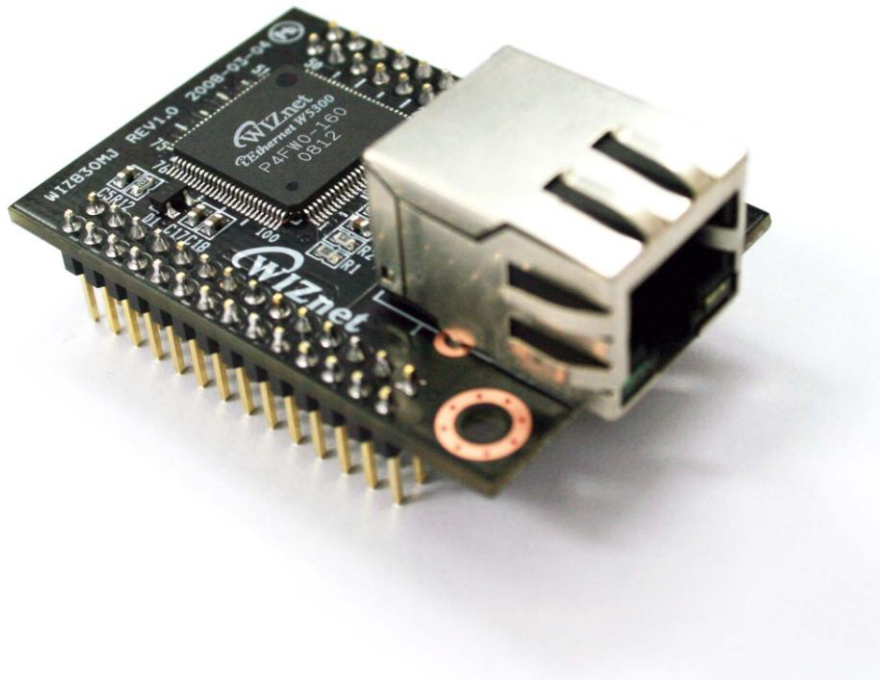


# WIZ830MJ Datasheet

(Ver. 1.1)



©2008 WIZnet Inc. All Rights Reserved.  
For more information, visit our website at [www.wiznet.co.kr](http://www.wiznet.co.kr)

## Document History Information

Revision	Data	Description
Ver. 1.0	June 04, 2008	Release with WIZ830MJ Launching
Ver.1.1	July 29, 2008	Modified dimensions(Symbol B and C).

## WIZnet's Online Technical Support

If you have something to ask about WIZnet Products, Write down your question on Q&A Board in WIZnet website ([www.wiznet.co.kr](http://www.wiznet.co.kr)). WIZnet Engineer will give an answer as soon as possible.

The screenshot shows the WIZnet website homepage. At the top, there is a navigation bar with links for HOME, LOGIN, JOIN, CONTACT US, and language options (ENGLISH, CHINESE, JAPANESE, KOREAN). A search bar for 'On-line Mail' is also present. A main navigation menu on the left includes links for PRODUCTS, TECHNOLOGY, TECHNICAL Q&A (highlighted), LIBRARY, DISTRIBUTOR, PARTNERSHIP, BLOG, and ABOUT US. A secondary menu offers Q&A, FAQ, and E-FORUM. The central banner features a WIZnet Ethernet W5300 chip with the text 'Stable 70Mbps Guaranteed (in DMA!) W5300'. To the right, a 'WIZnet website Renewal/Open with web 2.0 concepts!' box lists updates such as 'Easy-to-check new or amended info. thru. 'What's updated' board', 'Support RSS in each board', and 'Enhance Search function'. Below the banner, there are sections for 'RoHS Compliant', 'NEWS' (with a 'NEWS LETTER' link), 'NEW PRODUCT' (highlighting the W5300 with its features: Over 50 Mbps!, 16/8 bit data bus width, 8 independent sockets, and support for SWTCP/IP), and 'WHAT'S UPDATED' (listing updates like 'How to use PPPoE in W5300' and 'WIZnet0SR Firmware V2.9'). At the bottom, there are links for 'COMPANY OVERVIEW', 'DISTRIBUTOR', and 'Download Center', along with promotional banners for 'WIZnet 3rd Party e-market place', 'WIZnet e-sale International', 'WIZnet Ethernet 2007 Winners Announcement', 'IIC Taiwan Sep. 9-11, 2008 Booth #: 2L06', and 'Download Sales Materials WIZwiki.tistory.com'.

## Table of Contents

1.	Introduction .....	5
1.1.	Features .....	5
1.2.	Block Diagram .....	5
2.	Pin Assignments & descriptions .....	6
2.1.	Pin Assignments .....	6
2.2.	Power & Ground .....	7
2.3.	MCU Interfaces .....	7
2.4.	Network Indicator LED Signals .....	8
2.5.	Miscellaneous Signals .....	8
3.	Timing Diagrams .....	9
3.1.	Reset Timing .....	9
3.2.	Register / Memory READ Timing .....	9
3.3.	Register / Memory WRITE Timing .....	10
4.	Dimensions .....	11
5.	Schematic .....	12
6.	Partlists .....	13

# 1. Introduction

WIZ830MJ is the network module that includes W5300 (TCP/IP hardwired chip, include PHY), MAG-JACK (RJ45 with X'FMR) with other glue logics. It can be used as a component and no effort is required to interface W5300 and Transformer. The WIZ830MJ is an ideal option for users who want to develop their Internet enabling systems rapidly.

**For the detailed information on implementation of Hardware TCP/IP, refer to the W5300 Datasheet.**

WIZ830MJ consists of W5300 and MAG-JACK.

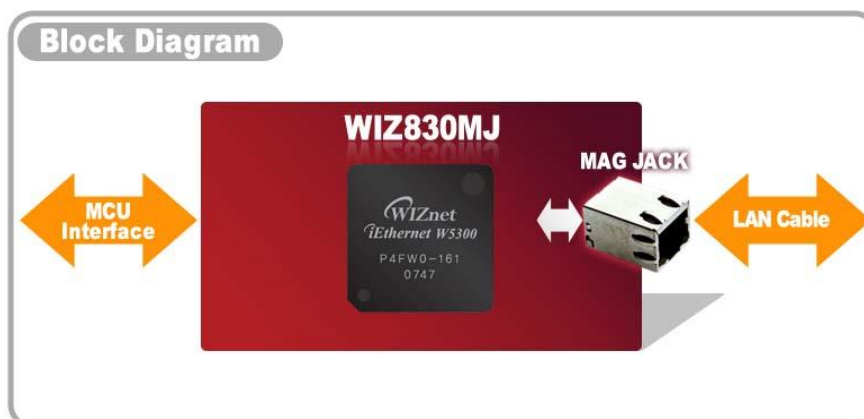
- TCP/IP, MAC protocol layer: W5300
- Physical layer: Included in W5300
- Connector: MAG-JACK(RJ45 with Transformer)

5

## 1.1. Features

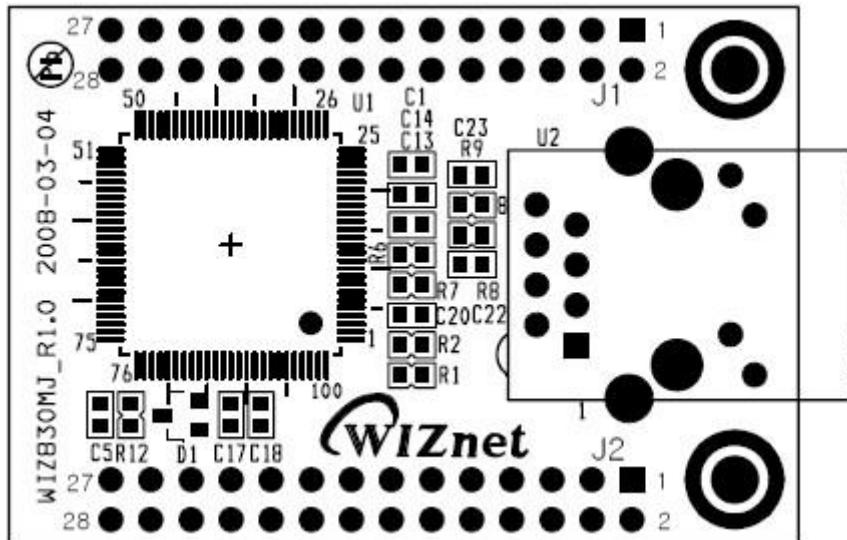
- Supports 10/100 Base TX
- High network performance : Up to 50Mbps
- Supports half/full duplex operation
- Supports auto-negotiation and auto cross-over detection
- IEEE 802.3/802.3u Compliance
- Operates 3.3V with 5V I/O signal tolerance
- Supports network status indicator LEDs
- Includes Hardware Internet protocols: TCP, IP Ver.4, UDP, ICMP, ARP, PPPoE, IGMP
- Includes Hardware Ethernet protocols: DLC, MAC
- Supports 8 independent connections simultaneously
- Supports MCU bus Interface
- Supports Direct/Indirect mode bus access
- Supports 16/8 bit data bus width
- Supports memory-to-memory DMA (only 16bit Data bus width & slave mode)
- Supports Socket API for easy application programming
- Supports hybrid TCP/IP stack(software and hardware TCP/IP stack)
- Supports PPPoE connection (with PAP/CHAP Authentication mode)
- More flexible allocation internal TX/RX memory according to application throughput
- Interfaces with two 2.54mm pitch 2 x 14 header pin

## 1.2. Block Diagram



## 2. Pin Assignments & descriptions

### 2.1. Pin Assignments



6

J1				J2			
VCC	1	2	D15	VCC	1	2	BIT16EN
D14	3	4	D13	/LINKLED	3	4	/TXLED
D12	5	6	D11	/RXLED	5	6	/COLLED
D10	7	8	D9	/FDXLED	7	8	/SPDLED
D8	9	10	D7	/ACTLED	9	10	GND
D6	11	12	D5	BRDY3	11	12	BRDY2
D4	13	14	D3	BRDY1	13	14	BRDY0
D2	15	16	D1	GND	15	16	GND
D0	17	18	GND	/RESET	17	18	/INT
A9	19	20	A8	/CS	19	20	/RD
A7	21	22	A6	/WR	21	22	NC
A5	23	24	A4	GND	23	24	GND
A3	25	26	A2	NC	25	26	NC
A1	27	28	A0	NC	27	28	NC

I : Input  
I/O : Bi-directional Input and output

O : Output  
P : Power

## 2.2. Power & Ground

Symbol	Type	Pin No.	Description
VCC	P	J1:1, J2:1	Power : 3.3 V power supply
GND	P	J1:18, J2:10, J2:15, J2:16, J2:23, J2:24	Ground

## 2.3. MCU Interfaces

Symbol	Type	Pin No.	Description
A[9:0]	I	J2:19 ~ J2:28	<b>Address</b> Used as Address[9-0] pin
D[15:8]	I/O	J1:2 ~ J1:9	<b>Data</b> 16 bit-wide high data bus In case of using 8 bit data bus, there are driven as High-Z
D[7:0]	I/O	J1:10 ~ J1:17	<b>Data</b> 16 bit-wide low data bus
/CS	I	J2:19	<b>Module Select</b> : Active low. /CS of W5300
/RD	I	J2:20	<b>Read Enable</b> : Active low. /RD of W5300
/WR	I	J2:21	<b>Write Enable</b> : Active low /WR of W5300
/INT	O	J2:18	<b>Interrupt</b> : Active low After reception or transmission it indicates that the W5300 requires MCU attention. By writing values to the Interrupt Register(IR) of W5300 the interrupt will be cleared by host. All interrupts can be masked by writing values to the IMR of W5300 (Interrupt Mask Register). For more details refer to the W5300 Datasheet
BIT16EN	I	J2:2	<b>16/8 bit data bus select.</b> High : 16 bit data bus Low : 8 bit data bus.

## 2.4. Network Indicator LED Signals

Symbol	Type	Pin No.	Description
/LINKLED	O	J2:3	<b>Link LED</b> It indicates the link status of media(10/100M).
/TXLED	O	J2:4	<b>Transmit activity LED</b> : Transmit Enable It notifies the output of transmit data through TXOP/TXON (Transmit Activity).
/RXLED	O	J2:5	<b>Receive activity LED</b> : Transmit Data It notifies the input of receive data from RXIP/RXIN (Receive Activity)
/COLLED	O	J2:6	<b>Collision LED</b> : Transmit Data It notifies when collisions occur. It is valid at half-duplex, and is ignored at full-duplex.
/FDXLED	O	J2:7	<b>Full duplex LED</b> : Transmit Data It outputs low at the full-duplex and outputs high at the halfduplex according to auto-negotiation or manual configuration of OP_MODE[2:0].
/SPDLED	O	J2:8	<b>Link speed LED</b> : Transmit Data It is asserted low at the 100Mbps and high at the 10Mbps according to auto-negotiation or manual configuration of OP_MODE[2:0].
/ACTLED	O	J2:9	<b>Activity LED</b> It notifies the output of transmit data through TXOP/TXON or the input of receive data from RXIP/RXIN.

## 2.5. Miscellaneous Signals

Symbol	Type	Pin No.	Description
/RESET	I	J2:17	<b>Reset</b> : This pin is active low input to initialize or re-initialize W5300. RESET should be held at least 2us after low assert, and wait for at least 10ms after high de-assert in order for PLL logic to be stable
BRDY[3:0]	O	J2:11 ~ J2:14	<b>Buffer Ready Indicator</b> BRDYn monitors TX/RX memory status of each socket. For more details refer to the W5300 Datasheet
NC	-	J2 : 22, J2:25, J2:26, J2:27, J2:28	Not Connect

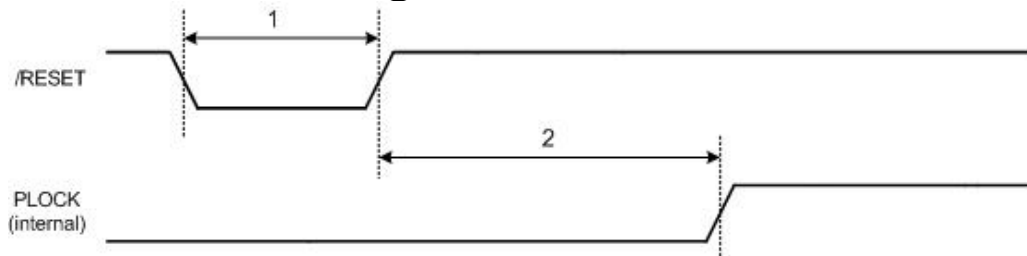


## 3. Timing Diagrams

WIZ830MJ provides following interfaces of W5300.

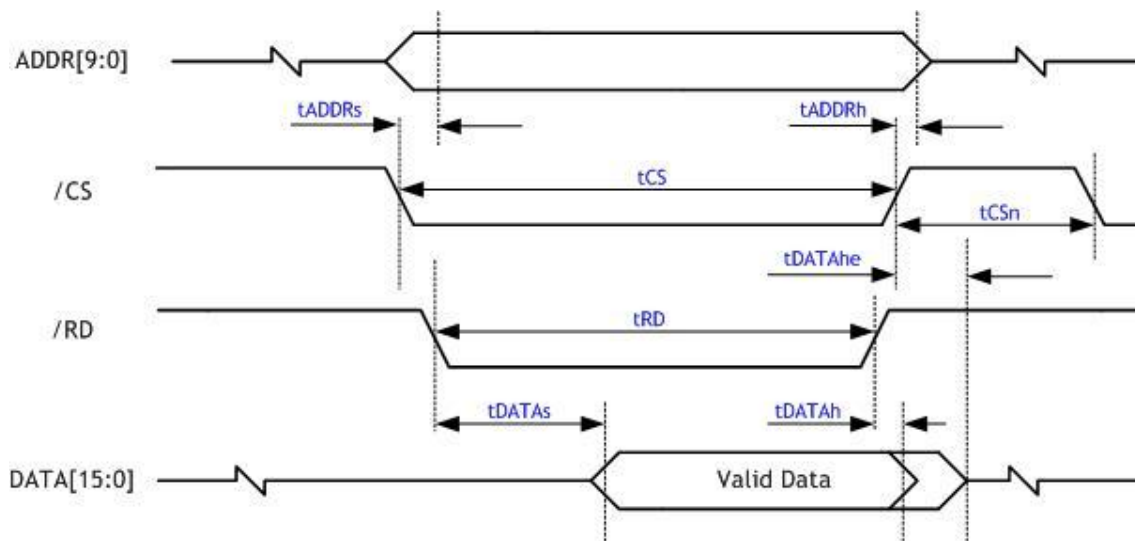
-. Direct/Indirect mode bus access

### 3.1. Reset Timing



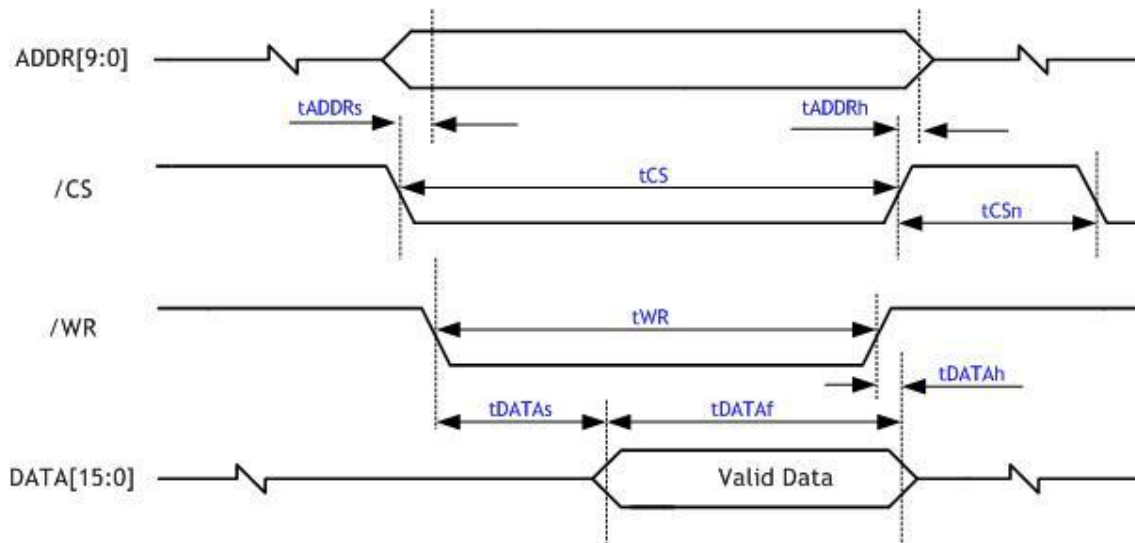
Description		Min	Max
1	Reset Cycle Time	2 us	-
2	PLL Lock-in Time	50us	10 s

### 3.2. Register / Memory READ Timing



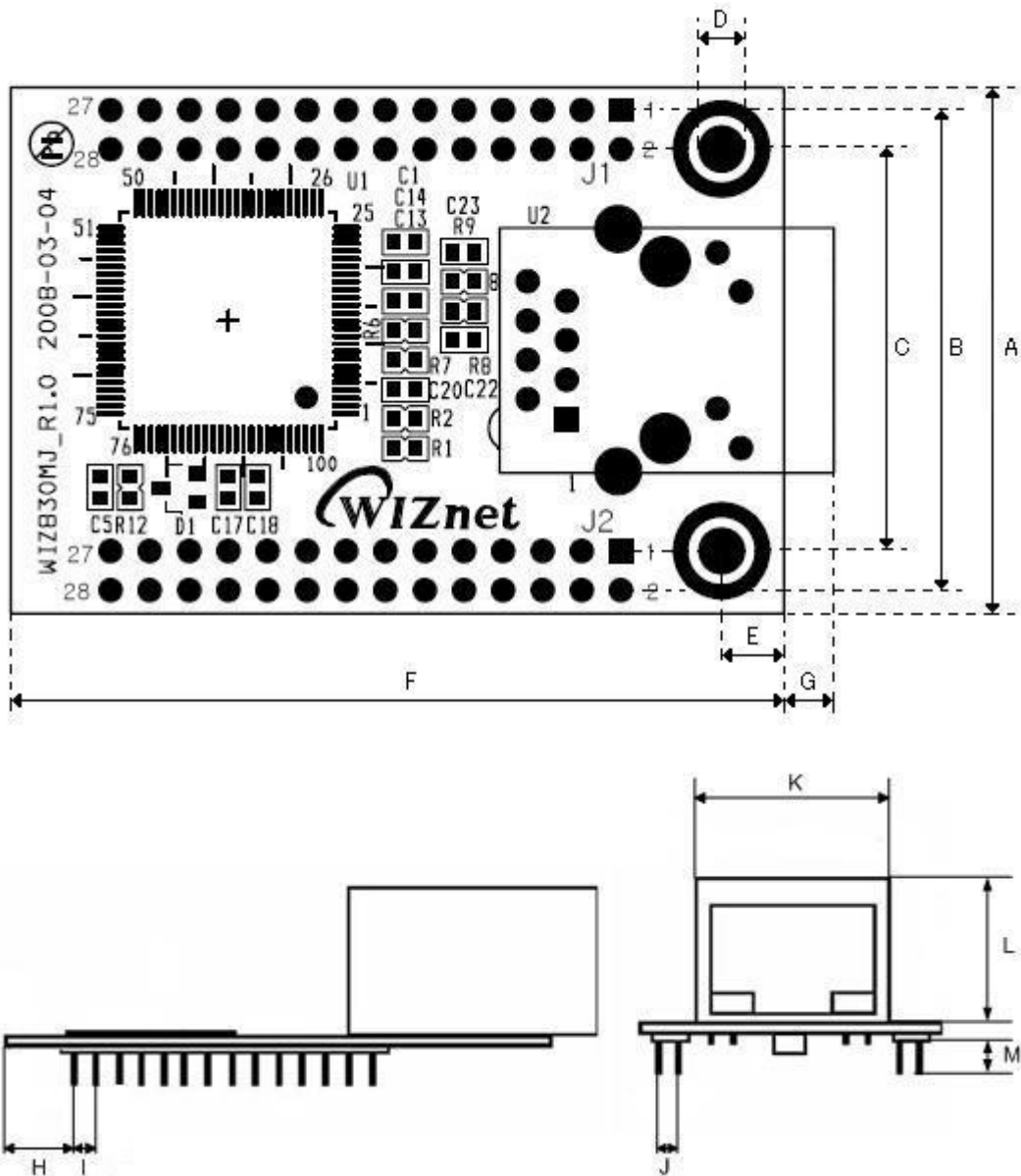
Description		Min	Max
tADDRs	Address Setup Time after /CS and /RD low	-	7ns
tADDRh	Address Hold Time after /CS and /RD high	-	-
tCS	/CS Low Time	65ns	-
tCSn	/CS Next Assert Time	28ns	-
tRD	/RD Low Time	65ns	-
tDATAs	DATA Setup Time after /RD low	42ns	-
tDATAh	DATA Hold Time after /RD and /CS high	-	7ns
tDATAhe	DATA Hold Extension Time after /CS high	-	2XPLL_CLK

### 3.3. Register / Memory WRITE Timing



Description		Min	Max
$t_{ADDRs}$	Address Setup Time after /CS and /WR low	-	7ns
$t_{ADDRh}$	Address Hold Time after /CS or /RD high	-	-
$t_{CS}$	/CS low Time	50ns	-
$t_{CSn}$	/CS next Assert Time	28ns	
$t_{WR}$	/WR low Time	50ns	
$t_{DATAs}$	Data Setup Time after /WR low	7ns	$7ns + 7XPLL\_CLK$
$t_{DATAf}$	Data Fetch Time	14ns	$t_{WR} - t_{DATAs}$
$t_{DATAh}$	Data Hold Time after /WR high	7ns	-

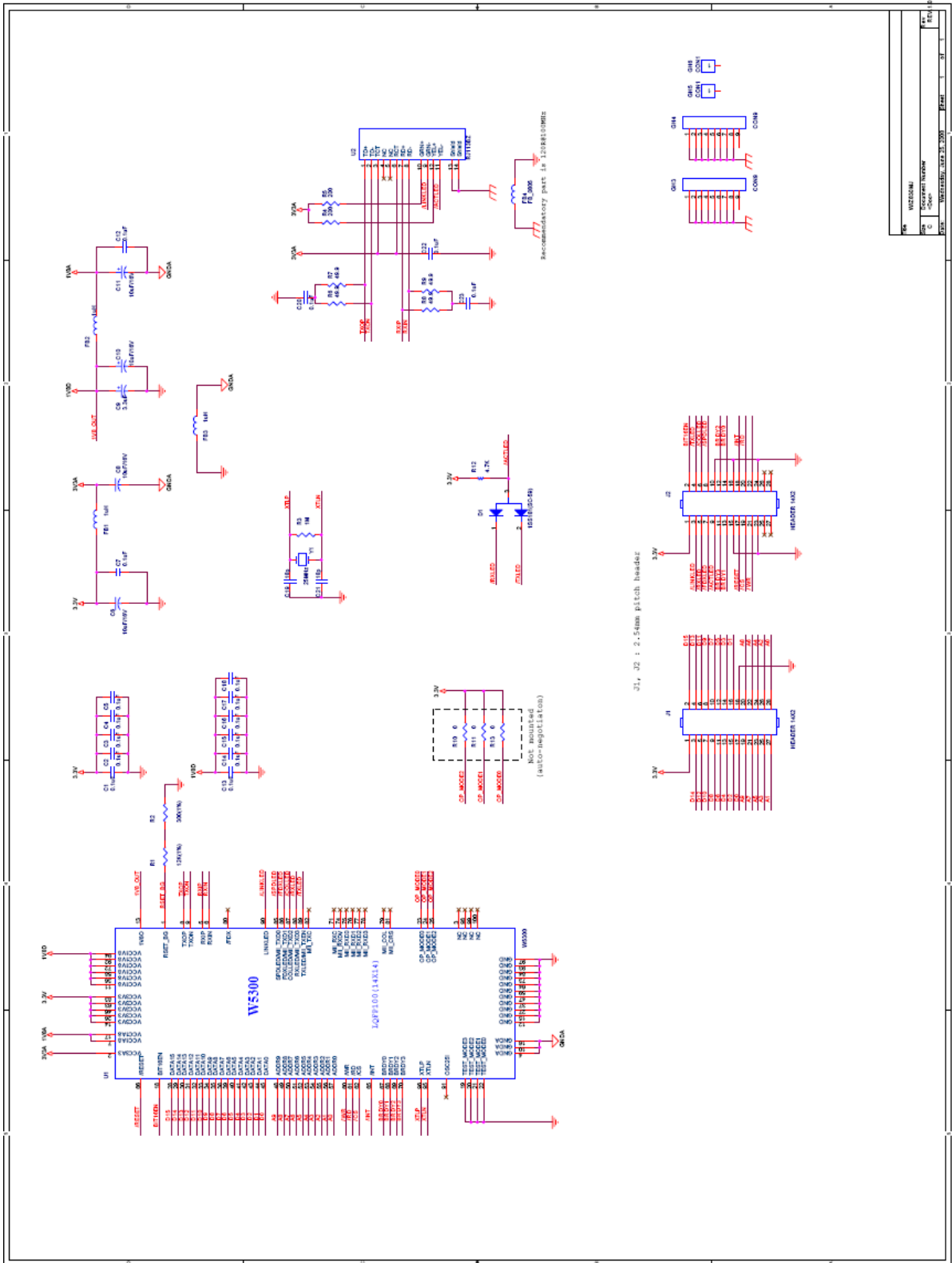
## 4. Dimensions



11

Symbols	Dimensions (mm)	Symbols	Dimensions (mm)
A	34.00	H	6.50
B	30.48	I	2.54
C	25.40	J	2.54
D	3.00	K	15.90
E	4.00	L	13.50
F	50.00	M	6.00
G	3.30	-	-

# 5. Schematic



## 6. Partlists

Item	Q.ty	Reference	Part	Tech. Characteristics	Package
1	16	C1,C2,C3,C4,C5, C7,C12,C13,C14, C15,C16,C17,C18, C20,C22,C23	0.1uF	50V-20% Ceramic	CASE 0603
2	4	C6,C8,C10,C11,	10uF/16V	16Vmin 10%	EIA/IECQ 3216
3	1	C9	3.3uF/16V	16Vmin 10%	EIA/IECQ 3216
4	2	C19,C21	18pF	50V-20% Ceramic	CASE 0603
5	1	D1	1SS181		SC-59
6	3	FB1,FB2,FB3	1uH Chip Ferrite Inductor	1uH, 50mA	CASE 0805
7	1	FB4	120 Ohm Ferrite BEAD	120 Ohm /100MHz	CASE 0805
8	2	J1,J2	2X14 28PIN 2.54mm DIP STRAIGHT Header	2 X 14 2.54mm pitch	DIP
9	1	R1	12K (1%)	1/10W-1% SMD	CASE 0603
10	1	R2	300 (1%)	1/10W-1% SMD	CASE 0603
11	1	R3	1M	1/10W-5% SMD	CASE 0603
12	2	R4,R5	200	1/10W-5% SMD	CASE 0603
13	4	R6,R7,R8,R9	49.9 (1%)	1/10W-1% SMD	CASE 0603
14	0	R10,R11,R13	Not mounted	1/10W-5% SMD	CASE 0603
15	1	R12	4.7K	1/10W-5% SMD	CASE 0603
16	1	U1	W5300	WIZnet Hardware TCP/IP	LQFP100
17	1	U2	RJ113BZ	Transformer + RJ-45	
18	1	Y1	25MHz(SMD)	SMD Type, CL=18pF	SX-1
19	1		WIZ830MJ REV1.0 PCB	1.6T 4LAYER	

# AMEYA360

## Components Supply Platform

### Authorized Distribution Brand :



### Website :

Welcome to visit [www.ameya360.com](http://www.ameya360.com)

### Contact Us :

#### ➤ Address :

401 Building No.5, JiuGe Business Center, Lane 2301, Yishan Rd  
Minhang District, Shanghai , China

#### ➤ Sales :

Direct +86 (21) 6401-6692

Email [amall@ameya360.com](mailto:amall@ameya360.com)

QQ 800077892

Skype [ameyasales1](#) [ameyasales2](#)

#### ➤ Customer Service :

Email [service@ameya360.com](mailto:service@ameya360.com)

#### ➤ Partnership :

Tel +86 (21) 64016692-8333

Email [mkt@ameya360.com](mailto:mkt@ameya360.com)