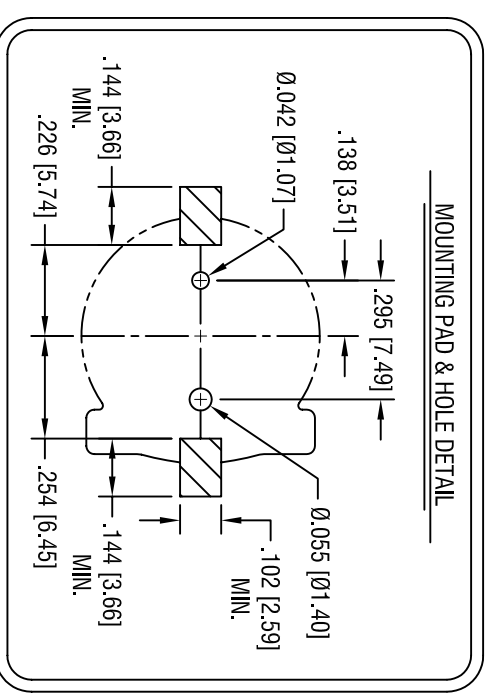
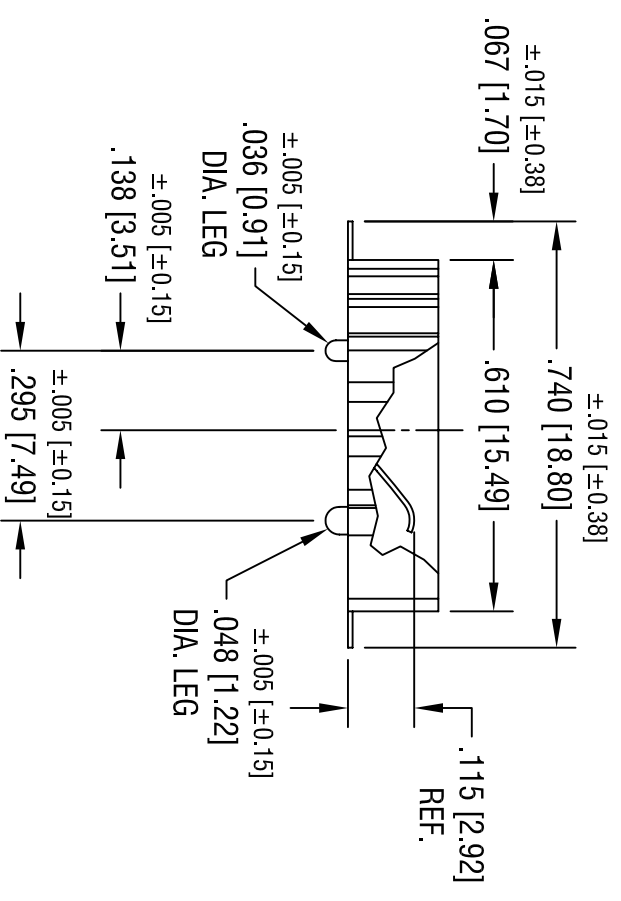
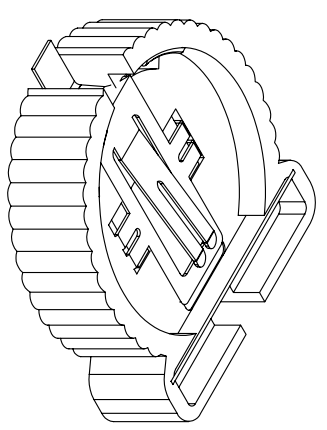
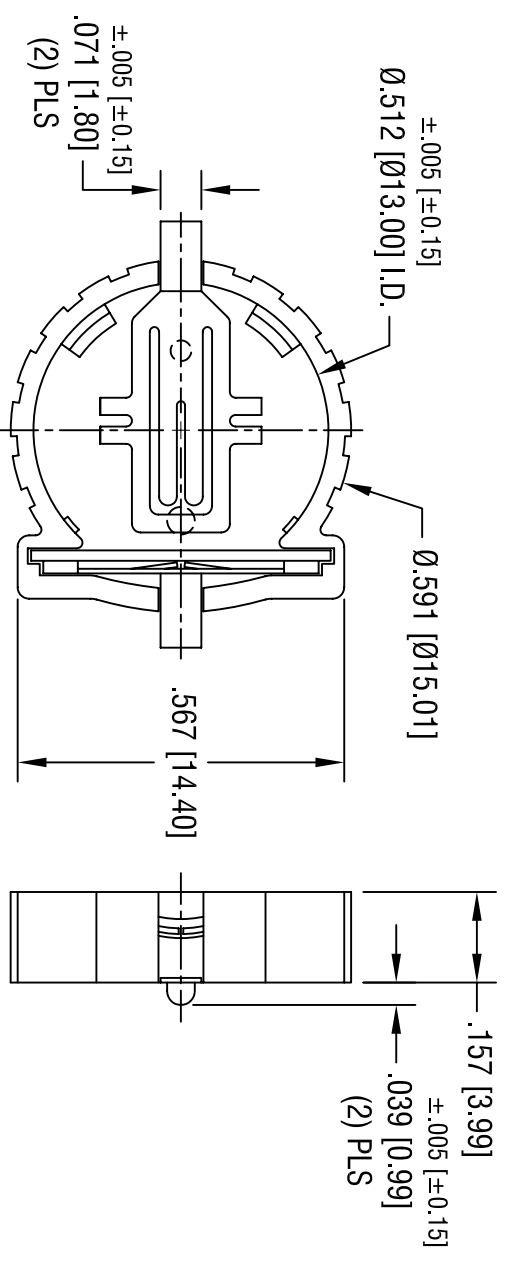


DATE	DESCRIPTION	REV.
12.08.08	CHANGE AS PER ECN 08-188	A



**KEYSTONE ELECTRONICS CORP.**  
ASTORIA, N.Y. 11105-2017

PART NAME: 1220 BATTERY HOLDER, SMT  
MATERIAL: AS NOTED

FINISH: AS NOTED  
TOLERANCES: INCH [MM]  
DECIMAL ± 0.10 [± 0.25]  
ANGULAR ± 1°  
UNLESS OTHERWISE SPECIFIED

THIS DOCUMENT IS THE PROPERTY OF KEYSTONE ELECTRONICS CORP. AND SHALL NOT BE REPRODUCED, DISTRIBUTED OR USED AS A BASIS FOR MANUFACTURE WITHOUT PRIOR WRITTEN PERMISSION FROM KEYSTONE ELECTRONICS CORP.

DRN BY: BOONE  
DATE: 9.15.05  
App'd: LN  
SCALE: 3X

DWG NO.: 1056

- NOTES:
1. BASE:  
MAT'L - GLASS FILLED PPS UL 94V-0
  2. CONTACTS:  
MAT'L - .008 [0.20] THK PHOSPHOR BRONZE  
FINISH - GOLD FLASH , OVER NICKEL PLATE

# AMEYA360

## Components Supply Platform

Authorized Distribution Brand :



Website :

Welcome to visit [www.ameya360.com](http://www.ameya360.com)

Contact Us :

➤ Address :

401 Building No.5, JiuGe Business Center, Lane 2301, Yishan Rd  
Minhang District, Shanghai , China

➤ Sales :

Direct +86 (21) 6401-6692

Email [amall@ameya360.com](mailto:amall@ameya360.com)

QQ 800077892

Skype [ameyasales1](#) [ameyasales2](#)

➤ Customer Service :

Email [service@ameya360.com](mailto:service@ameya360.com)

➤ Partnership :

Tel +86 (21) 64016692-8333

Email [mkt@ameya360.com](mailto:mkt@ameya360.com)