

PART NAME

PLASTIBOX (STYLE A)

PART No.

PT-11338 & PS-11339

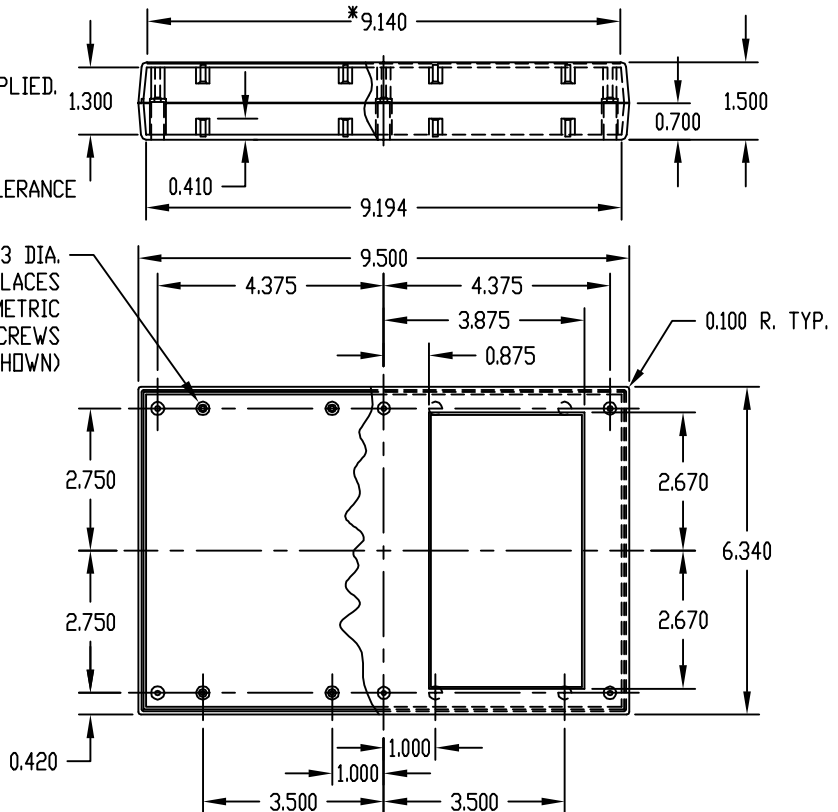
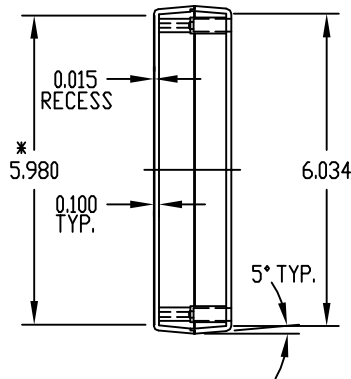
MATERIAL: HIGH-IMPACT ABS
COLOR: BLACK OR GRAY

FINISH: PREFIX PS - TEXTURED BODY WITH SMOOTH TOP INSERT.
PREFIX PT - TEXTURED BODY WITH TEXTURED TOP.

SIX (6) #4 x 0.375' LG. SCREWS SUPPLIED FOR ASSEMBLING TOP.
FOUR (4) NON-SKID PUSH-ON FEET SUPPLIED.
*-USABLE AREA ON COVER ALSO AVAILABLE FOR CUSTOM MOLDING.

NOTE: ALL DIMENSIONS HAVE ±0.015 TOLERANCE UNLESS OTHERWISE SPECIFIED.

0.260 DIA. BOSS WITH 0.093 DIA. HOLE x 0.310 DEEP (16) PLACES MOUNTING BOSSES USE EITHER M2.5 METRIC OR #4 STD. SHEET METAL SCREWS x 0.250' LG. (NOT SHOWN)



PART NAME

PLASTIBOX (STYLE B)

PART No.

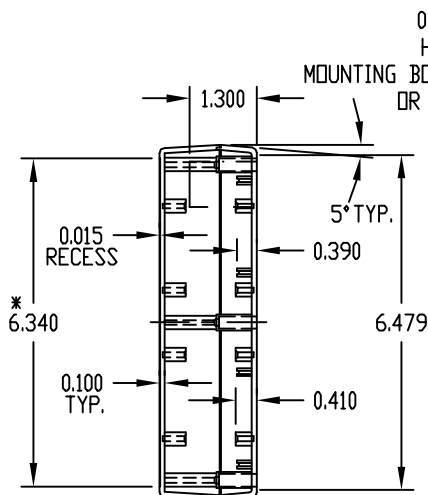
PSS-11350 & PNS-11351

MATERIAL: HIGH-IMPACT ABS
COLOR: BLACK OR GRAY

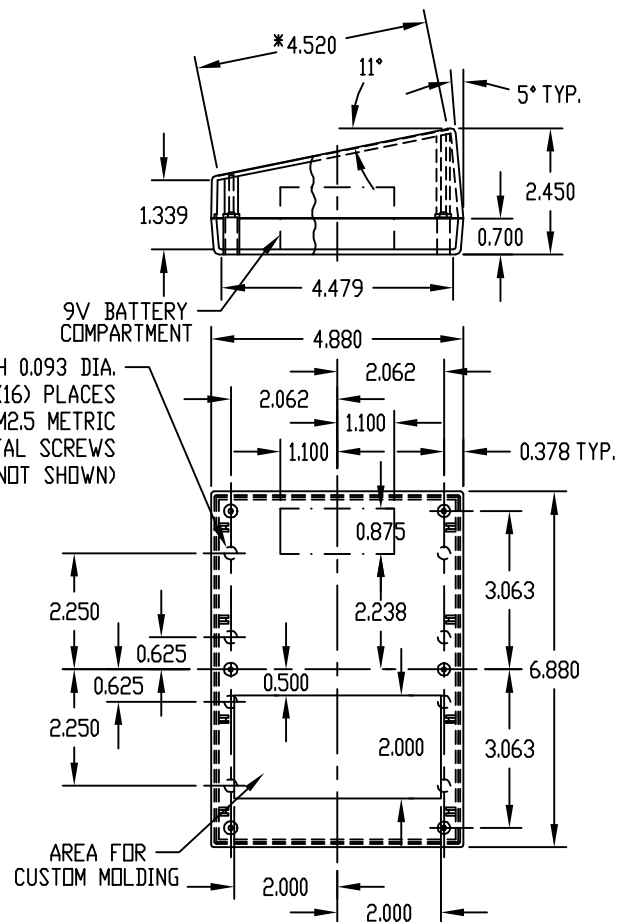
FINISH: PREFIX PSS- TEXTURED BODY WITH SMOOTH TOP AND END INSERTS.
PREFIX PNS- TEXTURED BODY WITH SMOOTH TOP AND END INSERTS AND 9V BATTERY COMPARTMENT.

SIX (6) #4 x 0.375' LG. SCREWS SUPPLIED FOR ASSEMBLING TOP.
FOUR (4) NON-SKID PUSH-ON FEET SUPPLIED.
*-USABLE AREA ON COVER ALSO AVAILABLE FOR CUSTOM MOLDING.

NOTE: ALL DIMENSIONS HAVE ±0.015 TOLERANCE UNLESS OTHERWISE SPECIFIED.



0.260 DIA. BOSS WITH 0.093 DIA. HOLE x 0.310 DEEP (16) PLACES MOUNTING BOSSES USE EITHER M2.5 METRIC OR #4 STD. SHEET METAL SCREWS x 0.250' LG. (NOT SHOWN)



AMEYA360

Components Supply Platform

Authorized Distribution Brand :



Website :

Welcome to visit www.ameya360.com

Contact Us :

➤ Address :

401 Building No.5, JiuGe Business Center, Lane 2301, Yishan Rd
Minhang District, Shanghai , China

➤ Sales :

Direct +86 (21) 6401-6692

Email amall@ameya360.com

QQ 800077892

Skype [ameyasales1](#) [ameyasales2](#)

➤ Customer Service :

Email service@ameya360.com

➤ Partnership :

Tel +86 (21) 64016692-8333

Email mkt@ameya360.com