

PART
NAME

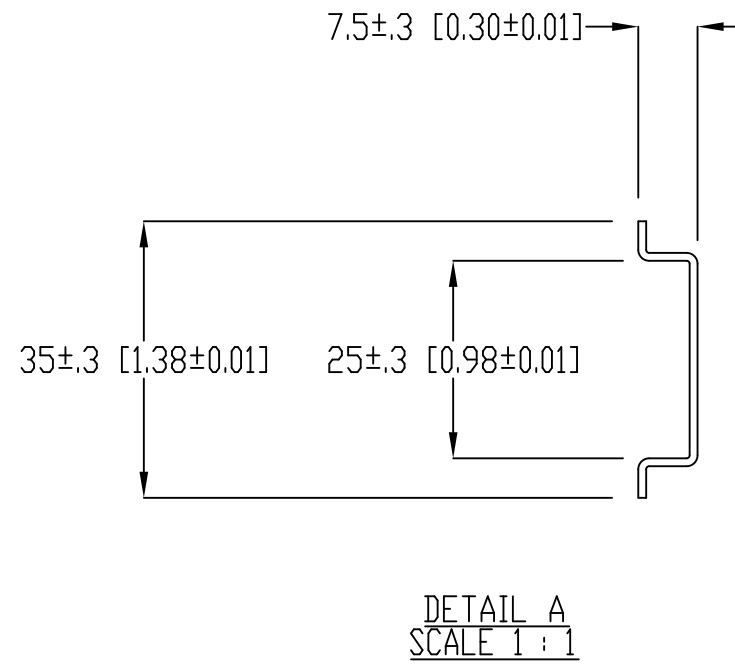
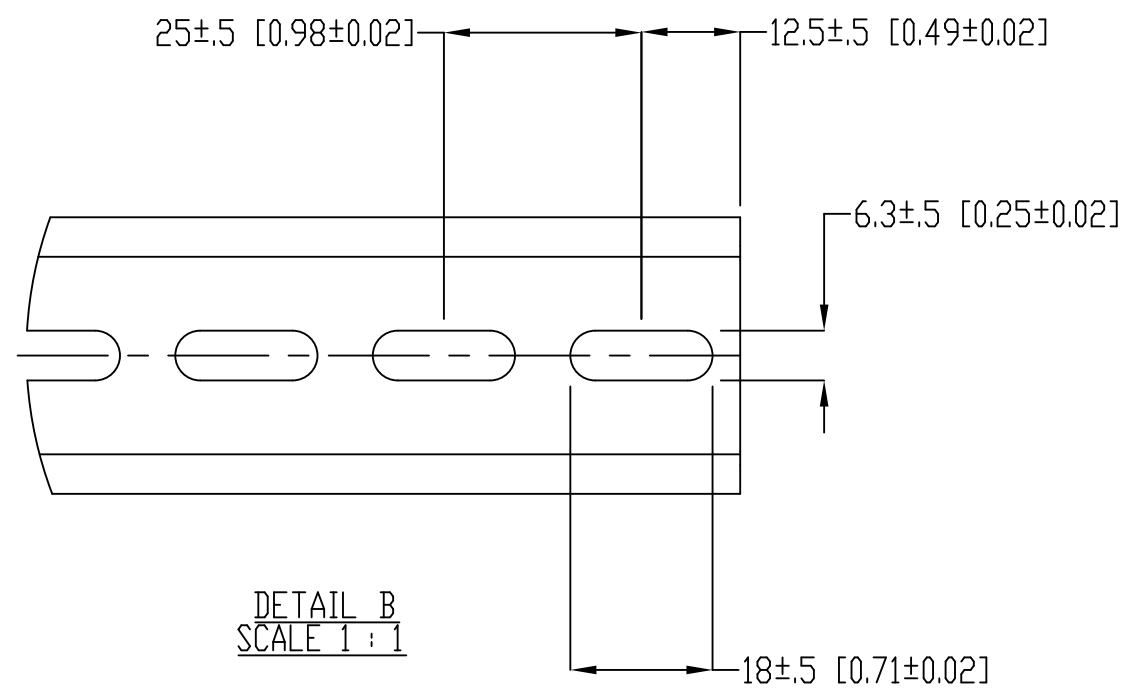
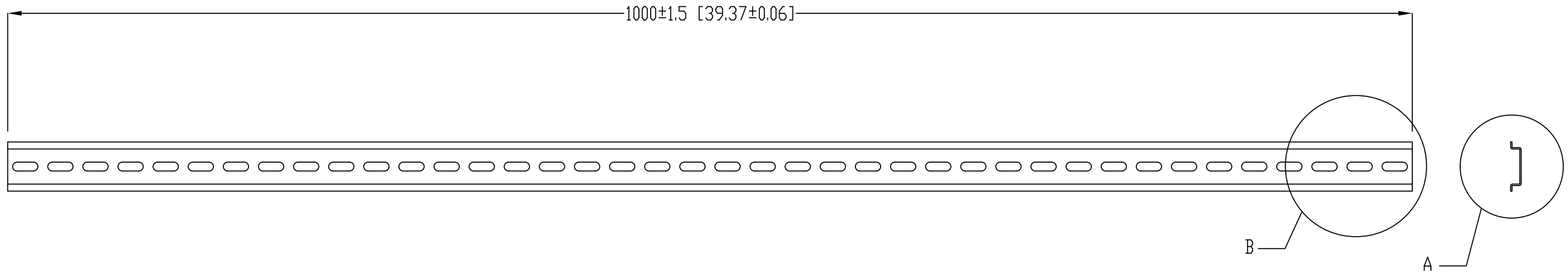
35mm DIN MOUNTING RAIL

PART
No.

DNR-4790

REV.
DATE

2/28/12



DIMENSIONS ARE MILLIMETER [INCH]
MATERIAL - 1.0 [0.039] THK. STEEL
FINISH - ZINC PLATED

Authorized Distribution Brand :



Website :

Welcome to visit www.ameya360.com

Contact Us :

➤ Address :

401 Building No.5, JiuGe Business Center, Lane 2301, Yishan Rd
Minhang District, Shanghai , China

➤ Sales :

Direct +86 (21) 6401-6692

Email amall@ameya360.com

QQ 800077892

Skype ameyasales1 ameyasales2

➤ Customer Service :

Email service@ameya360.com

➤ Partnership :

Tel +86 (21) 64016692-8333

Email mkt@ameya360.com