

SPECIFICATIONS

OF

TILT SWITCH

MODEL NAME : D7E-3

OUTLINE DRAWING NO. 6421363-0

WRITTEN: Y. Kamihashi July 1, 1997

CHECKED: S. Mori July 1, 1997

APPROVED: N. Ashikaga July 1, 1997

OMRON CORPORATION

OMRON

1. CONSTRUCTION

1-1 Outline dimensions	DRWG. No. 6 4 2 1 3 6 3 - 0
1-2 Switching mechanism	To output the ON/OFF signal by mechanical switching of the internal switch contact by moving a ball inside with the tilt.
1-3 Enclosure rating	IP67 (Only internal switch)
1-4 Operating angle	Operate with the tilt of 50 to 80 degrees.(ON→OFF) Angle : degree when tilting gradually (approx. 1 degree/s) from the horizontal.
1-5 Returning angle	Return with the tilt of more than 25 degrees Angle : degree when returning gradually(approx. 1 degree/s) from operating condition
1-6 Permissible mounting level	1 degree max. from the horizontal
1-7 Contact form	Single pole single throw (NC contacts / slow action)
1-8 Terminal	#187 quick connect /solder terminal (thickness=0.5mm)
1-9 Mounting	Pitch: 30mm 2 screws(M3) Height of the product : 5.3mm (Please refer to drawing in detail.)
1-10 Soldering	Soldering iron : temperature $350 \pm 10^{\circ}\text{C}$, 3 second max.

OMRON

4. ENVIRONMENT CHARACTERISTICS

4-1 Operating temperature and humidity

Temperature : -25°C to + 60°C (No icing and condensation)

Humidity : 45 to 95 %RH

4-2 Storage temperature and humidity

Temperature : -25°C to + 60°C (No icing and condensation)

Humidity : 45 to 95 %RH

5. ENDURANCE CHARACTERISTICS

5-1 Salt spray

The switch is sprayed with $5 \pm 0.5\%$ salt water for 96 hours.

No remarkable corrosion is allowed and must be free from any malfunctions both electrically and mechanically

Contact resistance should be 100 Ω max. (To measure after salt is removed by water and the switch dries well.)

5-2 Moisture Endurance

Must be free from any malfunctions both electrically and mechanically after the switch is left in a temperature of $40 \pm 2^\circ\text{C}$ and humidity of 90 to 98%RH for 240 hours.(To measure after the switch dries well.)

5-3 Oil Endurance

Change of weight must be 20% max. after the switch is dipped in Gasoline 1 at $20 \pm 5^\circ\text{C}$ for 24 hours.

5-4 Heat Endurance

Must be free from any malfunctions both electrically and mechanically after the switch is left in a temperature of $70 \pm 5^\circ\text{C}$ for 96 hours.

5-5 Cold Endurance

Must be free from any malfunctions both electrically and mechanically after the switch is left in a temperature of $-35 \pm 5^\circ\text{C}$ for 96 hours.

5-6 High temperature/humidity

Must be free from any malfunctions both electrically and mechanically after the switch is left in a temperature of $70 \pm 2^\circ\text{C}$ and humidity of 90 to 98%RH for 240 hours.

OMRON

5-7 Corrosive gas

H₂S : 3±1ppm, SO₂ : 10±3ppm, 40°C, 75%RH, 96 hours

Must be free from any malfunctions both electrically and mechanically after the switch is left under above condition.

6. ELECTRICAL SERVICE LIFE

Must be free from any malfunctions both electrically and mechanically after 5,000 operations under the rated resistive load of 30VDC, 100mA at a frequency of 10 to 20 operations per minute.

7. OTHERS**Note1.**

- 1) If mounting surface is warped, there is a possibility that switch performance might be changed because of switch deformation when it's mounted. (Warp of mounting surface : 0.3mm max.)
Use two M3 screws with spring washers to mount the switch.
Tighten the screws to a torque of 0.4N to 0.6N·m (4 to 6kgf·cm).
- 2) Do not set the switch where its mechanically characteristics is affected badly, like door opening, car passage and other vibration and shock.
- 3) Do not put the switch in direct sunshine.
- 4) Mechanical deterioration caused by water cleaning, water covered, leak of oil and other organic solvent. Is not guaranteed by us.

Note2.

To be evaluated as "free from any malfunctions both electrically and mechanically" the switch must satisfy following requirements.

- | | |
|--------------------------|---|
| 1) Operating angle | More than ± 20% of specified range is not acceptable |
| Releasing angle | More than ± 20% of specified range is not acceptable |
| 2) Contact resistance | 1 Ω max. |
| 3) Insulation resistance | 10MΩ min. (250VDC meggar) |
| 4) Dielectric strength | 250VAC 50/60Hz for 1 minute (Leak current : 1mA max.) |

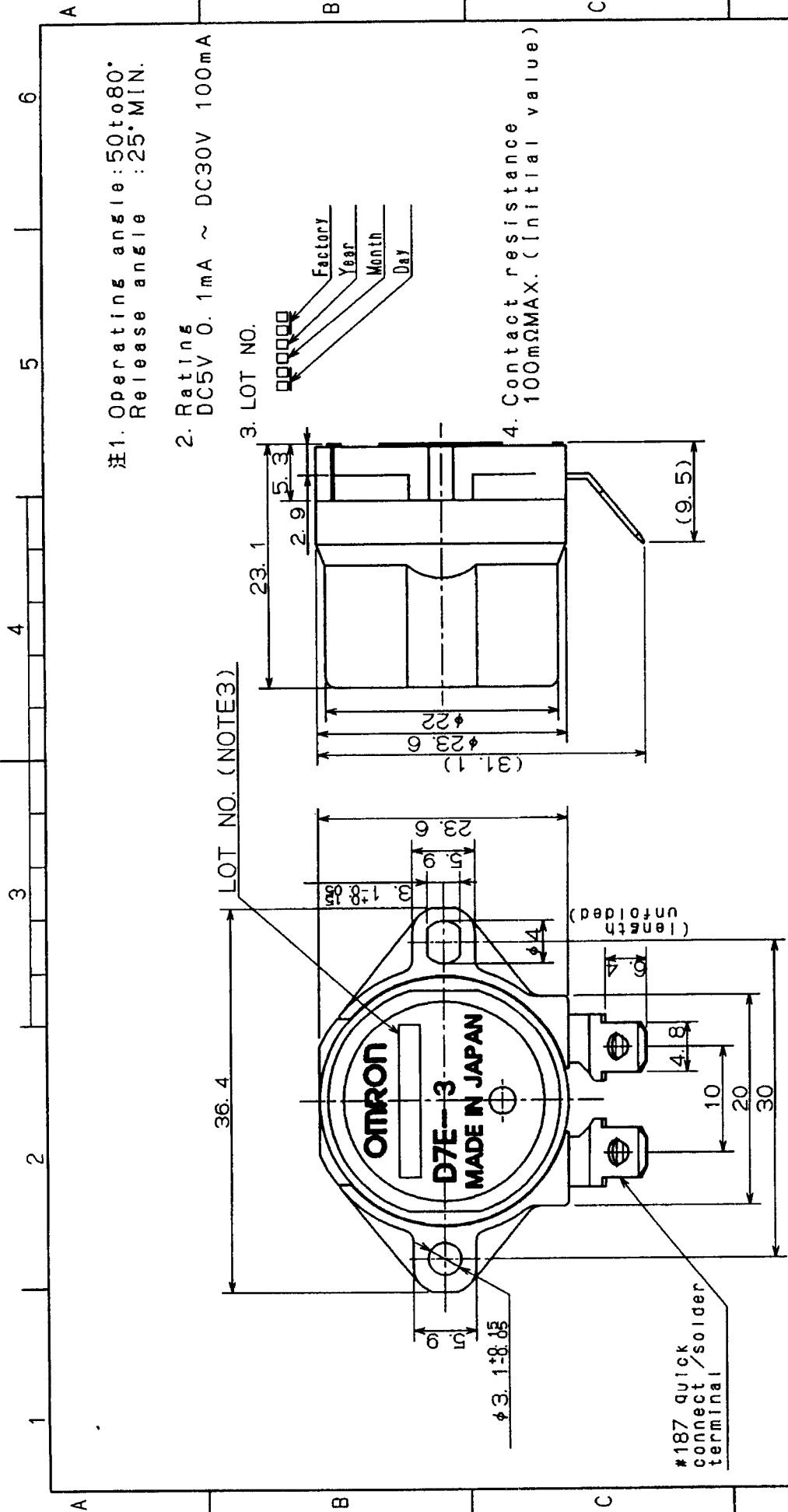
Note3.

This specification is invalid if we receive no approval or no order replacement of yours within a year since this is submitted. In a case of service parts, we will replace with new specifications.

Note4.

Others not included in this specifications are subjects to change without notice

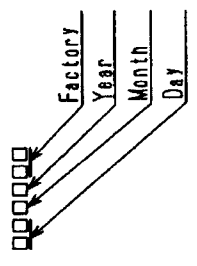
OMRON



注1. Operating angle: 50 to 80°
Release angle: 25° MIN.

2. Ratings
DC5V 0.1mA ~ DC30V 100mA

3. LOT NO.



4. Contact resistance
100Ω MAX. (Initial value)

LOT NO. (NOTES)

MATERIAL		SCALE	
FINISH		2:1	
TOLERANCES UNLESS SPECIFIED	DESIGNED	CHECKED	APPROVED
± 0.4	Y. Kobayashi	S. Mori	M. Ashikaga
	July 1, 1997	July 1, 1997	July 7, 1997
SYM	DATE	E/C CONTENTS	E/C NO.
THE MODEL D7E-3		TILT SWITCH	
OUTLINE DRAWING		DRWG NO. 6421363-0 A	
DESIGNED FOR		SHEET 1/1	

AMEYA360

Components Supply Platform

Authorized Distribution Brand :



Website :

Welcome to visit www.ameya360.com

Contact Us :

➤ Address :

401 Building No.5, JiuGe Business Center, Lane 2301, Yishan Rd
Minhang District, Shanghai , China

➤ Sales :

Direct +86 (21) 6401-6692

Email amall@ameya360.com

QQ 800077892

Skype [ameyasales1](#) [ameyasales2](#)

➤ Customer Service :

Email service@ameya360.com

➤ Partnership :

Tel +86 (21) 64016692-8333

Email mkt@ameya360.com