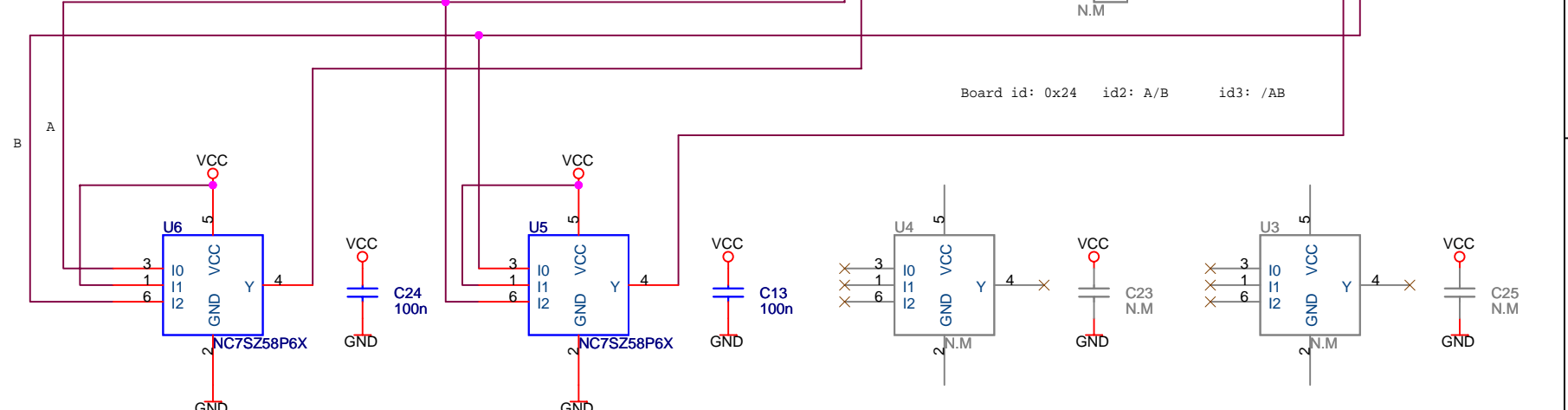
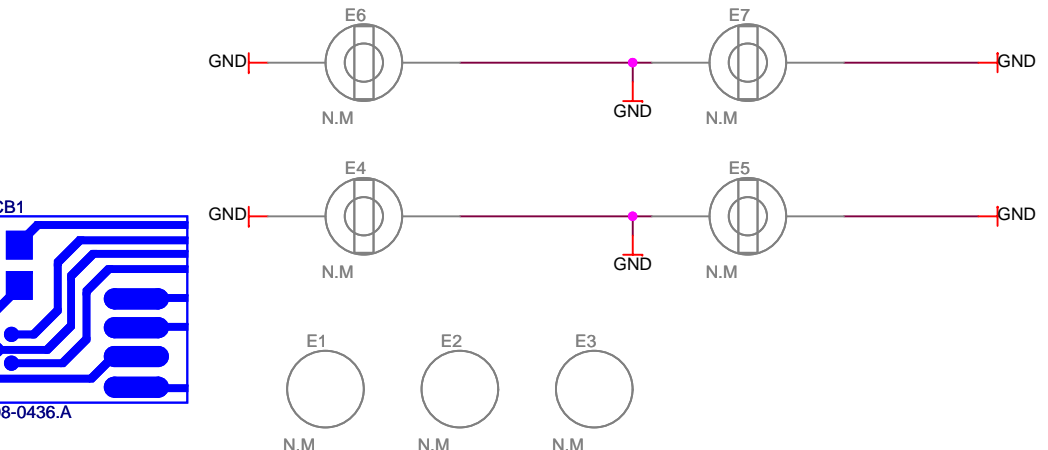
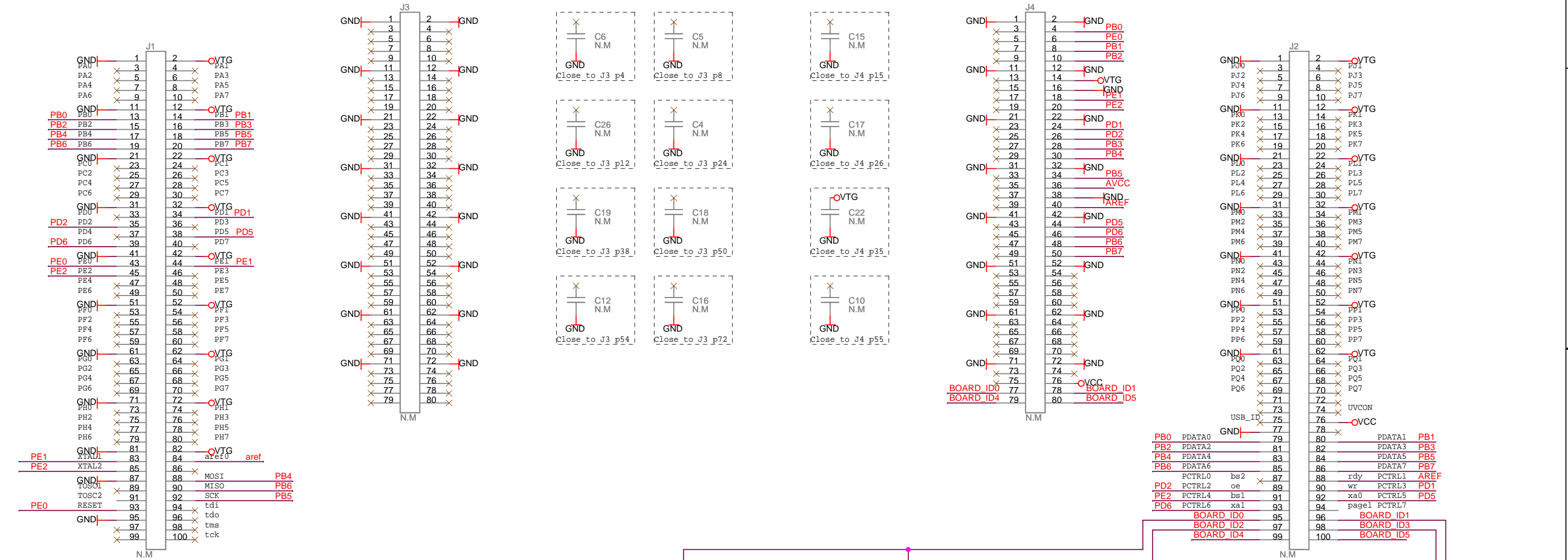
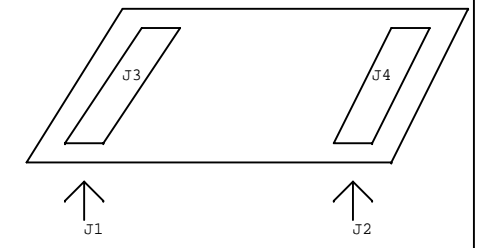
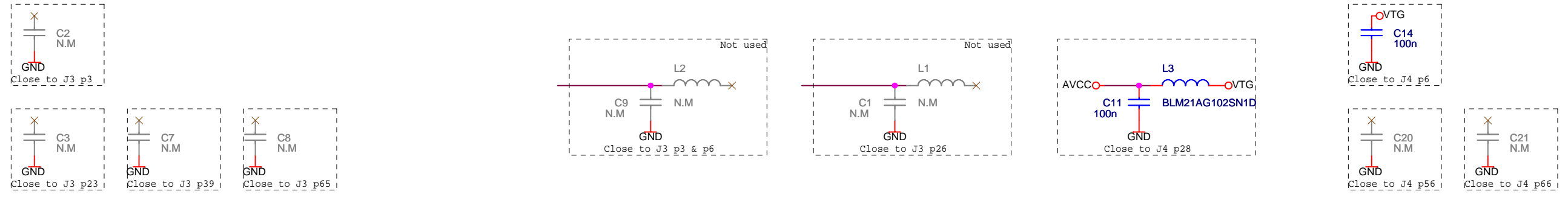


STK600-RCPWM-26 Routing card

J3 and J4 mates up to the socket card, while J1 and J2 goes down to the mother board. J1 is physical placed below J3, and J2 below J4.



ATMEL Norway AS
Vestre Rosten 79
N-7075 TILLER
Norway

ATMEL

Title: STK600-RC020T-23 routing card

Size: A3	Document Number: <Doc>	Rev: A
----------	------------------------	--------

Date: Tuesday, October 30, 2007 | Sheet: 1 of 1

A08-0436.A

AMEYA360

Components Supply Platform

Authorized Distribution Brand :



Website :

Welcome to visit www.ameya360.com

Contact Us :

➤ Address :

401 Building No.5, JiuGe Business Center, Lane 2301, Yishan Rd
Minhang District, Shanghai , China

➤ Sales :

Direct +86 (21) 6401-6692

Email amall@ameya360.com

QQ 800077892

Skype ameyasales1 ameyasales2

➤ Customer Service :

Email service@ameya360.com

➤ Partnership :

Tel +86 (21) 64016692-8333

Email mkt@ameya360.com