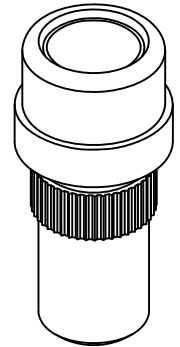
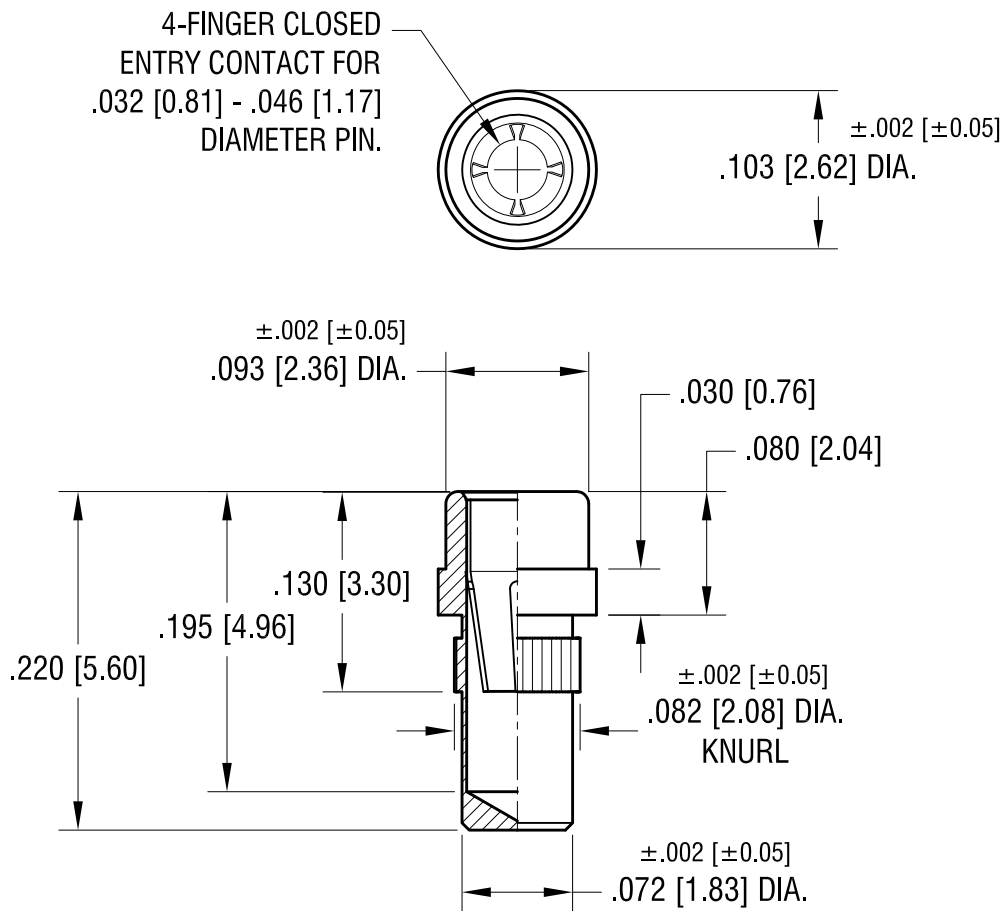


THIS DOCUMENT IS THE PROPERTY OF
KEYSTONE ELECTRONICS CORP. AND
SHALL NOT BE REPRODUCED, DISTRIBUTED
OR USED AS A BASIS FOR MANUFACTURE
WITHOUT PRIOR WRITTEN PERMISSION
FROM KEYSTONE ELECTRONICS CORP.



NOTES:

1. BODY: MAT'L - BRASS
FINISH- TIN / LEAD PLATE
2. SPRING CONTACT: MAT'L - BERYLLIUM COPPER
FINISH- GOLD PLATE
3. MOUNTING HOLE DIA.: .078 [1.98] MIN.

| | | | |
|---|-----------------------|-----------------------|---------|
| KEYSTONE ELECTRONICS CORP. | | | |
| www.keyelco.com • ASTORIA, N.Y. 11105-2017 • Tel (718) 956-8900 | | | |
| PART NAME | | MICRO JACK, PRESS-FIT | |
| MATERIAL | | AS NOTED | |
| FINISH | DRN BY | DATE | |
| AS NOTED | NT | 8.06.08 | |
| | APP'D | SCALE | |
| | LN | 8X | |
| TOLERANCES | INCH [MM] | CODE | DWG NO. |
| DECIMAL | $\pm .005 [\pm 0.13]$ | C/M | 1473 |
| ANGULAR | $\pm 1^\circ$ | | |
| UNLESS OTHERWISE SPECIFIED | | | |

| | | |
|---------|--------------------------|------|
| 2.28.12 | CHANGE AS PER ECN 12-027 | A |
| DATE | DESCRIPTION | REV. |

AMEYA360

Components Supply Platform

Authorized Distribution Brand :



Website :

Welcome to visit www.ameya360.com

Contact Us :

➤ Address :

401 Building No.5, JiuGe Business Center, Lane 2301, Yishan Rd
Minhang District, Shanghai , China

➤ Sales :

Direct +86 (21) 6401-6692

Email amall@ameya360.com

QQ 800077892

Skype [ameyasales1](#) [ameyasales2](#)

➤ Customer Service :

Email service@ameya360.com

➤ Partnership :

Tel +86 (21) 64016692-8333

Email mkt@ameya360.com