

|   |          |           |           |     |                           |         |     |      |
|---|----------|-----------|-----------|-----|---------------------------|---------|-----|------|
| WAR NR. —   | LOC<br>A | DIST<br>— | REVISIONS |     |                           |         |     |      |
|   |          |           | P         | LTR | DESCRIPTION               | DATE    | DWN | APVD |
| PASSEND ZU —  |          |           | P         |     | REVISED PER ECO-11-005301 | 02MAR11 | RK  | HMR  |
| ÄNDERUNGEN, DIE DEM<br>TECHNISCHEN FORT-<br>SCHRITT DIENEN, BE-<br>HALTEN WIR UNS VOR |          |           |           |     |                           |         |     |      |

RELEASED FOR PUBLICATION  
ALL RIGHTS RESERVED.


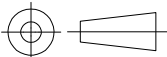
THIS DRAWING IS UNPUBLISHED.

By —  
COPYRIGHT —

SIEHE ZEICHNUNG  
826 629 BLATT 2

VON DIESER ZEICHNUNG GIBT ES KEIN ORIGINAL

|             |           |                     |  |
|-------------|-----------|---------------------|--|
| —           | —         | —                   | —  |
| BESTELL-NR. | WERKSTOFF | OBERFLÄCHE<br>FARBE | VERWENDET FÜR —<br>ZEICHNUNG GÜLTIG AB ..... |

|   |                    |  |                            |
|---|--------------------|--|----------------------------|
| DIMENSIONS:<br>mm   | DWN —              | MATERIAL —   | FINISH —                   |
|   | CHK —              |  TE Connectivity |                            |
| TOLERANCES UNLESS<br>OTHERWISE SPECIFIED:   | APVD —             |  |                            |
| 0 PLC ± —   | PRODUCT SPEC —     | SIZE   | CAGE CODE                  |
| 1 PLC ± —   | APPLICATION SPEC — | A4   | 00779                      |
| 2 PLC ± —   | WEIGHT —           | DRAWING NO   | RESTRICTED TO              |
| 3 PLC ± —   |                    | C-826942   | —                          |
| 4 PLC ± —   |                    |  |                            |
| ANGLES ± —  |                    |  |                            |
|  |                    | CUSTOMER DRAWING   | SCALE — SHEET 1 OF 1 REV P |

# AMEYA360

## Components Supply Platform

### Authorized Distribution Brand :



### Website :

Welcome to visit [www.ameya360.com](http://www.ameya360.com)

### Contact Us :

#### ➤ Address :

401 Building No.5, JiuGe Business Center, Lane 2301, Yishan Rd  
Minhang District, Shanghai , China

#### ➤ Sales :

Direct +86 (21) 6401-6692

Email [amall@ameya360.com](mailto:amall@ameya360.com)

QQ 800077892

Skype [ameyasales1](#) [ameyasales2](#)

#### ➤ Customer Service :

Email [service@ameya360.com](mailto:service@ameya360.com)

#### ➤ Partnership :

Tel +86 (21) 64016692-8333

Email [mkt@ameya360.com](mailto:mkt@ameya360.com)