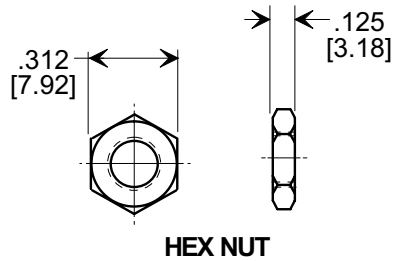
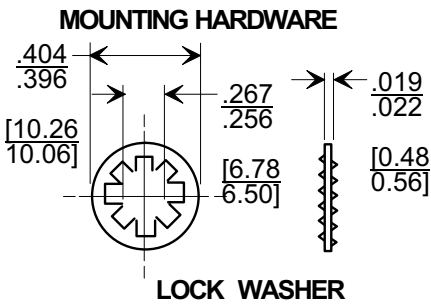
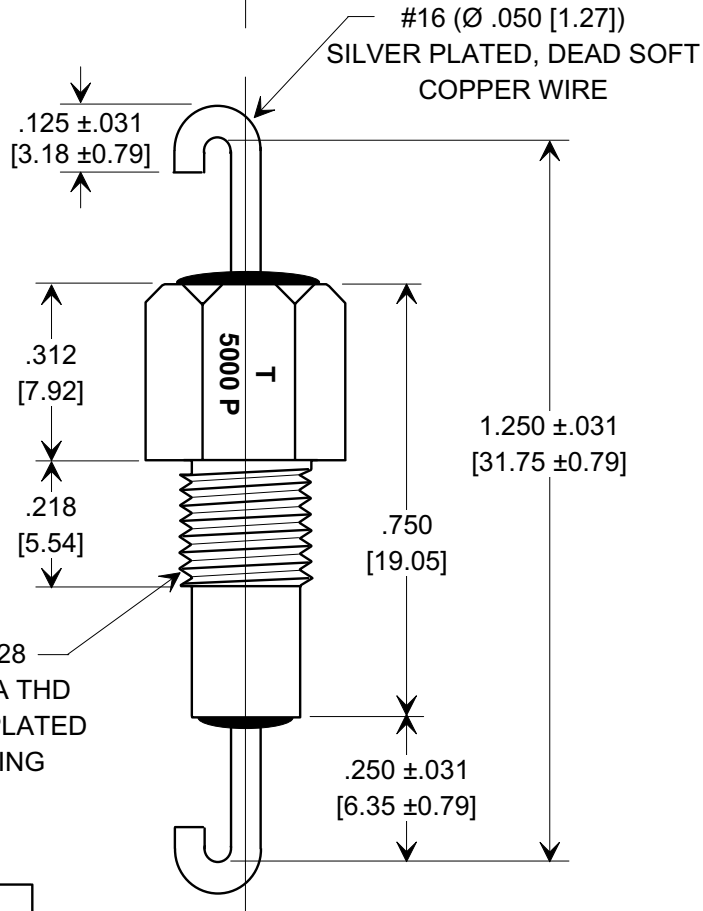
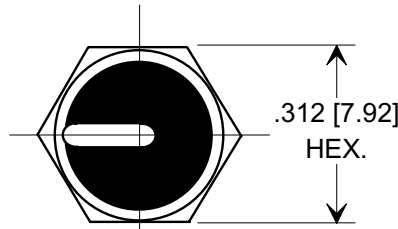
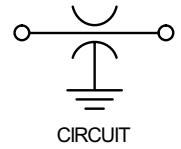
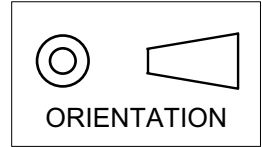


MARKETING SALES DRAWING
DIMENSIONS IN INCHES - DO NOT SCALE THIS DRAWING
DIMENSIONS IN METRIC - []

This drawing is the property of Tusonix, Inc., and may not be used, reproduced, published or disclosed to others without expressed authorization by Tusonix Inc.

Electrical Testing
per Tusonix standard
test plans and Mil-Std-202
Test Methods.



1/4" 28
UNF - 2A THD
SILVER PLATED
BUSHING

SPECIFICATIONS

STYLE:	327-010
CAPACITANCE	5000 pF
CAP. TOL.	-0% +100 %
TEMP. COEF.	X5U
WORKING VOLTAGE	500 VDC @ 85°
TEMP. RANGE	-55 TO +85°C
I.R. MIN. @ 100 (VDC)	10 G Ω
DWV (VDC)	1500

NOTES:

- TUSONIX STANDARD PART NUMBER: 327-010-X5U0-502P.
TUSONIX RoHS COMPLIANT PART NUMBER: 327-010-X5U0-502P LF.
CUSTOMER MUST SPECIFY STANDARD OR RoHS PART NUMBER WHEN ORDERING.
- PART MARKING: TRADEMARK AND VARIATION NUMBER ON HEX FLATS.
STANDARD PART: BLACK INK. RoHS PART: GREEN INK.
- LOCK WASHER AND HEX NUT ARE SILVER PLATED.

REVISION RECORD

Original Release	0
C.O. 20020429-1-01	
ADDED NOTES 1 & 2, I.R. & DWV. S.M. 06-09-06	
20060605-5-04	1

--TOLERANCES-- Unless Otherwise Specified	Title FEED-THRU CAPACITOR	
DECIMAL ± .015 [0.38]	Drawn S.M. 04-29-02	Scale 3 X
ANGLES ±	Approved T.C. 04-29-02	
TUSONIX TUCSON, ARIZONA	A	327-010-X5U0-502P

X-2015 Rev-0

AMEYA360

Components Supply Platform

Authorized Distribution Brand :



Website :

Welcome to visit www.ameya360.com

Contact Us :

➤ Address :

401 Building No.5, JiuGe Business Center, Lane 2301, Yishan Rd
Minhang District, Shanghai , China

➤ Sales :

Direct +86 (21) 6401-6692

Email amall@ameya360.com

QQ 800077892

Skype [ameyasales1](#) [ameyasales2](#)

➤ Customer Service :

Email service@ameya360.com

➤ Partnership :

Tel +86 (21) 64016692-8333

Email mkt@ameya360.com