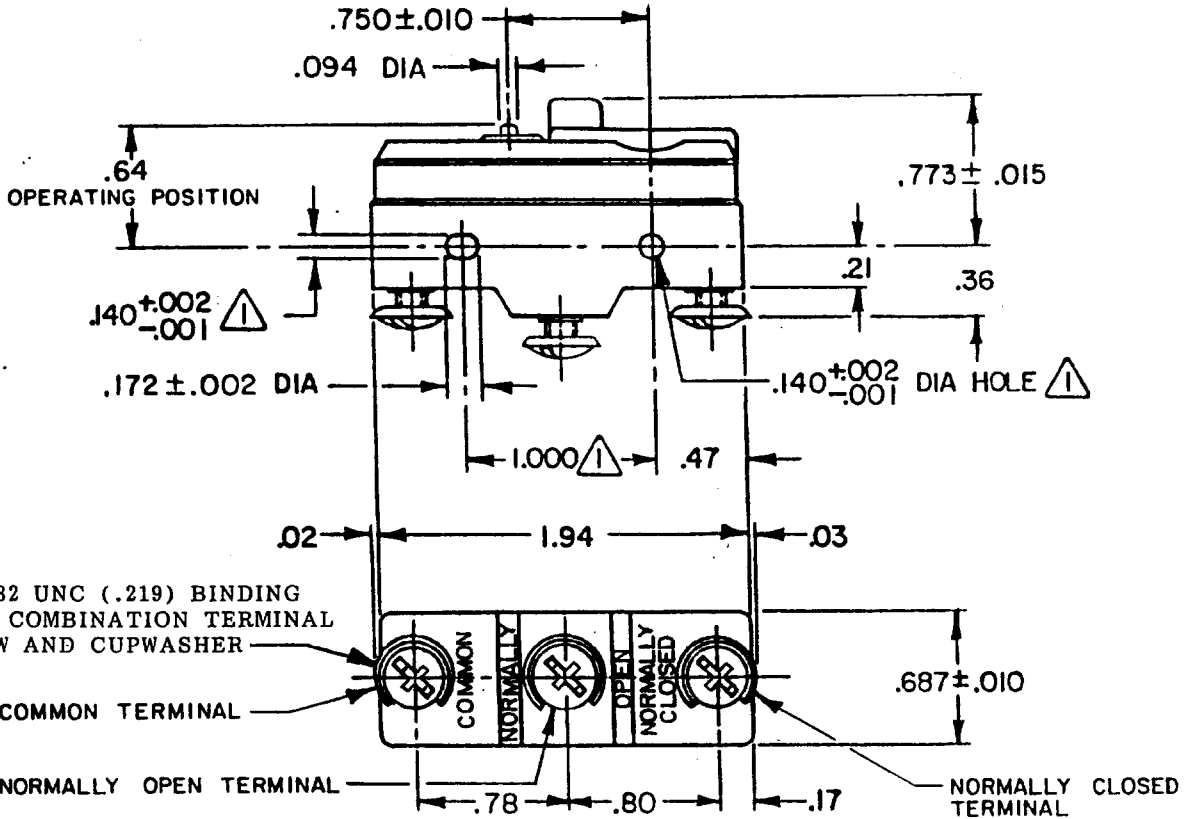
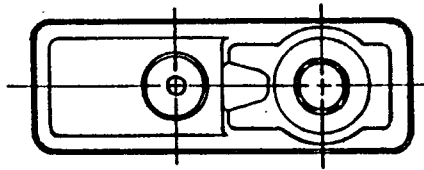


MICRO SWITCH

FREEMONT ILLINOIS, U.S.A.
A DIVISION OF HONEYWELL INC.
FED. MFG. CODE 91929

SWITCH - BASIC

CATALOG LISTING
10BS228



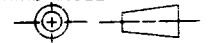
3X 8-32 UNC (.219) BINDING HEAD COMBINATION TERMINAL SCREW AND CUPWASHER

NOTES

- 1 MOUNTING HOLES WILL ACCEPT PINS OR SCREWS OF $.139$ MAX DIA ON $1.000 \pm .002$ CENTERS
- 2 - ADJUSTING SCREW BUSHING IS AT SAME ELECTRICAL POTENTIAL AS NORMALLY CLOSED TERMINAL

THIS DRAWING COVERS A PROPRIETARY ITEM AND IS THE PROPERTY OF MICRO SWITCH, A DIVISION OF HONEYWELL. THIS DRAWING IS NOT TO BE COPIED OR USED WITHOUT THE APPROVAL OF MICRO SWITCH.

THIRD ANGLE PROJECTION



CHARACTERISTICS

OPERATING FORCE ----- 32 OZ MAX
RELEASE FORCE ----- 10 OZ MIN
DIFFERENTIAL TRAVEL ----- .010 MIN
OVERTRAVEL ----- .010 MIN

ELECTRICAL DATA

CONTACT ARRANGEMENT
S P D T

20A 125, 250 OR 480 VAC
3/4 HP 125 VAC, 1 1/2 HP 250 VAC

RU **SP**

60 / 75° (CU)

SCALE FULL

DO NOT SCALE PRINT

UNLESS OTHERWISE SPECIFIED TOLERANCES ARE

ONE PLACE (.0) $\pm .030$
TWO PLACE (.00) $\pm .015$
THREE PLACE (.000) $\pm .005$
ANGLES $\pm 10^\circ$

RAW MATERIAL - COMMERCIAL STANDARD

DIMENSIONS ARE IN INCHES AND ARE TO BE MET BEFORE PROTECTIVE COATINGS ARE APPLIED

MICRO SWITCH STANDARDS APPLY

WEIGHT

10BS228

M

DRAWING NUMBER

ISSUE

3

REVISIONS

| | | | |
|---|------------|-------|-----------|
| A | CO-73267-C | J A | 20 OCT 93 |
| B | CO-80988 | J J A | 5 JUN 95 |

REPLACES X84699-10BS

RELEASE NO. PR-15873

CHECK

CHECK

3 SEP 87

CHECK

1 SEP 87

DRAWN

FO-52848-B

AMEYA360

Components Supply Platform

Authorized Distribution Brand :



Website :

Welcome to visit www.ameya360.com

Contact Us :

➤ Address :

401 Building No.5, JiuGe Business Center, Lane 2301, Yishan Rd
Minhang District, Shanghai , China

➤ Sales :

Direct +86 (21) 6401-6692

Email amall@ameya360.com

QQ 800077892

Skype [ameyasales1](#) [ameyasales2](#)

➤ Customer Service :

Email service@ameya360.com

➤ Partnership :

Tel +86 (21) 64016692-8333

Email mkt@ameya360.com