

# Spotlight Cooler 34W LED Heat Sink

**This LED Heatsink is part of the Aavid scalable LED portfolio.**

**Future proof** – Designed with the rapidly evolving light engine industry in mind, thermal performance can be easily increased or decreased without a luminaire redesign by adding or removing a SynJet Cooler

**Flexibility** – Configure to order luminaire production process, use heatsinks for low lumen applications and the SynJet Cooler with heatsink for higher lumen versions

**Freedom** – Compatible with most major light engines so thermal solutions and mechanical interfaces do not have to be redesigned when changing light engines

**Fast** – In stock and ready for overnight delivery, worldwide



## Specifications

### Thermal<sup>1</sup>

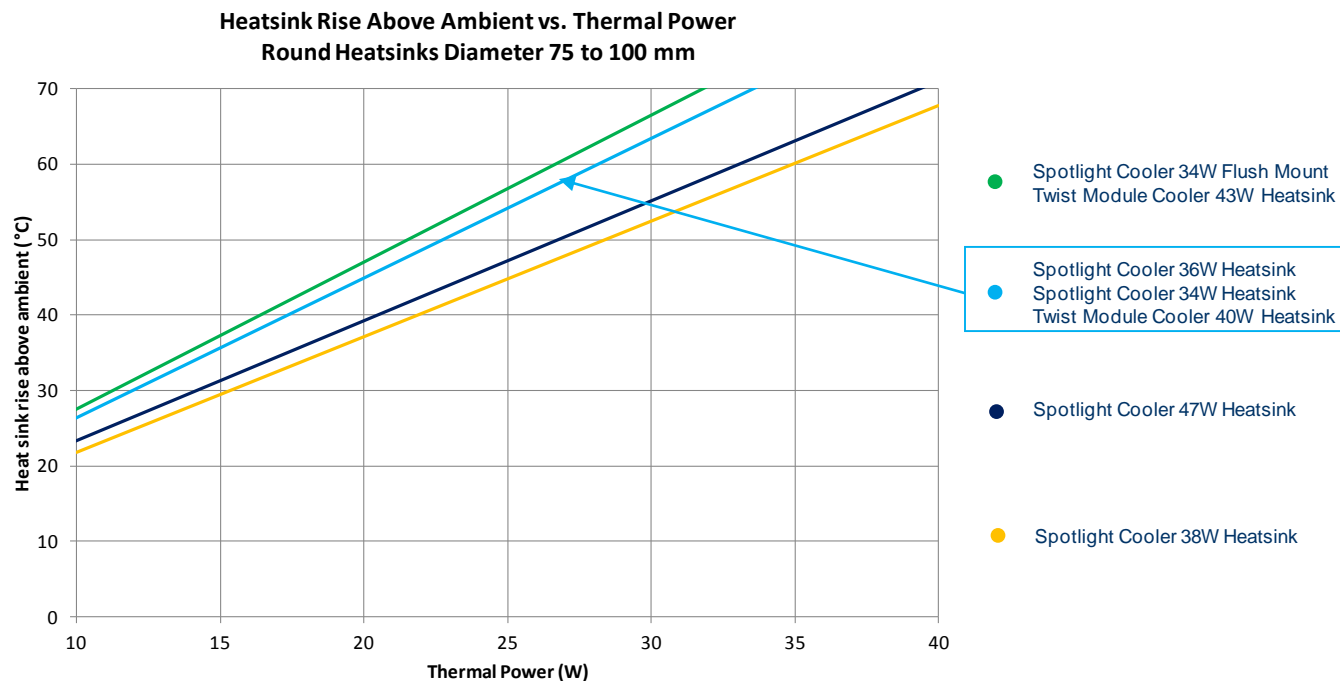
Thermal Wattage	Heatsink $\Theta_{s-a}^2$	Heat Sink $T_{\text{Rise Above Ambient}}$
10 W	2.6 (°C/W)	26 (°C)
16 W	2.3 (°C/W)	37 (°C)
22 W	2.2 (°C/W)	49 (°C)

### Mechanical

<b>Material</b>	6063-T5 Al Extrusion
<b>Finish</b>	Black Anodized
<b>Weight</b>	214g
<b>Regulatory</b>	RoHS

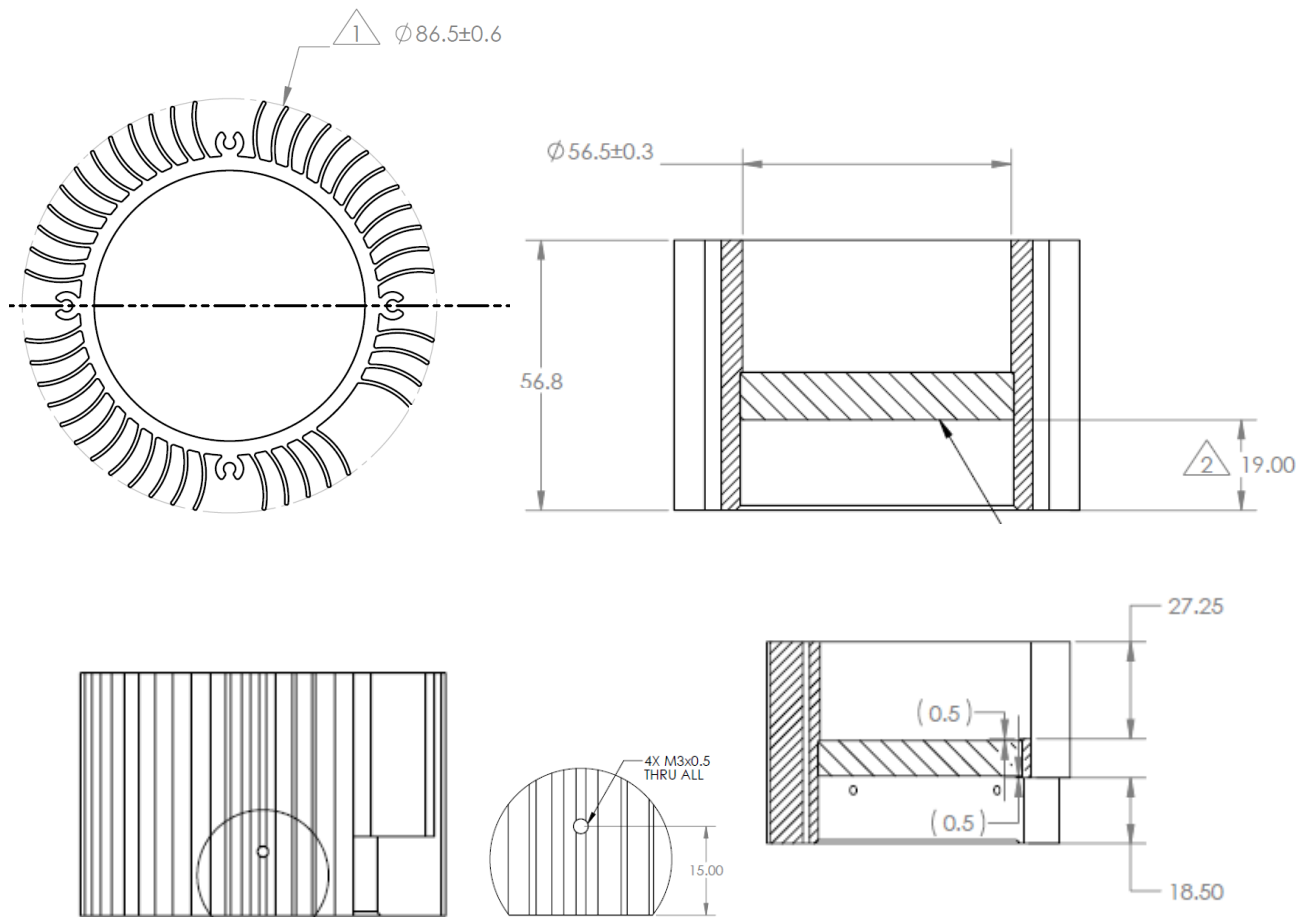
Size
Diameter: 87 mm
Height: 57 mm

The chart below summarizes the thermal performance of all round LED heatsink solutions with diameters from 75 to 100 mm.



<sup>1</sup> All values are typical at 25°C unless otherwise stated.

<sup>2</sup> Thermal resistance values are given as reference only and are measured in free air without airflow obstructions. Thermal resistance is measured from the bottom middle of the heat sink to ambient air, with a heat source of 19 cm<sup>2</sup>. Actual thermal performance may vary by application and final product design should be tested to assure proper thermal performance.

**Mechanical – LED heat sink (Configurable version shown)**


All dimensions are nominal and in mm unless otherwise stated. See product drawings for more detail.

**Part Numbers**

Part Number	Description	Notes
HSLCS-CALBL-001	Heatsink, 34W, Spotlight Cooler, Philips SLM, Vossloh-Schwabe, Black	Has mounting holes for Philips SLM or Vossloh-Schwabe
HSLCS-CALBL-002	Heatsink, 34W, Spotlight Cooler, Osram PrevaLED, Black	Has mounting holes for Osram PrevaLED
HSLCS-CALBL-003	Heatsink, 34W, Spotlight Cooler, Configurable, Black	Mounting surface does not have mounting holes
HSLCS-CALBL-006	Heatsink, 34W, Spotlight Cooler, Xicato XSM, Black	Has mounting holes for Xicato XSM Modules
HSLCS-CALBL-008	Heatsink, 34W, Spotlight Cooler, Bridgelux ES, Black	Has mounting holes for Bridgelux
HSLCS-CALBL-018	Heatsink, 34W, Spotlight Cooler, Zhaga B3, Tridonic, Black	Has mounting holes for Zhaga Spot Modules
HSLCS-CALBL-029	Heatsink, 34W, Spotlight Cooler, Xicato XSM M3, Black	Has mounting holes for Xicato XSM M3 Modules
HSLCS-CALBL-033	Heatsink, 34W, Spotlight Cooler, Bridgelux Vero 13/18, ES, Molex, Black	Has mounting holes for Bridgelux and Molex

Aavid reserves the right to make changes to the products or information contained herein without notice. No liability is assumed as a result of their use or applications. For additional information, please contact Aavid directly.

# AMEYA360

## Components Supply Platform

Authorized Distribution Brand :



Website :

Welcome to visit [www.ameya360.com](http://www.ameya360.com)

Contact Us :

➤ Address :

401 Building No.5, JiuGe Business Center, Lane 2301, Yishan Rd  
Minhang District, Shanghai , China

➤ Sales :

Direct +86 (21) 6401-6692

Email [amall@ameya360.com](mailto:amall@ameya360.com)

QQ 800077892

Skype [ameyasales1](#) [ameyasales2](#)

➤ Customer Service :

Email [service@ameya360.com](mailto:service@ameya360.com)

➤ Partnership :

Tel +86 (21) 64016692-8333

Email [mkt@ameya360.com](mailto:mkt@ameya360.com)