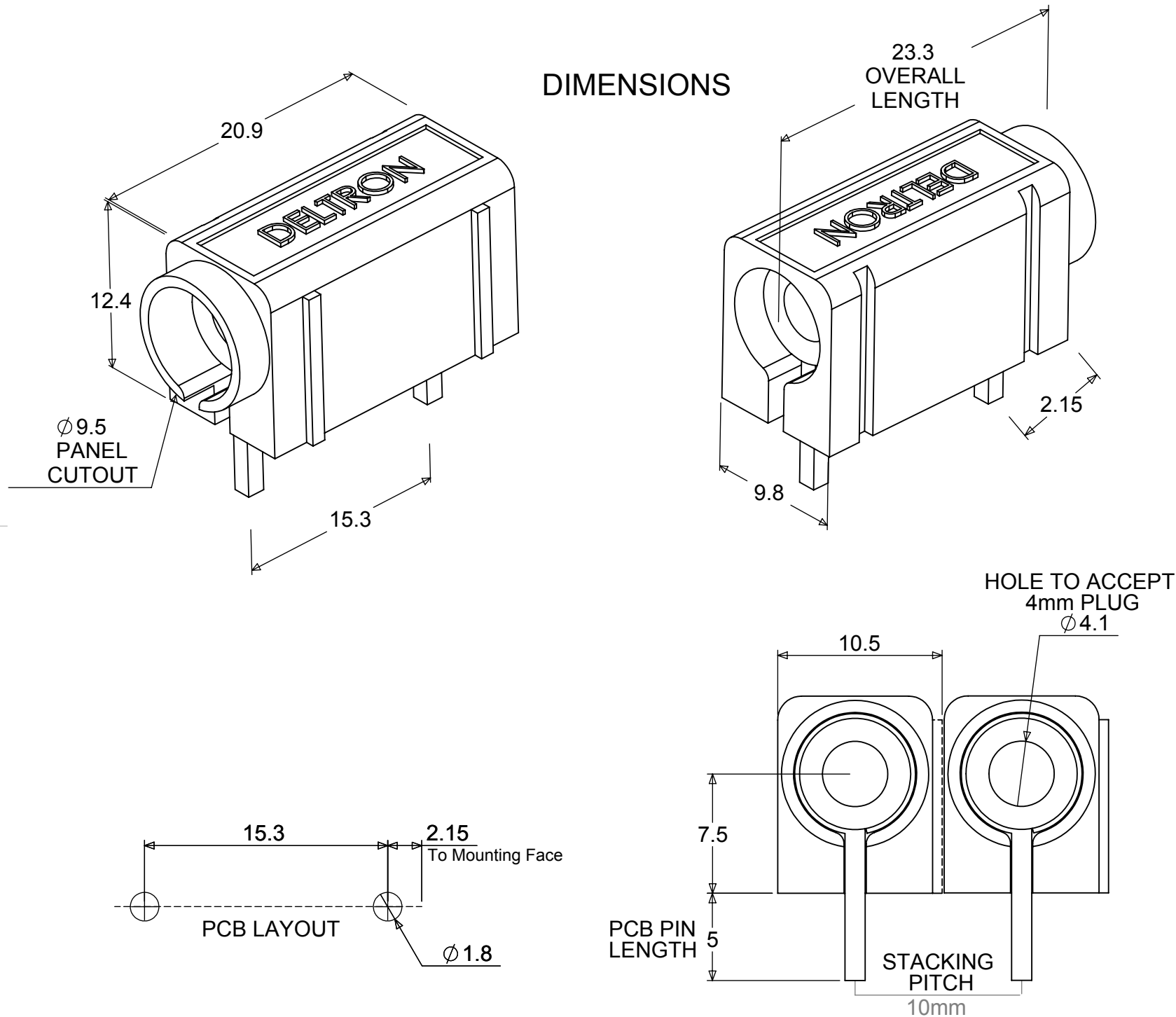


An insulated 4mm socket, for direct mounting onto a printed circuit boards.  
Grooves in the outer acetal housing provide stacking alignment for board space saving.

**DIMENSIONS**



<b>Insulant</b>	Acetal-LG chemical LUCCEL N127-LD/DN127-LD	Acetal - C27021 R
<b>Pin</b>	Brass silver plate	Brass Micron Silver Plated Deltron Spec 09-001
<b>Bush</b>	Brass silver plate	Brass Micron Silver Plated Deltron Spec 10-001
<b>Amps</b>	10A	
<b>Nominal working Voltage</b>	250 V RMS	
<b>Contact Resistance</b>	10mΩ	
<b>Maximum Temperature RTI</b>	+ 110°C	
<b>Minimum temperature</b>	- 25°C	
<b>Recommended Temperature</b>	10A'@55°C	
<b>Voltage Breakdown</b>	5000v	
<b>Conductor size</b>	1.5mm <sup>2</sup>	
<b>Colours</b>	ORDER CODE	
<b>Black</b>	571-0100	
<b>Blue</b>	571-0200	
<b>Brown</b>	571-0300	
<b>Green</b>	571-0400	
<b>Red</b>	571-0500	
<b>White</b>	571-0600	
<b>Yellow</b>	571-0700	

Component complies with 260° deg J-STD-075  
Non-IC Electronic Components Standard  
Met PSL W4

90° PCB MOUNTED INSULATED SOCKET-SINGLE



**PROPRIETARY AND CONFIDENTIAL**  
THE INFORMATION CONTAINED IN THIS  
DRAWING IS THE SOLE PROPERTY OF  
**DEM MANUFACTURING.**  
ANY REPRODUCTION IN PART OR AS A  
WHOLE WITHOUT THE WRITTEN  
PERMISSION OF **DEM MANUFACTURING**  
IS PROHIBITED.



Drawn by SPB 19/02/09  
FINISH:  
THIRD ANGLE PROJECTION  
DEBUR AND BREAK SHARP EDGES  
IF IN DOUBT ASK DO NOT SCALE DRAWING

UNLESS OTHERWISE SPECIFIED:  
DIMENSIONS ARE IN MILLIMETRES  
LINEAR TOLERANCES:  
NO DECIMAL PLACES ±0.5mm  
1 DECIMAL PLACE ±0.1mm  
2 DECIMAL PLACES ±0.03mm  
ANGULAR TOLERANCES: ±1°  
MATERIAL:

A3  
TITLE: **GENERAL SPECIFICATION FOR 571 SERIES**  
DWG NO. **571-SERIES**  
13  
ISSUE

# AMEYA360

Components Supply Platform

## Authorized Distribution Brand :



## Website :

Welcome to visit [www.ameya360.com](http://www.ameya360.com)

## Contact Us :

### ➤ Address :

401 Building No.5, JiuGe Business Center, Lane 2301, Yishan Rd  
Minhang District, Shanghai , China

### ➤ Sales :

Direct +86 (21) 6401-6692

Email [amall@ameya360.com](mailto:amall@ameya360.com)

QQ 800077892

Skype ameyasales1 ameyasales2

### ➤ Customer Service :

Email [service@ameya360.com](mailto:service@ameya360.com)

### ➤ Partnership :

Tel +86 (21) 64016692-8333

Email [mkt@ameya360.com](mailto:mkt@ameya360.com)