

P25 Rotary Code Switch

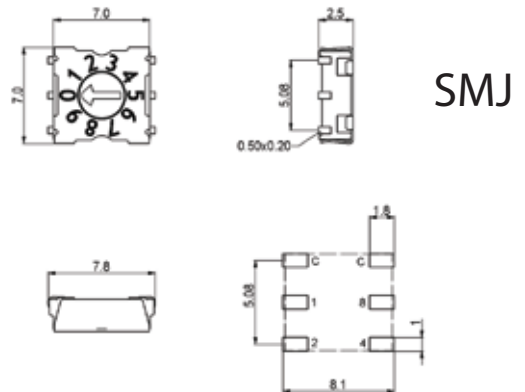
- ▷ 2.5mm height
- ▷ 7.0mm length
- ▷ Lateral C-contact
- ▷ SMJ, SMT-Pins
- ▷ Contacts with hard gold plating
- ▷ Solid, tinned PCB pins



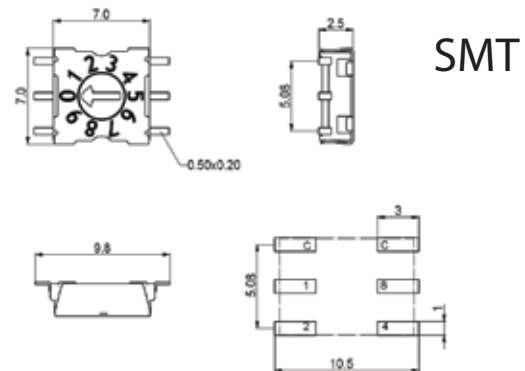
Technical Data

Dimensions

Height	2.5mm
Length	7.0mm
Width	7.0mm
Pin connection	3+3, lateral C-contact
Perm. ambient temperature	-50...+125°C
Perm. storage temperature	-55...+135°C
Torque	min. 0.7Ncm
Positions per rotation	10, 16
Operating voltage	42V
Contact load, static	0.4A
Contact load, dynamic	0.1A
Minimum load	1µA 20mV DC
Test voltage	250V 50Hz/1min
Contact resistance	<80m
Insulation resistance	100M
Vibration, Shock	DIN EN 60068-2-6 DIN EN 60068-2-27
Humidity	21days at 40°C 93% RH
Reflow soldering max.	10s/260°C



SMJ



SMT



Life size

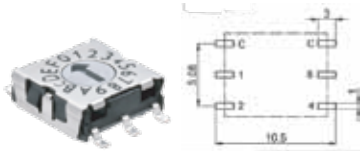
P25 Rotary Code Switch

Features and Order Code

1

CONTACT PINS

SMT

 Code: P25 **SMT**


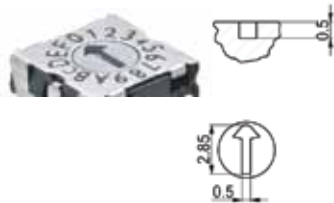
J-Hook

 Code: P25 **SMJ**

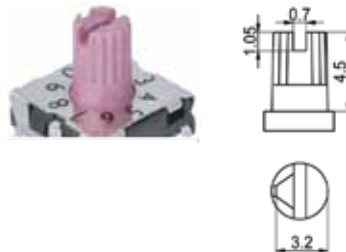
2

ACTUATORS

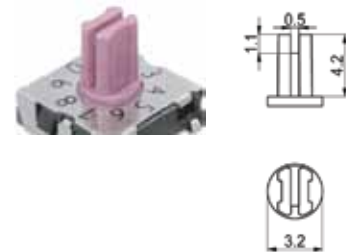
Arrow shaped slot

 Code: P25


Spindle

 Code: P25


Slotted spindle

 Code: P25

3

CODES

Positions Rotor

BCD	10	red	Code: P25 <input type="text" value="1"/> <input type="text" value="2"/> <input type="text" value="01"/> <input type="text" value="4"/>
BCD Complement	10	orange	Code: P25 <input type="text" value="1"/> <input type="text" value="2"/> <input type="text" value="02"/> <input type="text" value="4"/>
Hexadecimal	16	gray	Code: P25 <input type="text" value="1"/> <input type="text" value="2"/> <input type="text" value="03"/> <input type="text" value="4"/>
Hexadecimal Complement	16	white	Code: P25 <input type="text" value="1"/> <input type="text" value="2"/> <input type="text" value="06"/> <input type="text" value="4"/>

4

Packing

 Tape & Reel Packing Code: P25 **TR**

AMEYA360

Components Supply Platform

Authorized Distribution Brand :



Website :

Welcome to visit www.ameya360.com

Contact Us :

➤ Address :

401 Building No.5, JiuGe Business Center, Lane 2301, Yishan Rd
Minhang District, Shanghai , China

➤ Sales :

Direct +86 (21) 6401-6692

Email amall@ameya360.com

QQ 800077892

Skype [ameyasales1](#) [ameyasales2](#)

➤ Customer Service :

Email service@ameya360.com

➤ Partnership :

Tel +86 (21) 64016692-8333

Email mkt@ameya360.com