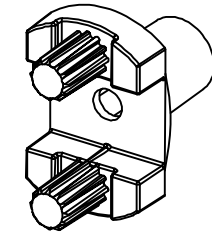
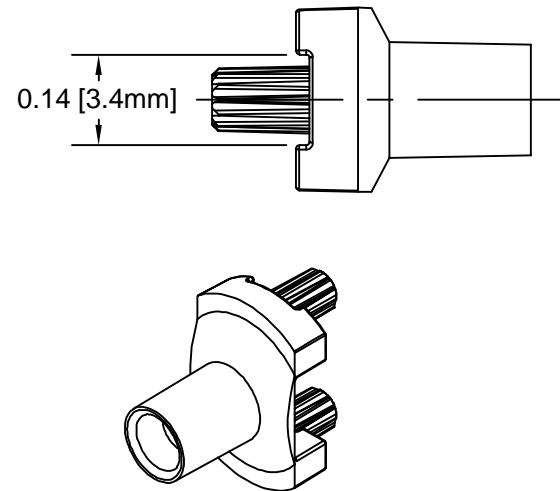
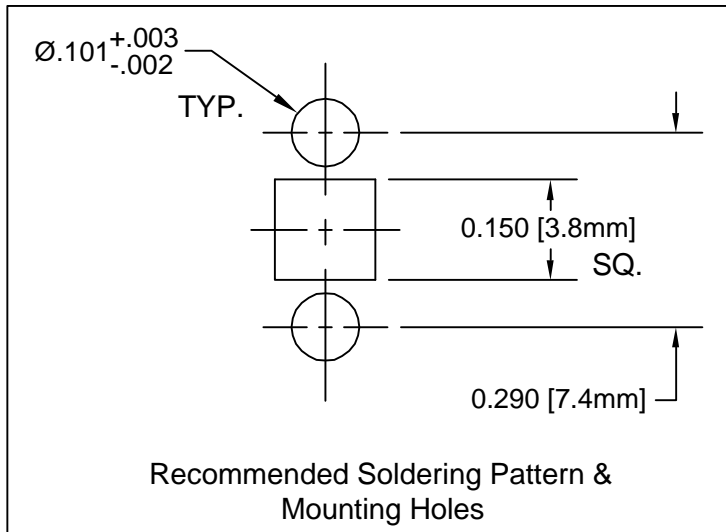
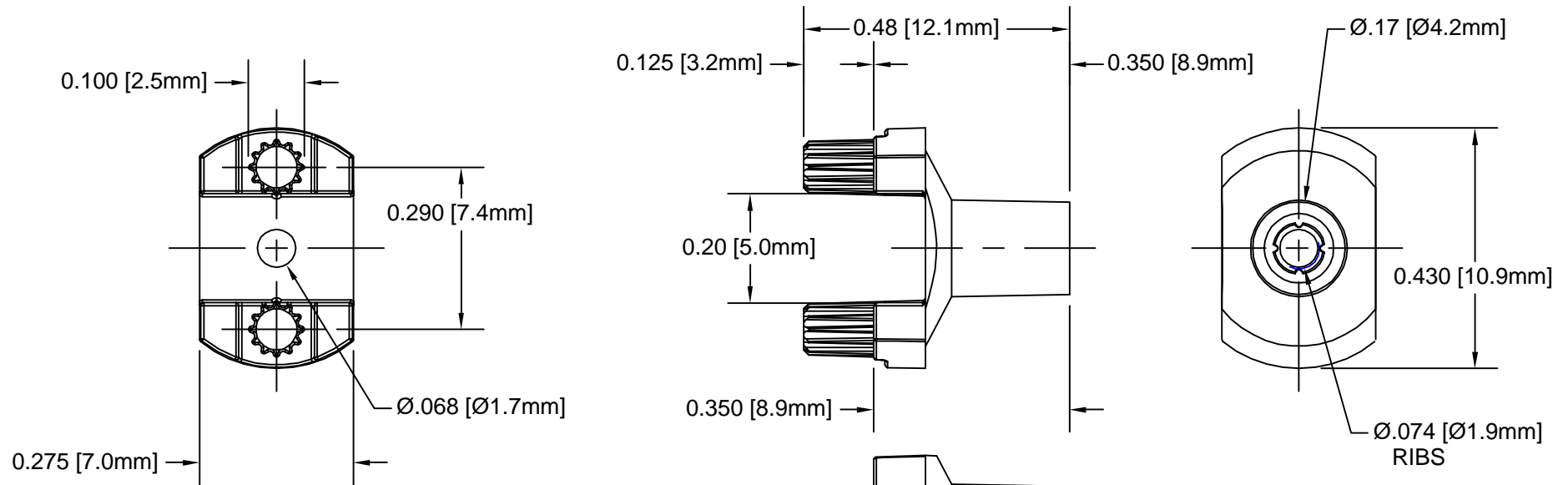


REV.	DESCRIPTION	DATE	APPROVED
E	Engineering Update w/o Changes	03/08/04	M. C.



2. MATERIAL: NYLON 6/6 , 94V-0, BLACK, BIVAR MATERIAL CODE 22-BK
RTP POLYAMIDE NYLON 6/6, RTP 0200 FR BLACK
1. GENERAL SPECIFICATIONS: BIVAR MOLDED COMPONENT SPECIFICATION BV00-E101.

STANDARD TOLERANCE (UNLESS OTHERWISE SPECIFIED)		BIVAR [®]	
DECIMALS	ANGULAR	4 THOMAS, IRVINE, CA. 92618	
.X ± .1	X° ± 1°	TEL: (949) 951-8808 FAX: (949) 951-3974	
.XX ± .01		TITLE: ADAPTER, SURFACE MOUNT FLEXIBLE LIGHT PIPE	
.XXX ± .005		PART NO: SMFLP	REVISION: E
DESIGNED: Michael Chen	DATE: 01/15/02	CAGE CODE : 32559	SHEET # 1 OF 1
CHECKED: E. M. Muldoon	DATE: 02/18/02	CAD GENERATED DOCUMENT, DO NOT MEASURE DRAWING.	

AMEYA360

Components Supply Platform

Authorized Distribution Brand :



Website :

Welcome to visit www.ameya360.com

Contact Us :

➤ Address :

401 Building No.5, JiuGe Business Center, Lane 2301, Yishan Rd
Minhang District, Shanghai , China

➤ Sales :

Direct +86 (21) 6401-6692

Email amall@ameya360.com

QQ 800077892

Skype [ameyasales1](#) [ameyasales2](#)

➤ Customer Service :

Email service@ameya360.com

➤ Partnership :

Tel +86 (21) 64016692-8333

Email mkt@ameya360.com