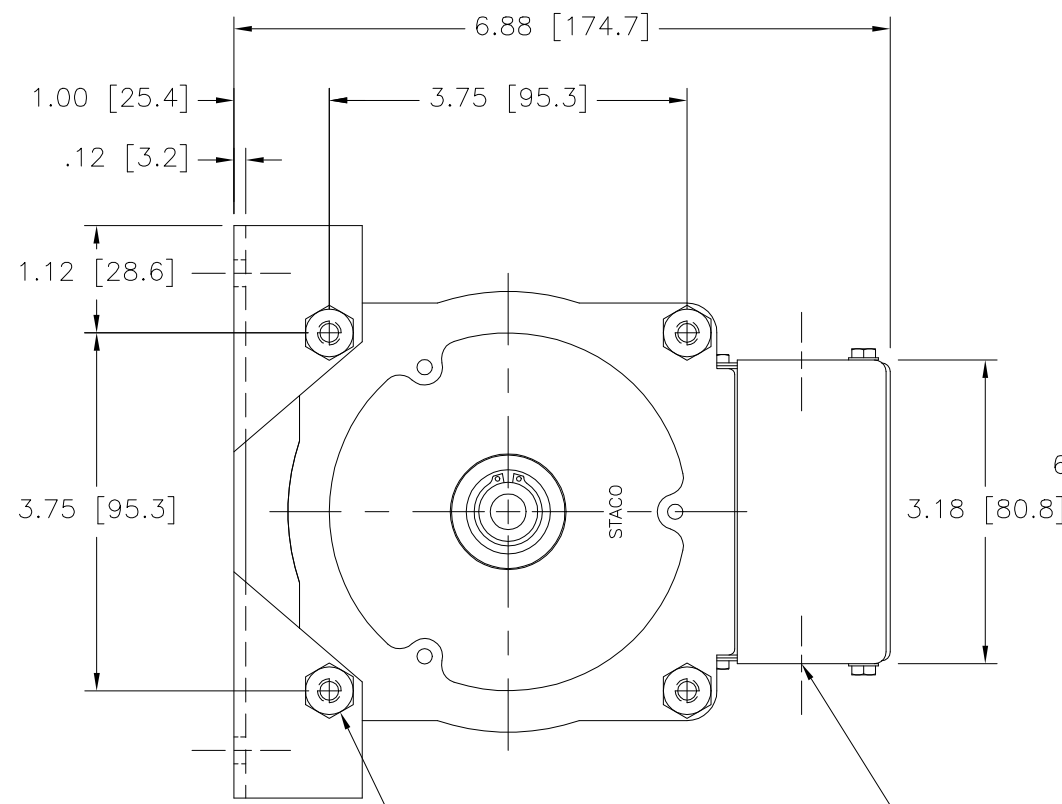
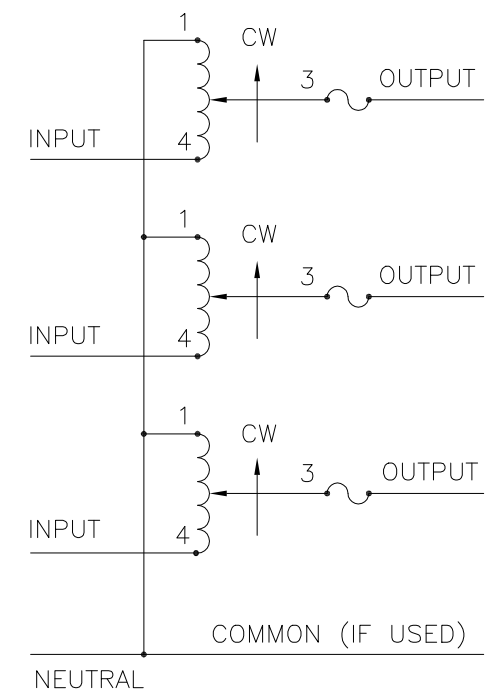
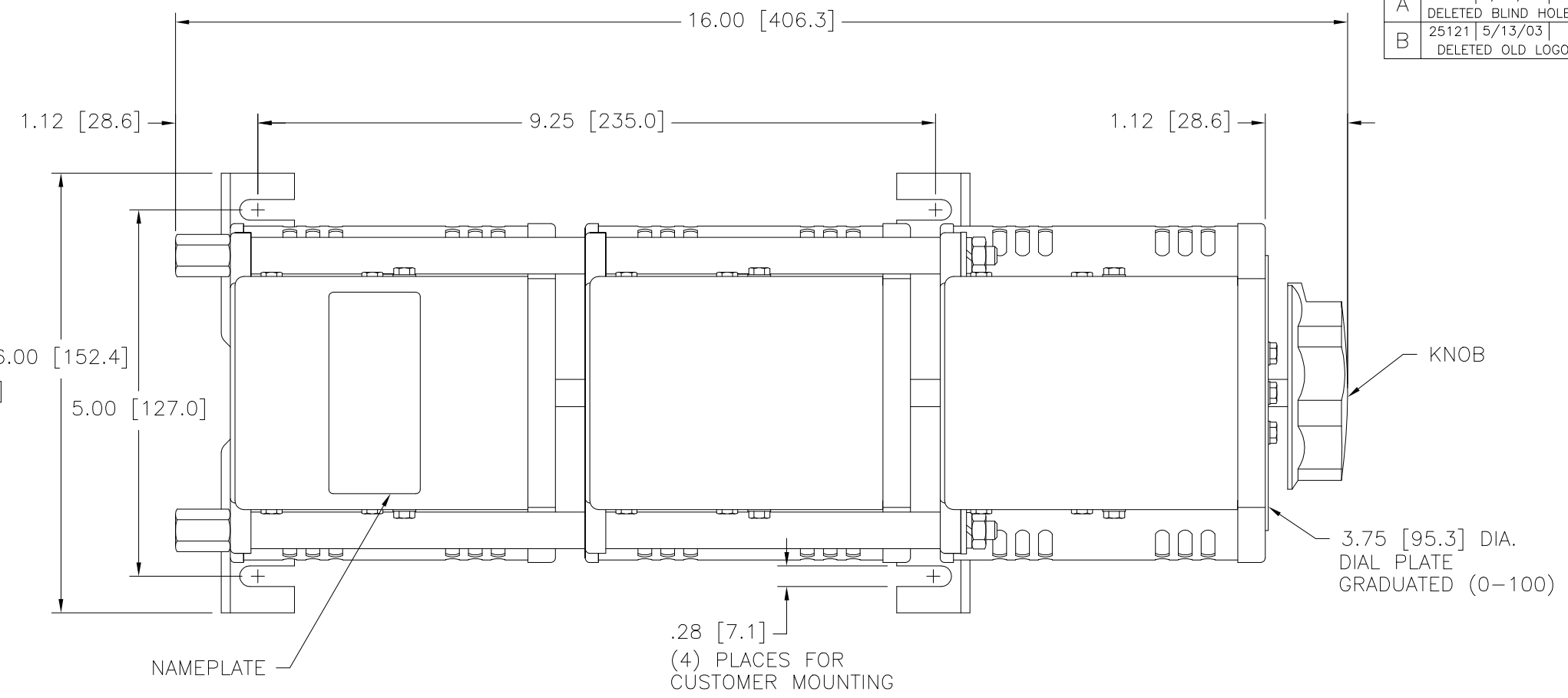


DWG. NO.	031-3028		
REVISIONS			
SYM.	E.C.N.	DATE	APVD.
A	24194	4/10/00	DELETED BLIND HOLES
B	25121	5/13/03	DELETED OLD LOGO



(4) STANDOFFS TAPPED  
1/4-28 X .38 [9.5] DEEP  
FOR MOUNTING BOLTS

.88 [22.2] DIA. KNOCKOUT  
(7) PLACES FOR  
WIRING CONNECTIONS



SCHEMATIC  
FUSE RECOMMENDED BUT NOT SUPPLIED

⌘ IF GANGED UNITS ARE USED IN A SYSTEM THAT ORDINARILY HAS A COMMON NEUTRAL OR GROUND BETWEEN SOURCE AND LOAD, THE NEUTRAL OR GROUND MUST BE CONNECTED TO THE COMMON TERMINALS OF THE VARIABLE TRANSFORMER ASSEMBLY. IF THE SYSTEM HAS NO NEUTRAL, THE LOAD MUST BE BALANCED OR THE TRANSFORMER WILL BE DAMAGED.

■ JUMPER PROVIDED IN STANDARD COMMON POSITION AND SHOULD BE MOVED OR REMOVED AS REQUIRED.

++ LINE TO LINE VOLTAGE.

SPECIFICATIONS											
WIRING	INPUT		OUTPUT				SHAFT ROTATION TO INCREASE VOLTAGE	TERMINAL CONNECTIONS			
	VOLTS	HERTZ	VOLTS	CONSTANT CURRENT LOAD		CONSTANT IMPEDANCE LOAD		FOR INCREASING VOLTAGE AS VIEWED FROM BASE END ■			
				MAX. AMPS	MAX. KVA	MAX. AMPS	MAX. KVA		INPUT	JUMPER	OUTPUT
THREE PHASE WYE ⌘	240	60	0-240	12	4.96	15	6.24	CW	1-1-1	4-4-4	3-3-3
								CCW	4-4-4	1-1-1	3-3-3

UNLESS OTHERWISE SPECIFIED, TOLERANCE IS ±	DECIMALS	Holes	ANGLES	DRAFT	UNITS	TITLE:
.XX	.006	.002	1°	1-1/2°	IN [mm]	SPEC. CONTROL DRAWING
XXX	.005					VARIABLE TRANSFORMER
MATERIAL:						MODEL: 1210BCT-3
DRAWN BY		DATE	FIRST USED ON	DO NOT SCALE DWG.		
S.A. SMITH		9/25/97		CAGE CODE 83008		
CHECKER	DATE	WEIGHT APPROX.	DWG. NO.			
		34.5 LBS	D 031-3028			
ENGINEER	DATE	SCALE	SHEET 1 OF 1			
		1=1				



## Authorized Distribution Brand :



## Website :

Welcome to visit [www.ameya360.com](http://www.ameya360.com)

## Contact Us :

### ➤ Address :

401 Building No.5, JiuGe Business Center, Lane 2301, Yishan Rd  
Minhang District, Shanghai , China

### ➤ Sales :

Direct +86 (21) 6401-6692

Email [amall@ameya360.com](mailto:amall@ameya360.com)

QQ 800077892

Skype ameyasales1 ameyasales2

### ➤ Customer Service :

Email [service@ameya360.com](mailto:service@ameya360.com)

### ➤ Partnership :

Tel +86 (21) 64016692-8333

Email [mkt@ameya360.com](mailto:mkt@ameya360.com)