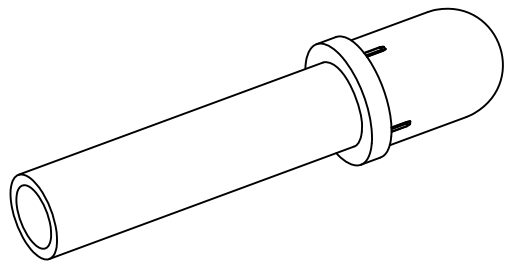
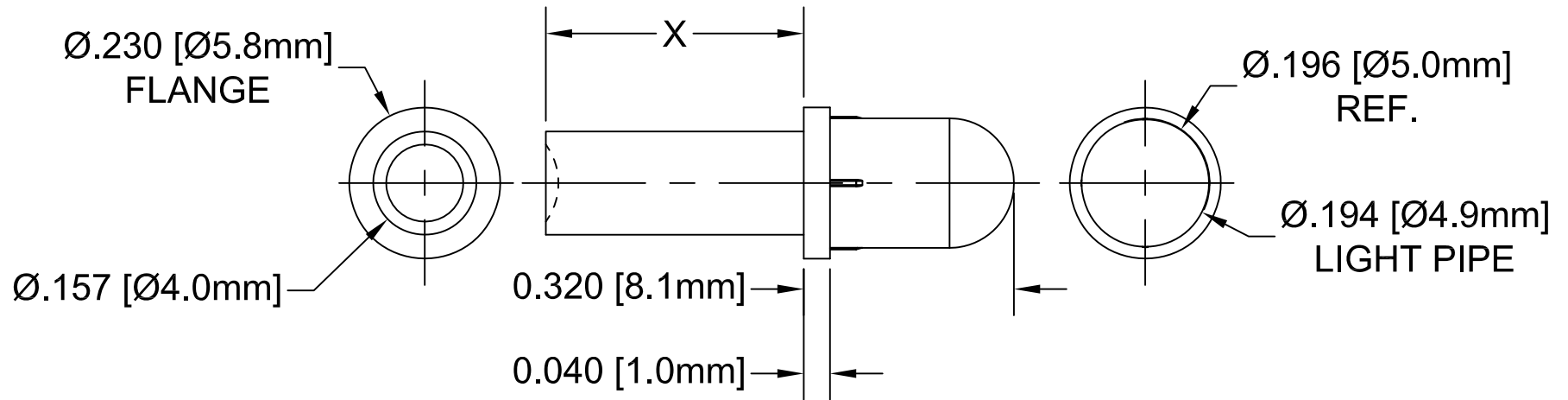
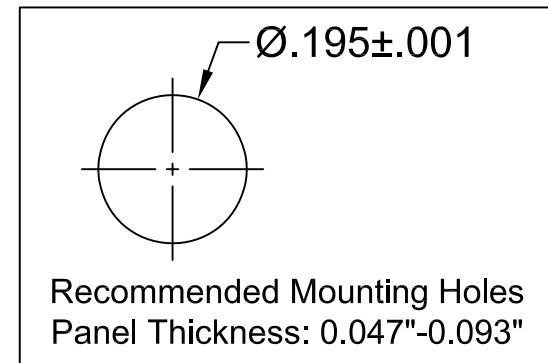



REV.	DESCRIPTION	DATE	APPROVED
E	Engineering Update w/o Changes	03/09/04	M. C.
F	Added Concave Entry Feature	08/26/09	T. Y.
G	Updated General Specifications Note 1.	10/01/12	T. Y.
H	Added Panel Thickness.	05/01/15	J. C.



Part No.	X = Body Length
PLP5-125	0.125 (3.2mm)
PLP5-250	0.250 (6.4mm)
PLP5-350	0.350 (8.9mm)
PLP5-375	0.375 (9.5mm)
PLP5-500	0.500 (12.7mm)
PLP5-625	0.625 (15.9mm)
PLP5-750	0.750 (19.0mm)
PLP5-1000	1.000 (25.4mm)
PLP5-1250	1.250 (31.8mm)
PLP5-1500	1.500 (38.1mm)



2. MATERIAL: POLYCARBONATE, 94V-0, CLEAR. BIVAR MATERIAL CODE 47-CR.
1. GENERAL SPECIFICATIONS: BIVAR MOLDED COMPONENT SPECIFICATION BV00-E101 and BSMC-1001.

STANDARD TOLERANCE (UNLESS OTHERWISE SPECIFIED)		 BIVAR [®] 4 THOMAS, IRVINE, CA. 92618 TEL: (949) 951-8808 FAX: (949) 951-3974	
DECIMALS	ANGULAR		
.X ±.1	X° ± 1°	TITLE: LIGHT PIPE, PRESS-FIT PANEL MOUNT, ROUND TOP, 5mm PART NO: PLP5-XXX REVISION: H	
.XX ±.02			
.XXX ±.010			
DESIGNED: Michael Chen	DATE: 01/14/03	CAGE CODE: 32559 SHEET # 1 OF 1 <small>CAD GENERATED DOCUMENT, DO NOT MEASURE DRAWING.</small>	
CHECKED: D. Green	DATE: 01/14/03		

AMEYA360

Components Supply Platform

Authorized Distribution Brand :



Website :

Welcome to visit www.ameya360.com

Contact Us :

➤ Address :

401 Building No.5, JiuGe Business Center, Lane 2301, Yishan Rd
Minhang District, Shanghai , China

➤ Sales :

Direct +86 (21) 6401-6692

Email amall@ameya360.com

QQ 800077892

Skype [ameyasales1](#) [ameyasales2](#)

➤ Customer Service :

Email service@ameya360.com

➤ Partnership :

Tel +86 (21) 64016692-8333

Email mkt@ameya360.com