



Chip Type, Higher Capacitance Range



For SMD



Long Life



Anti-Solvent
Feature
(Through
100V only)

- Chip Type, higher capacitance in larger case sizes ($\phi 12.5$, $\phi 16$, $\phi 18$)
- Designed for surface mounting on high density PC board.
- Applicable to automatic mounting machine fed with carrier tape and tray.
- Compliant to the RoHS directive (2011/65/EU).

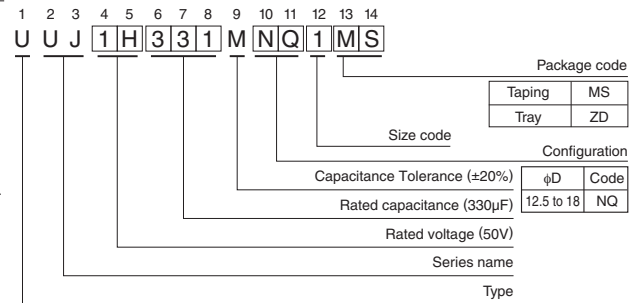
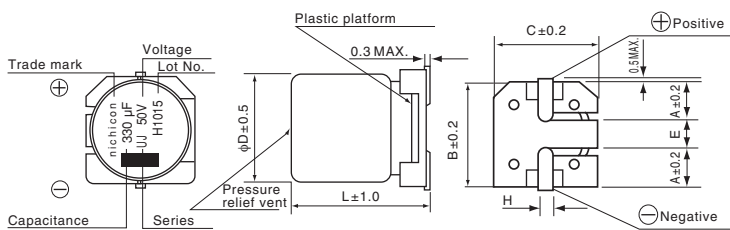


Specifications

| Item | Performance Characteristics | | | | | | | | | | | |
|---|---|---|------|------|------|------|------|------|---|------------|-----------|---|
| Category Temperature Range | -55 to +105°C (6.3 to 100V), -40 to +105°C (160 to 450V) | | | | | | | | | | | |
| Rated Voltage Range | 6.3 to 450V | | | | | | | | | | | |
| Rated Capacitance Range | 3.3 to 6800 μ F | | | | | | | | | | | |
| Capacitance Tolerance | $\pm 20\%$ at 120Hz, 20°C | | | | | | | | | | | |
| Leakage Current | Rated voltage (V) | 6.3 to 100 | | | | | | | 160 to 450 | | | |
| | — | After 1 minute's application of rated voltage, leakage current is not more than 0.03CV or 4 (μ A), whichever is greater. | | | | | | | I = 0.04CV+100 (μ A) max. (1 minute's) | | | |
| Tangent of loss angle (tan δ) | Measurement frequency : 120Hz at 20°C | | | | | | | | | | | |
| | Rated voltage (V) | 6.3 | 10 | 16 | 25 | 35 | 50 | 63 | 100 | 160 to 250 | 400 · 450 | |
| | tan δ (MAX.) | 0.26 | 0.22 | 0.18 | 0.16 | 0.14 | 0.12 | 0.10 | 0.08 | 0.15 | 0.20 | |
| For capacitance of more than 1000 μ F, add 0.02 for every increase of 1000 μ F. | | | | | | | | | | | | |
| Stability at Low Temperature | Measurement frequency: 120Hz | | | | | | | | | | | |
| | Rated voltage (V) | 6.3 | 10 | 16 | 25 | 35 | 50 | 63 | 100 | 160 to 250 | 400 · 450 | |
| | Impedance ratio Z-25°C / Z+20°C | 5 | 4 | 3 | 2 | 2 | 2 | 2 | 2 | 2 | 3 | 6 |
| ZT / Z20 (MAX.) | Z-40°C / Z+20°C | 10 | 8 | 6 | 4 | 3 | 3 | 3 | 3 | 6 | 10 | |
| Endurance | The specifications listed at right shall be met when the capacitors are restored to 20°C after the rated voltage is applied for 5000 hours at 105°C. | | | | | | | | | | | |
| | Capacitance change | Within $\pm 20\%$ of the initial capacitance value | | | | | | | | | | |
| | tan δ | 200% or less than the initial specified value | | | | | | | | | | |
| Leakage current | Less than or equal to the initial specified value | | | | | | | | | | | |
| Shelf Life | After storing the capacitors under no load at 105°C for 1000 hours and then performing voltage treatment based on JIS C 5101-4 clause 4.1 at 20°C, they shall meet the specified values for the endurance characteristics listed above. | | | | | | | | | | | |
| Marking | Black print on the case top. | | | | | | | | | | | |

Chip Type

Type numbering system (Example : 50V 330 μ F)



(mm)

| ϕ D | 12.5x13.5 | 12.5x16 | 12.5x21 | 16x16.5 | 16x21.5 | 18x16.5 | 18x21.5 |
|----------|------------|------------|------------|------------|------------|------------|------------|
| A | 4.8 | 4.8 | 4.8 | 5.4 | 5.4 | 6.4 | 6.4 |
| B | 13.6 | 13.6 | 13.6 | 17.1 | 17.1 | 19.1 | 19.1 |
| C | 13.6 | 13.6 | 13.6 | 17.1 | 17.1 | 19.1 | 19.1 |
| E | 4.0 | 4.0 | 4.0 | 6.3 | 6.3 | 6.3 | 6.3 |
| L | 13.5 | 16.0 | 21.0 | 16.5 | 21.5 | 16.5 | 21.5 |
| H | 1.0 to 1.4 | 1.0 to 1.4 | 1.0 to 1.4 | 1.0 to 1.4 | 1.0 to 1.4 | 1.0 to 1.4 | 1.0 to 1.4 |

※ The vibration structure-resistant product is also available upon request, please ask for details.

● Dimension table in next page.



■ Dimensions

| (μF) Cap. | Code | V 6.3 | | 10 | | 16 | | 25 | | 35 | | 50 | |
|--------------|------|-------------|------|-------------|------|-------------|------|-------------|------|-------------|------|-------------|-----|
| | | 0J | | 1A | | 1C | | 1E | | 1V | | 1H | |
| 220 | 221 | | | | | | | | | 12.5 × 13.5 | 280 | 12.5 × 16 | 320 |
| 330 | 331 | | | | | | | 12.5 × 13.5 | 320 | 12.5 × 16 | 360 | ● 16 × 16.5 | 440 |
| 470 | 471 | | | | | 12.5 × 13.5 | 360 | 12.5 × 16 | 400 | ● 16 × 16.5 | 490 | △ 18 × 16.5 | 550 |
| 1000 | 102 | 12.5 × 13.5 | 440 | 12.5 × 16 | 500 | ● 16 × 16.5 | 630 | △ 18 × 16.5 | 700 | △ 18 × 16.5 | 750 | 18 × 21.5 | 820 |
| 2200 | 222 | ● 16 × 16.5 | 750 | ● 16 × 16.5 | 810 | △ 18 × 16.5 | 930 | 18 × 21.5 | 1050 | □ 18 × 21.5 | 1150 | | |
| 3300 | 332 | △ 18 × 16.5 | 930 | △ 18 × 16.5 | 1000 | 18 × 21.5 | 1150 | | | | | | |
| 4700 | 472 | 18 × 21.5 | 1100 | 18 × 21.5 | 1200 | | | | | | | | |
| 6800 | 682 | □ 18 × 21.5 | 1350 | □ 18 × 21.5 | 1450 | | | | | | | | |

| (μF) Cap. | Code | V 63 | | 100 | | 160 | | 200 | | 250 | | 400 | | 450 | |
|--------------|------|-------------|-----|-------------|-----|-------------|-----|-------------|-----|-------------|-----|-------------|-----|--------------------------|-----------------|
| | | 1J | | 2A | | 2C | | 2D | | 2E | | 2G | | 2W | |
| 3.3 | 3R3 | | | | | | | | | | | | | 12.5 × 13.5 | 40 |
| 4.7 | 4R7 | | | | | | | | | 12.5 × 13.5 | 65 | 12.5 × 16 | 50 | 12.5 × 16 | 50 |
| 10 | 100 | | | | | | | 12.5 × 13.5 | 80 | 12.5 × 16 | 105 | 16 × 16.5 | 85 | 16 × 16.5 | 85 |
| 22 | 220 | | | | | | | 12.5 × 16 | 105 | ● 16 × 16.5 | 180 | 18 × 21.5 | 130 | 18 × 21.5 | 130 |
| 33 | 330 | | | | | 12.5 × 13.5 | 95 | ● 16 × 16.5 | 220 | △ 18 × 16.5 | 230 | □ 18 × 21.5 | 160 | □ 18 × 21.5 | 160 |
| 47 | 470 | | | 12.5 × 13.5 | 160 | ● 16 × 16.5 | 260 | △ 18 × 16.5 | 270 | 18 × 21.5 | 280 | | | | |
| 68 | 680 | 12.5 × 13.5 | 175 | 12.5 × 16 | 205 | △ 18 × 16.5 | 320 | 18 × 21.5 | 330 | □ 18 × 21.5 | 340 | | | | |
| 100 | 101 | 12.5 × 16 | 225 | ● 16 × 16.5 | 285 | 16 × 21.5 | 380 | □ 18 × 21.5 | 410 | | | | | | |
| 220 | 221 | ● 16 × 16.5 | 385 | △ 18 × 16.5 | 440 | | | | | | | | | | |
| 330 | 331 | △ 18 × 16.5 | 490 | □ 18 × 21.5 | 500 | | | | | | | | | | |
| 470 | 471 | 18 × 21.5 | 590 | | | | | | | | | | | Case size φD × L (mm) | Rated ripple |

Size φ12.5 × 21 is available for capacitors marked, "●".

Size φ16 × 21.5L is available for capacitors marked, "△".

Size φ18 × 21.5L is available for capacitors marked, "□".

※ In this case, [6] will be put at 12th digit of type numbering system.

Rated ripple current (mArms) at 105°C 120Hz

● Frequency coefficient of rated ripple current

| V | Cap.(μF) | Frequency | | | | |
|------------|--------------|-----------|-------|-------|------|---------------|
| | | 50Hz | 120Hz | 300Hz | 1kHz | 10kHz or more |
| 6.3 to 100 | 47 to 68 | 0.75 | 1.00 | 1.35 | 1.57 | 2.00 |
| | 100 to 470 | 0.80 | 1.00 | 1.23 | 1.34 | 1.50 |
| | 1000 to 6800 | 0.85 | 1.00 | 1.10 | 1.13 | 1.15 |
| 160 to 450 | 3.3 to 100 | 0.80 | 1.00 | 1.25 | 1.40 | 1.60 |

- Taping specifications are given in page 23.
- Recommended land size, soldering by reflow are given in page 18, 19.
- Please refer to page 3 for the minimum order quantity.

AMEYA360

Components Supply Platform

Authorized Distribution Brand :



Website :

Welcome to visit www.ameya360.com

Contact Us :

➤ Address :

401 Building No.5, JiuGe Business Center, Lane 2301, Yishan Rd
Minhang District, Shanghai , China

➤ Sales :

Direct +86 (21) 6401-6692

Email amall@ameya360.com

QQ 800077892

Skype [ameyasales1](#) [ameyasales2](#)

➤ Customer Service :

Email service@ameya360.com

➤ Partnership :

Tel +86 (21) 64016692-8333

Email mkt@ameya360.com