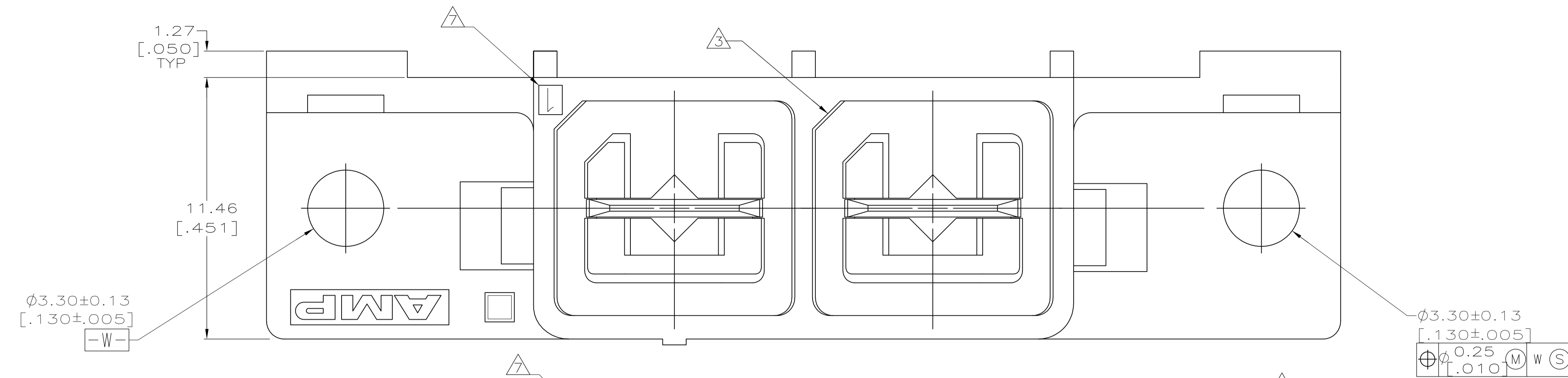
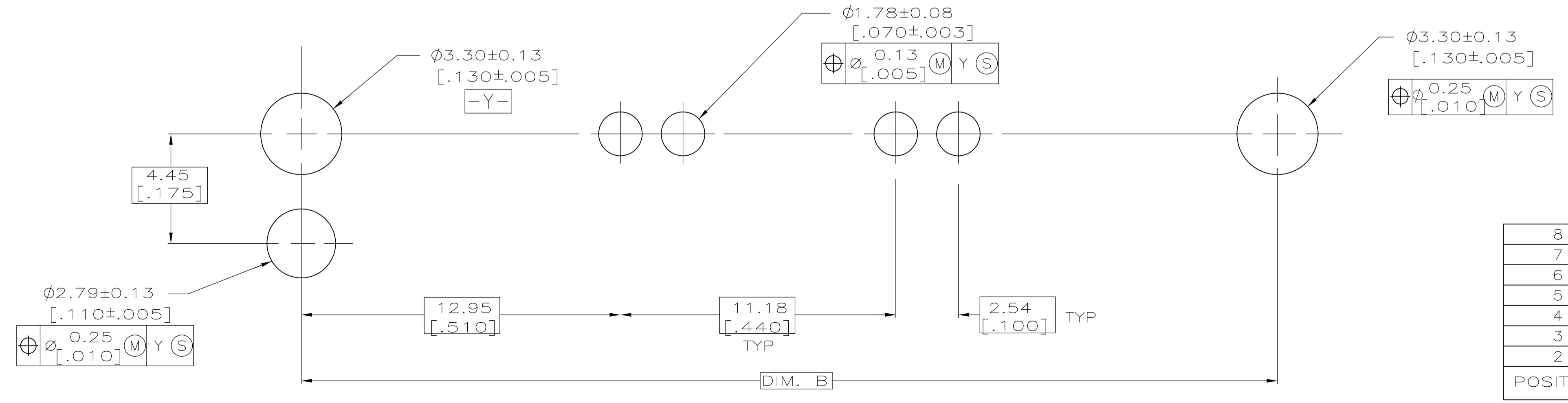
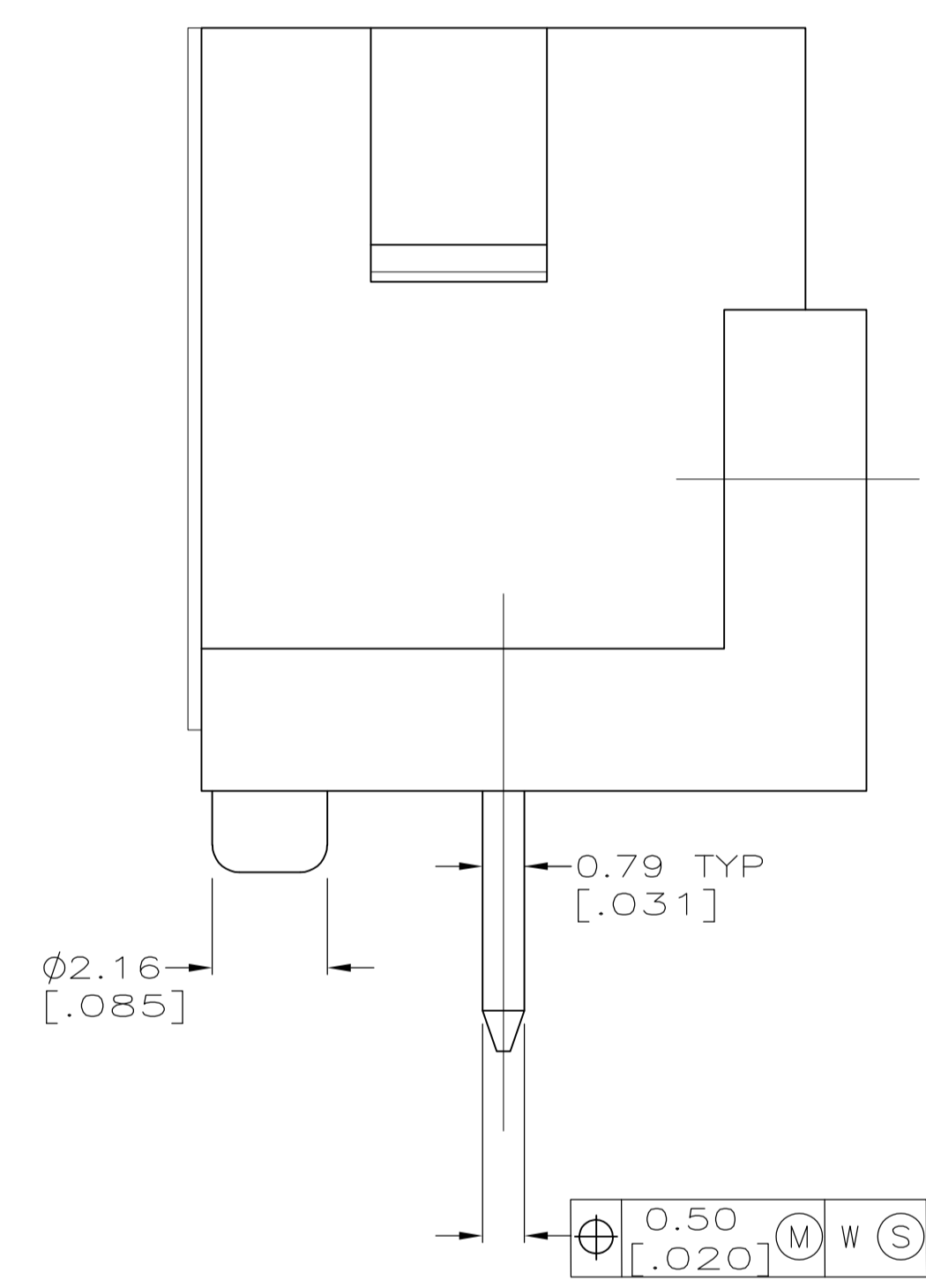
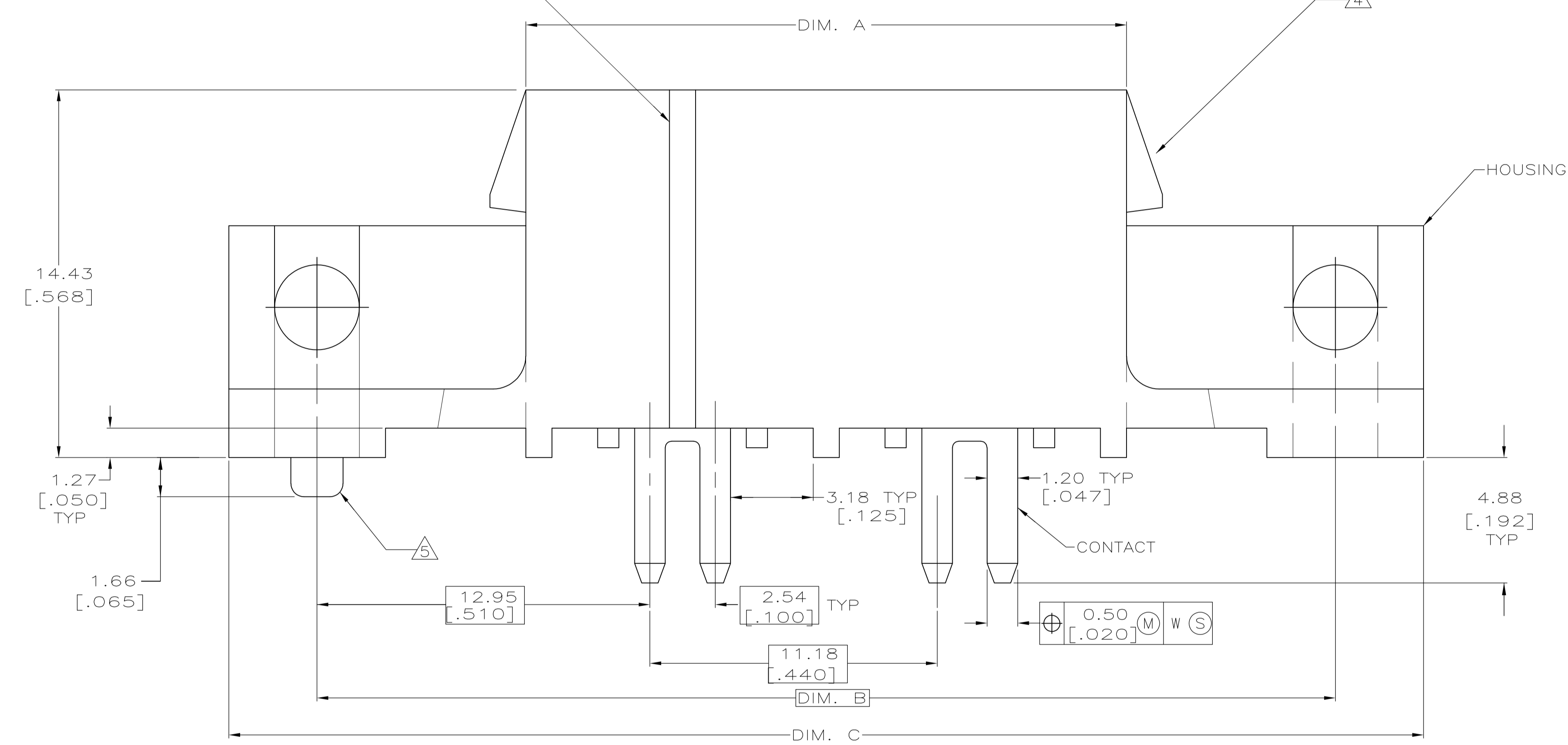


| LOC | | DIST | | REVISIONS | | | |
|-----|---------------------------|---------|------|-----------|-----|------|--|
| FT | 60 | REV | DATE | BY | CHK | APPV | |
| D1 | REVISED PER ECO-11-004820 | 11MAR11 | RK | HMR | | | |



- 1 MATERIAL: HOUSING—POLYPHTHALAMINE, BLACK, 94V-0.
CONTACT— 2.54μm [.000100] MINIMUM TIN PLATED COPPER.
- 2 ALL DIMENSIONS ARE MAXIMUM UNLESS OTHERWISE SPECIFIED.
- 3 POLARIZATION FEATURE TO MATING HOUSING.
- 4 POSITIVE LATCHING OF RECEPTACLE ASSEMBLY TO PLUG HOUSING.
- 5 POLARIZATION FEATURE TO PC BOARD.
- 6. THESE ASSEMBLIES ARE UL RECOGNIZED AND CSA CERTIFIED.
- △ INDICATES POSITION 1.



SUGGESTED PC BOARD HOLE LAYOUT

| POSITION | DIM. C | DIM. B | DIM. A | PART NO |
|----------|----------------|----------------|---------------|----------|
| 8 | 113.67 [4.475] | 106.68 [4.200] | 90.56 [3.565] | 556881-8 |
| 7 | 102.49 [4.035] | 95.50 [3.760] | 79.38 [3.125] | -7 |
| 6 | 91.32 [3.595] | 84.33 [3.320] | 68.20 [2.685] | -6 |
| 5 | 80.14 [3.155] | 73.15 [2.880] | 57.03 [2.245] | -5 |
| 4 | 68.97 [2.715] | 61.98 [2.440] | 45.85 [1.805] | -4 |
| 3 | 57.79 [2.275] | 50.80 [2.000] | 34.68 [1.365] | -3 |
| 2 | 46.61 [1.835] | 39.62 [1.560] | 23.50 [.925] | 556881-2 |

THIS DRAWING IS A CONTROLLED DOCUMENT.

| | | | |
|-------------------------|--|--------------------------|----------------------------|
| DIMENSIONS: mm [INCHES] | TOLERANCES UNLESS OTHERWISE SPECIFIED: | DIN D. STRAUSSER 5-30-91 | TE Connectivity |
| 0 PLC ± - | 1 PLC ± - | 8-23-91 | RECEPTACLE ASSEMBLY, TM |
| 2 PLC ± - | 3 PLC ± - | 8-26-91 | VERTICLE, WTB, AMPINNERGY |
| 4 PLC ± - | ANGLES ± - | | 108-1349 |
| MATERIAL | FINISH | APPROVED: M. MILLER | APPLICATION SPEC: 114-6044 |
| | | SIZE: A1 | SCALE: 8:1 |
| | | WEIGHT: - | SHEET: 1 OF 1 |
| | | CUSTOMER DRAWING | REV: D1 |

AMEYA360

Components Supply Platform

Authorized Distribution Brand :



Website :

Welcome to visit www.ameya360.com

Contact Us :

> Address :

401 Building No.5, JiuGe Business Center, Lane 2301, Yishan Rd
Minhang District, Shanghai , China

> Sales :

Direct +86 (21) 6401-6692

Email amall@ameya360.com

QQ 800077892

Skype ameyasales1 ameyasales2

> Customer Service :

Email service@ameya360.com

> Partnership :

Tel +86 (21) 64016692-8333

Email mkt@ameya360.com