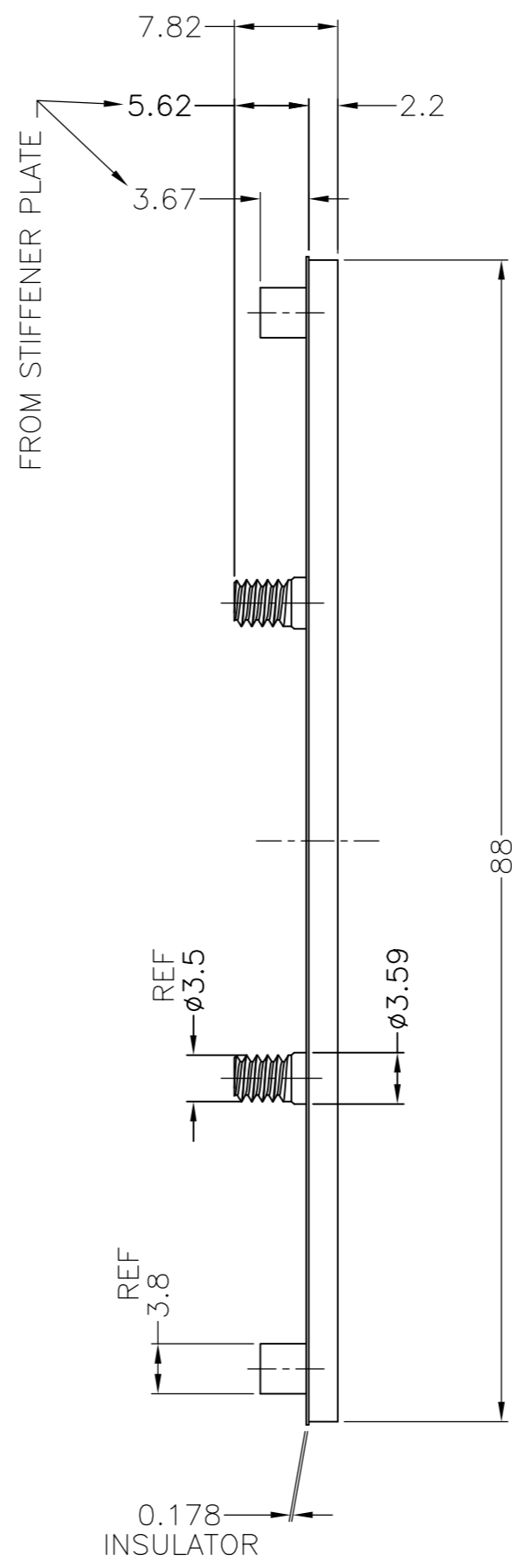
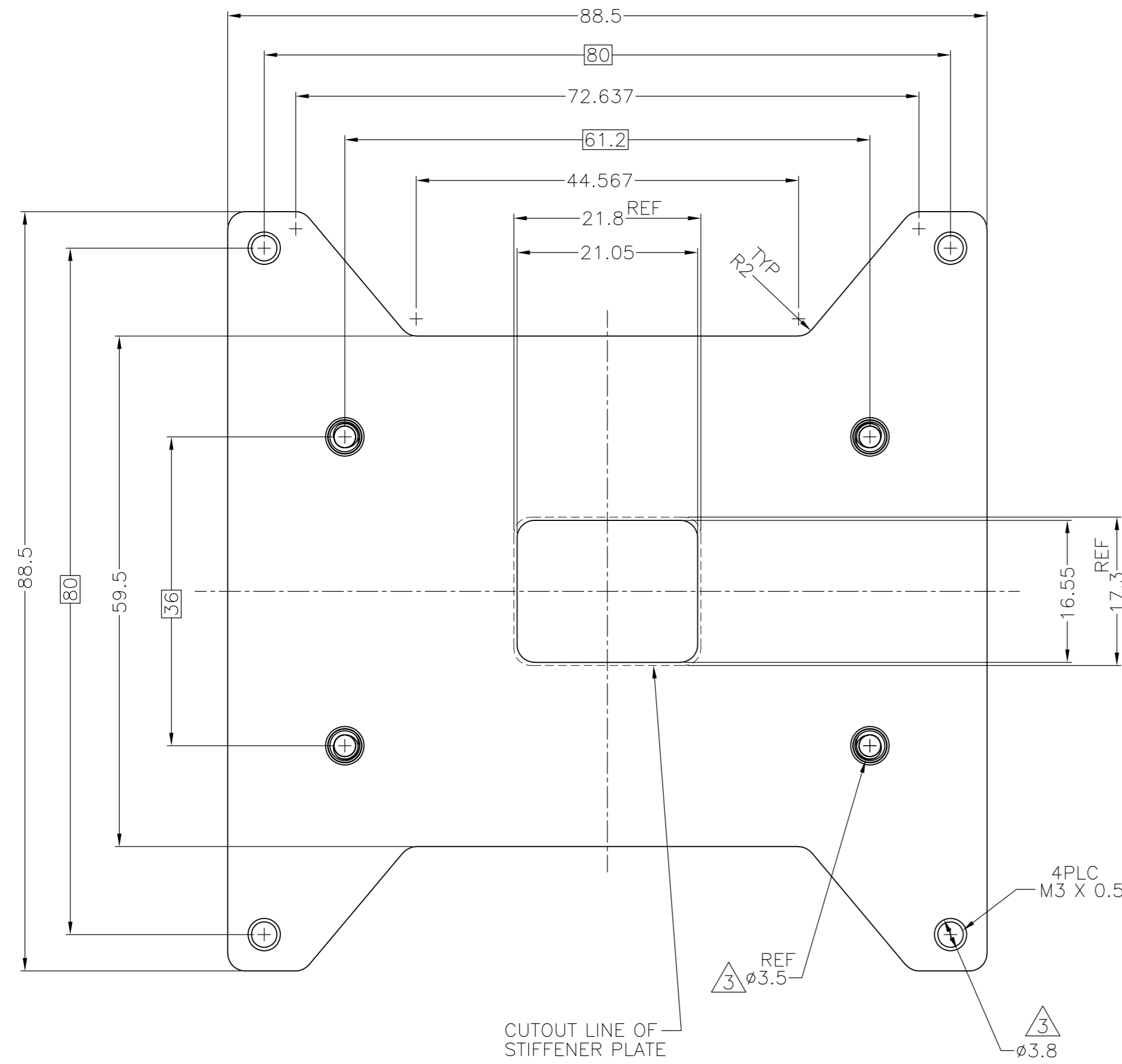
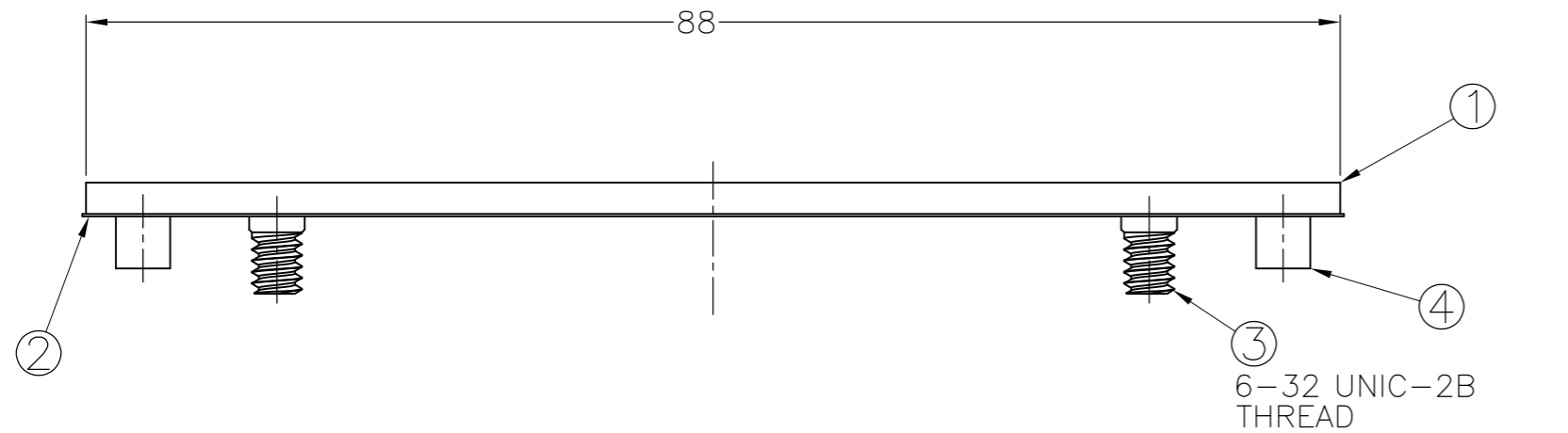
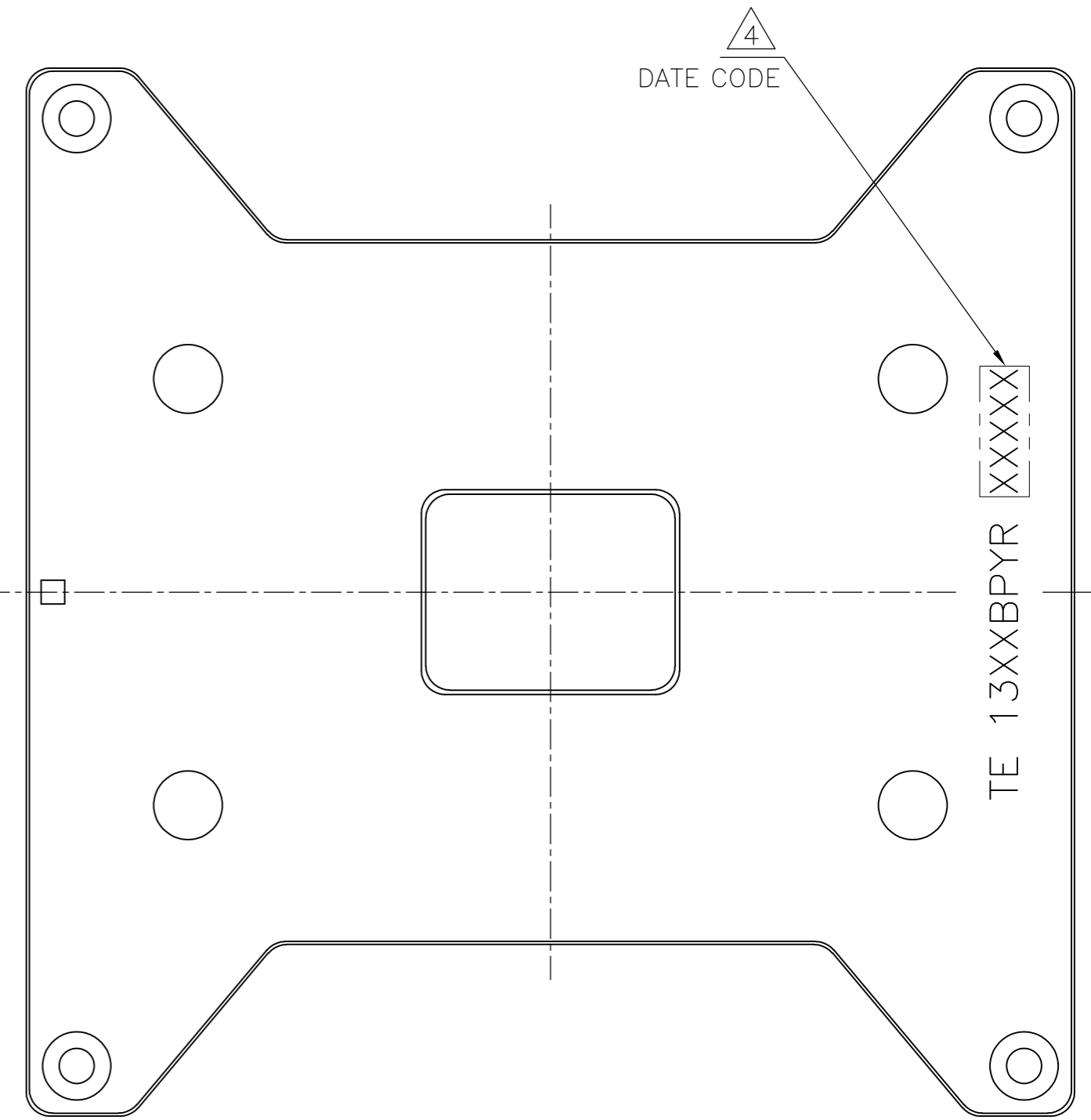


THIS DRAWING IS UNPUBLISHED. RELEASED FOR PUBLICATION  
 © COPYRIGHT BY TYCO ELECTRONICS CORPORATION. ALL INTERNATIONAL RIGHTS RESERVED.

LOC	DIST	REVISONS					
		P	LTR	DESCRIPTION	DATE	DWN	APVD
		H		REVISED	27SEP'10	S.A	S.H



- MATERIAL
  - ① STIFFENER PLATE: STEEL  
FINISH: NICKEL PLATING
  - ② INSULATOR: POLYCARBONATE FILM PLUS ACRYLIC ADHESIVE LAYER
  - ③ STUD BOLT: STEEL  
FINISH: NICKEL PLATING
  - ④ FEMALE NUT: SUS
- ASSEMBLED WITH ILM ASSY (DRAWING NUMBER: 1939738)
  - ③ THE STUD BOLTS AND FEMALE NUTS SHALL BE ADAPTED TO PCB LAYOUT FOR SOCKET ASSY LGA1366 OR SOCKET ASSY LGA1356 (DRAWING NUMBER: 1981837 OR 1554116)
  - ④ INDICATED DATE CODE ON THE STIFFENER PLATE



CUTOUT LINE OF STIFFENER PLATE

1981467-1 : AS SHOWN

1981467-1  
PART NUMBER

THIS DRAWING IS A CONTROLLED DOCUMENT.		DWN H.TAGUCHI 22SEP2008	Tyco Electronics Corporation Kawasaki, Japan	
DIMENSIONS: 単位: 種 mm		CHK S.HASHIMOTO 17DEC2007	NAME S.HASHIMOTO	
TOLERANCES UNLESS OTHERWISE SPECIFIED: 一般公差		APVD S.HASHIMOTO 17DEC2007	PRODUCT SPEC 製品規格	
0 PLC ±		APPLICATION SPEC 取付適用規格		
1 PLC ± ±0.3		SIZE A2	CAGE CODE 00779	DRAWING NO 番号 C=1981467
2 PLC ± ±3		WEIGHT 104g		
3 PLC ±		CUSTOMER DRAWING		
4 PLC ±		SCALE 尺度 2:1	SHEET 1 of 1	REV H
ANGLES ±		RESTRICTED TO		
FINISH 仕上				

Authorized Distribution Brand :



Website :

Welcome to visit [www.ameya360.com](http://www.ameya360.com)

Contact Us :

➤ Address :

401 Building No.5, JiuGe Business Center, Lane 2301, Yishan Rd  
Minhang District, Shanghai , China

➤ Sales :

Direct +86 (21) 6401-6692

Email [amall@ameya360.com](mailto:amall@ameya360.com)

QQ 800077892

Skype ameyasales1 ameyasales2

➤ Customer Service :

Email [service@ameya360.com](mailto:service@ameya360.com)

➤ Partnership :

Tel +86 (21) 64016692-8333

Email [mkt@ameya360.com](mailto:mkt@ameya360.com)