

PART NAME

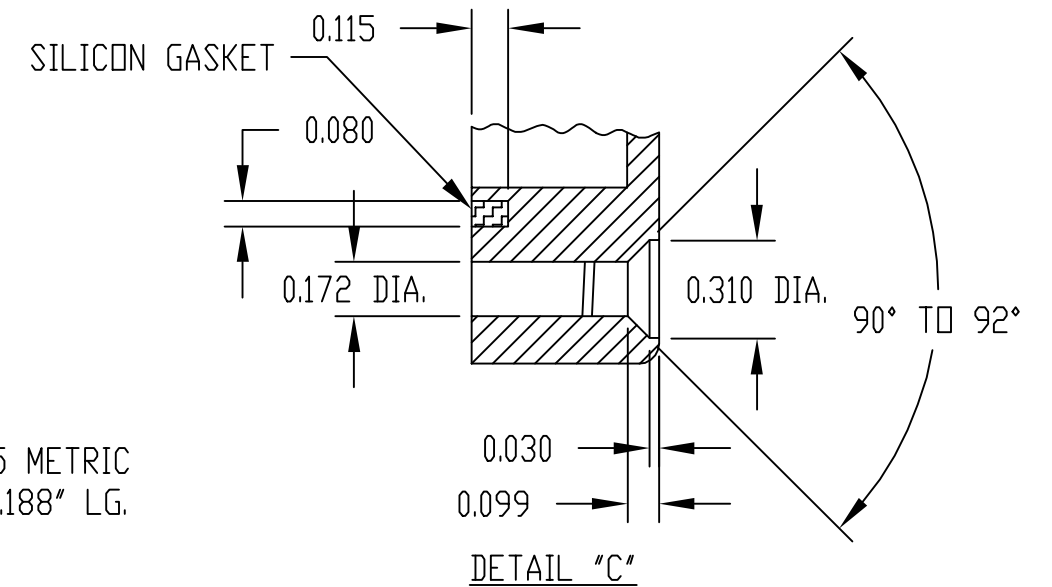
TRANSPARENT BLUE NEMA ENCLOSURE

PART No.

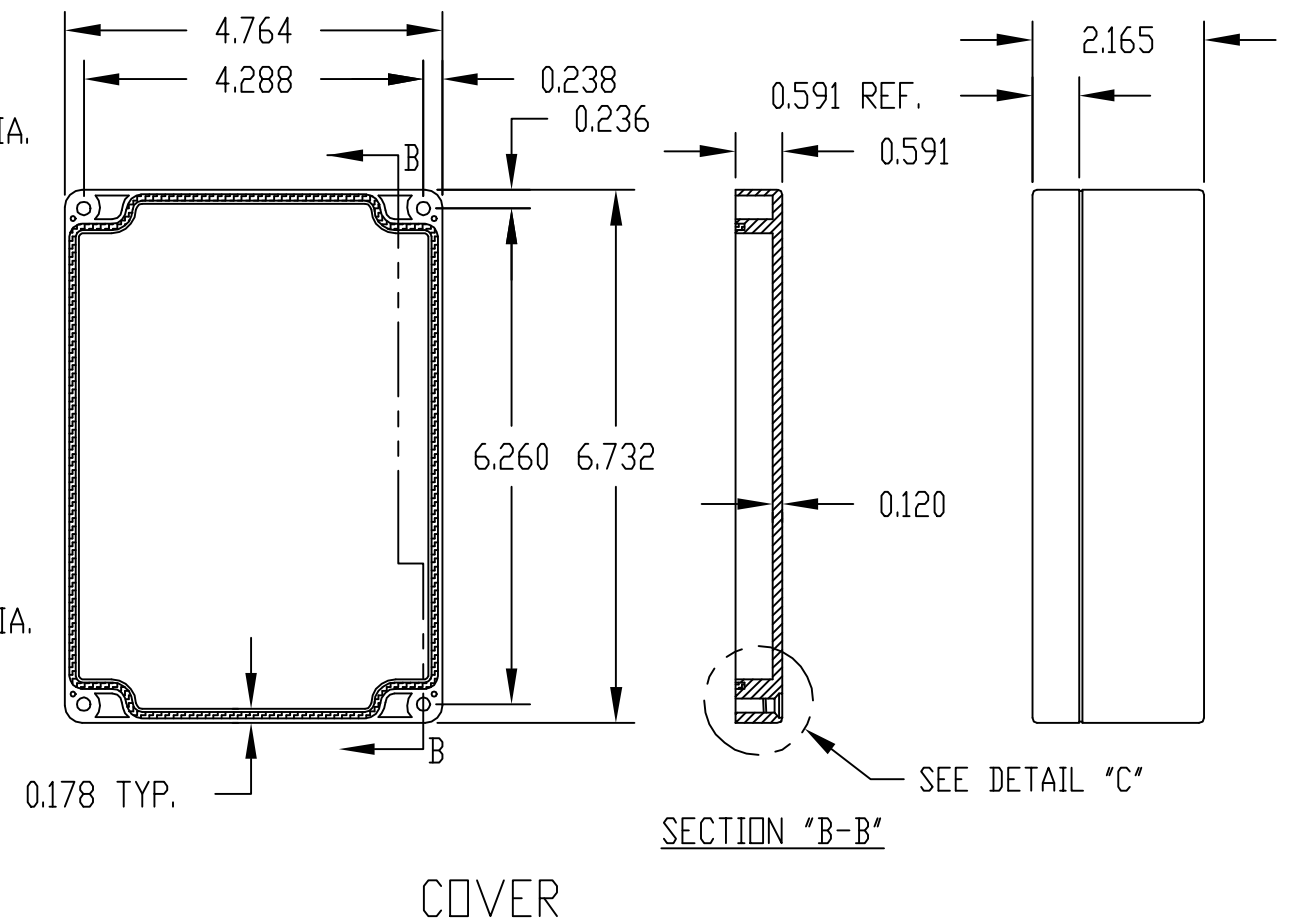
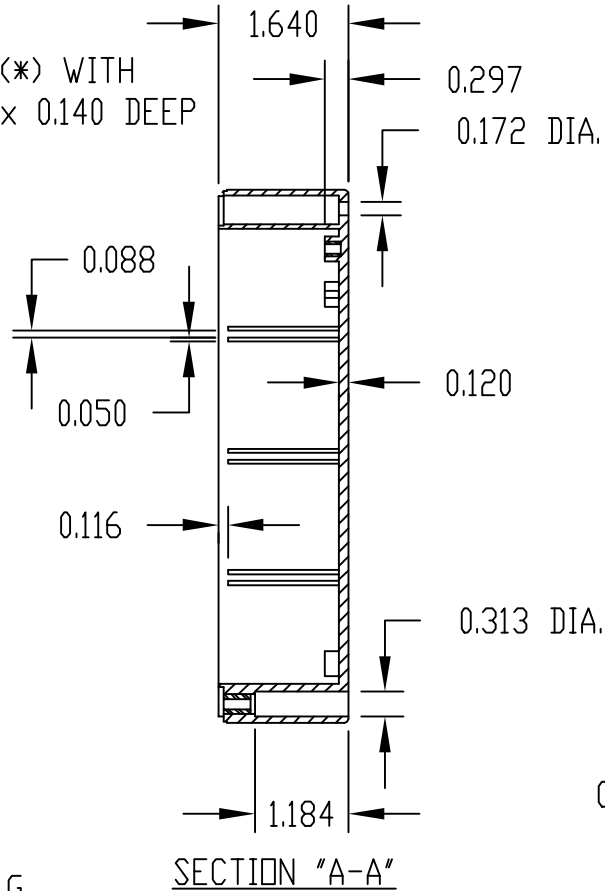
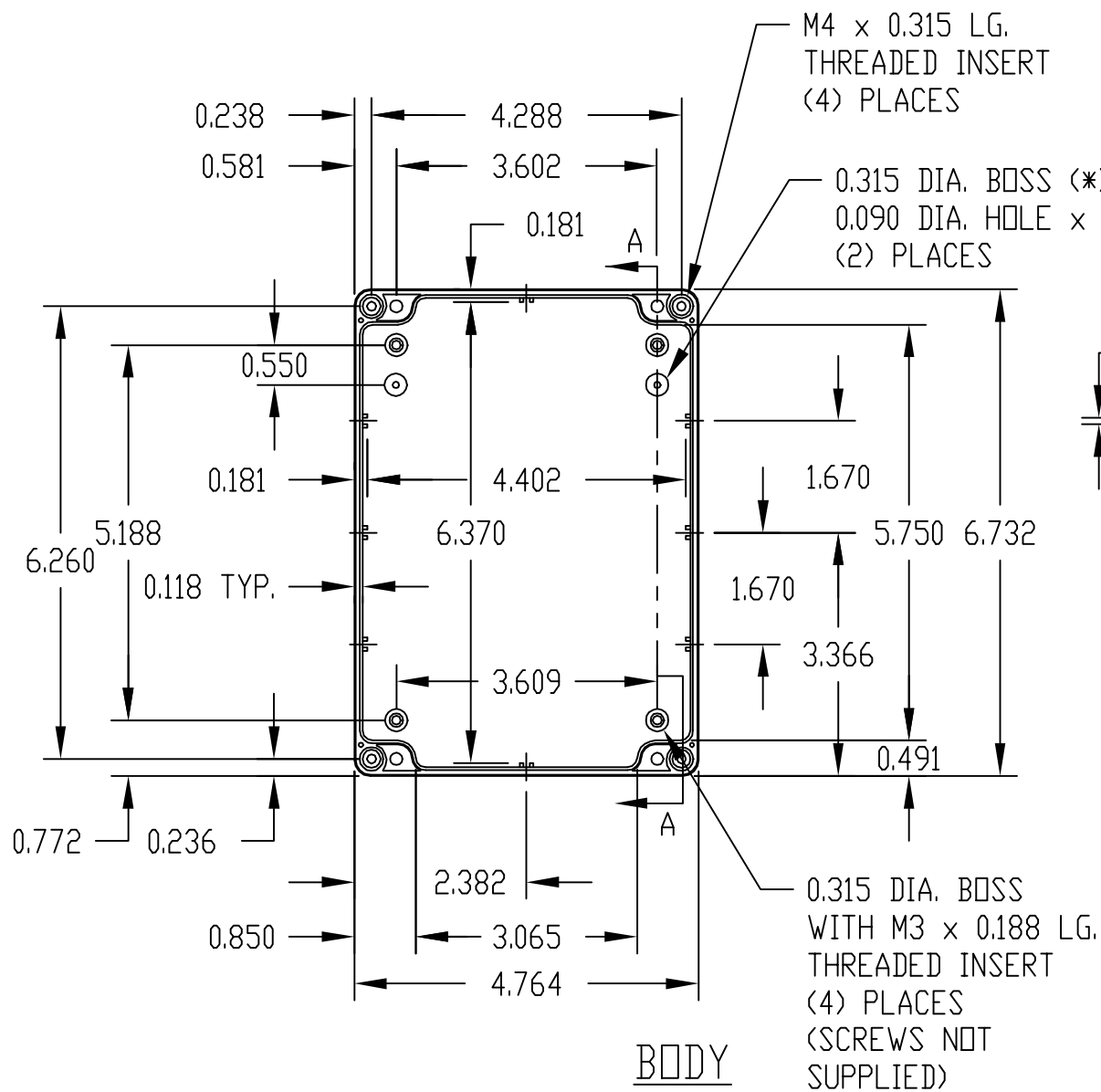
BT-2724

UL FILE #194432

MATERIAL:
POLYCARBONATE, TRANSPARENT BLUE
UL94V-2 FLAMMABILITY RATING
UV STABILIZED
SERVICE TEMPERATURE RANGE:
-40°C TO +120°C



(* MOUNTING BOSSES USE EITHER M2.5 METRIC OR #4 STD. SHEET METAL SCREWS x 0.188" LG. (NOT SUPPLIED))



NOTE: ALL DIMENSIONS HAVE ±0.015 TOLERANCE UNLESS OTHERWISE SPECIFIED.

| |
|-------------------------------------------------------------|
| HARDWARE KIT |
| KIT CONTAINS (4) M4 x 20mm (0.787") LG. SCREWS FOR ASSEMBLY |

Authorized Distribution Brand :



Website :

Welcome to visit www.ameya360.com

Contact Us :

➤ Address :

401 Building No.5, JiuGe Business Center, Lane 2301, Yishan Rd
Minhang District, Shanghai , China

➤ Sales :

Direct +86 (21) 6401-6692

Email amall@ameya360.com

QQ 800077892

Skype ameyasales1 ameyasales2

➤ Customer Service :

Email service@ameya360.com

➤ Partnership :

Tel +86 (21) 64016692-8333

Email mkt@ameya360.com