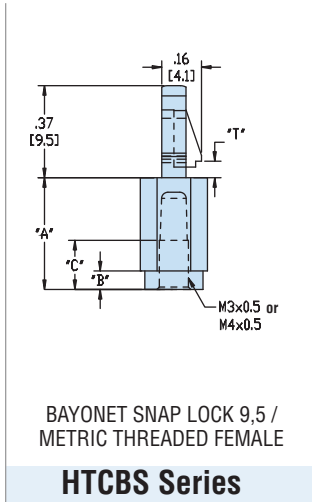
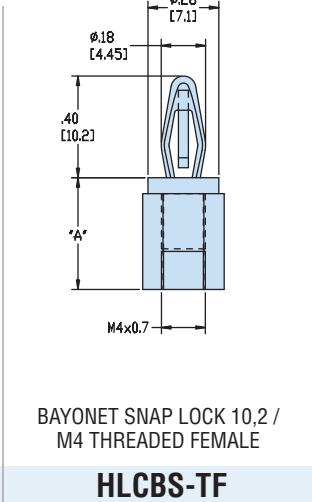
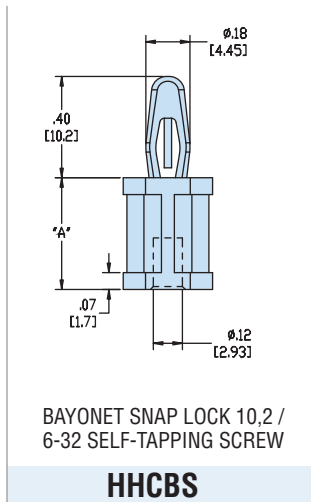




Heyco® Nylon PCB Supports - Screw and Lock



	Maximum Thickness*		Mounting Hole Diameter		Maximum Thickness		Mounting Hole Diameter	
	in.	mm.	in.	mm.	in.	mm.	in.	mm.
PCB	.062	1,6	.157	4,0	.062	1,6	.157	4,0
Chassis	.312	7,9	6-32		threaded		M4	

	Maximum Thickness		Mounting Hole Diameter	
	in.	mm.	in.	mm.
PCB	varies		.157	4,0
Chassis	screw*		M3, M4	

A		PART NO. Natural	DESCRIPTION	PART NO. Natural**	DESCRIPTION
in.	mm.				
.250	6,4	10616	HHCBS-04 †		
.375	9,5	10617	HHCBS-06	10829	HLCBS-TF-M4-06
.500	12,7	10618	HHCBS-08	10830	HLCBS-TF-M4-08
.625	15,9	10619	HHCBS-10	10831	HLCBS-TF-M4-10
.750	19,1	10620	HHCBS-12	10832	HLCBS-TF-M4-12
.875	22,2	10621	HHCBS-14	10833	HLCBS-TF-M4-14
1.000	25,4	10622	HHCBS-16	10834	HLCBS-TF-M4-16
1.125	28,6	10623	HHCBS-18		
1.250	31,8	10624	HHCBS-20		
1.406	35,7	10625	HHCBS-22.5		

A	T	PART NO. Black	DESCRIPTION
mm.	mm.		
HTCBS-M3-6 mm Hex			
8,0	1,6	10659	HTCBS-M3-6-8
10,0	1,6	10660	HTCBS-M3-6-10
15,0	1,6	10661	HTCBS-M3-6-15
20,0	1,7	10662	HTCBS-M3-6-20
HTCBS-M3-8 mm Hex			
8,0	1,6	10664	HTCBS-M3-8-8
23,0	1,6	10665	HTCBS-M3-8-23
HTCBS-M4-8 mm Hex			
10,0	1,6	10667	HTCBS-M4-8-10
12,0	1,7	10668	HTCBS-M4-8-12
15,0	1,6	10669	HTCBS-M4-8-15
30,0	1,6	10670	HTCBS-M4-8-30-16
	1,7	10671	HTCBS-M4-8-30-17
	2,1	10672	HTCBS-M4-8-30-21
35,0	2,1	10673	HTCBS-M4-8-35
70,0	1,6	10674	HTCBS-M4-8-70

Standard color natural. For special order parts in UL 94V-0 natural material, add the suffix “F” to Part No.

*Refers to thread depth at chassis which is .312” (7,9 mm)
 **Consult Heyco for HLCBS-TF in V-0 material
 †Thread depth is .20” (5,2 mm)

Standard color black.
 *Shoulder and thread depths vary, consult Heyco.

Quick Specs

Material	Nylon 6/6
Flammability Rating	94V-2
Temperature Range	.4°F (-18°C) to 185°F (85°C)

AMEYA360

Components Supply Platform

Authorized Distribution Brand :



Website :

Welcome to visit www.ameya360.com

Contact Us :

➤ Address :

401 Building No.5, JiuGe Business Center, Lane 2301, Yishan Rd
Minhang District, Shanghai , China

➤ Sales :

Direct +86 (21) 6401-6692

Email amall@ameya360.com

QQ 800077892

Skype [ameyasales1](#) [ameyasales2](#)

➤ Customer Service :

Email service@ameya360.com

➤ Partnership :

Tel +86 (21) 64016692-8333

Email mkt@ameya360.com