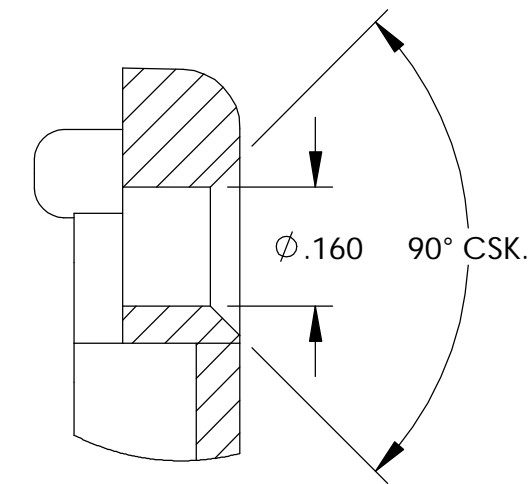


THE INFORMATION CONTAINED IN THIS DRAWING IS THE SOLE PROPERTY OF BUD INDUSTRIES INC. ANY REPRODUCTION IN PART OR WHOLE WITHOUT THE WRITTEN PERMISSION OF BUD INDUSTRIES INC. IS PROHIBITED.

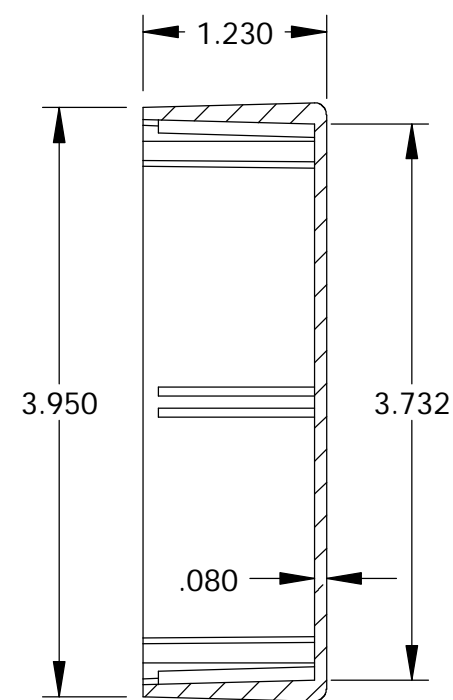
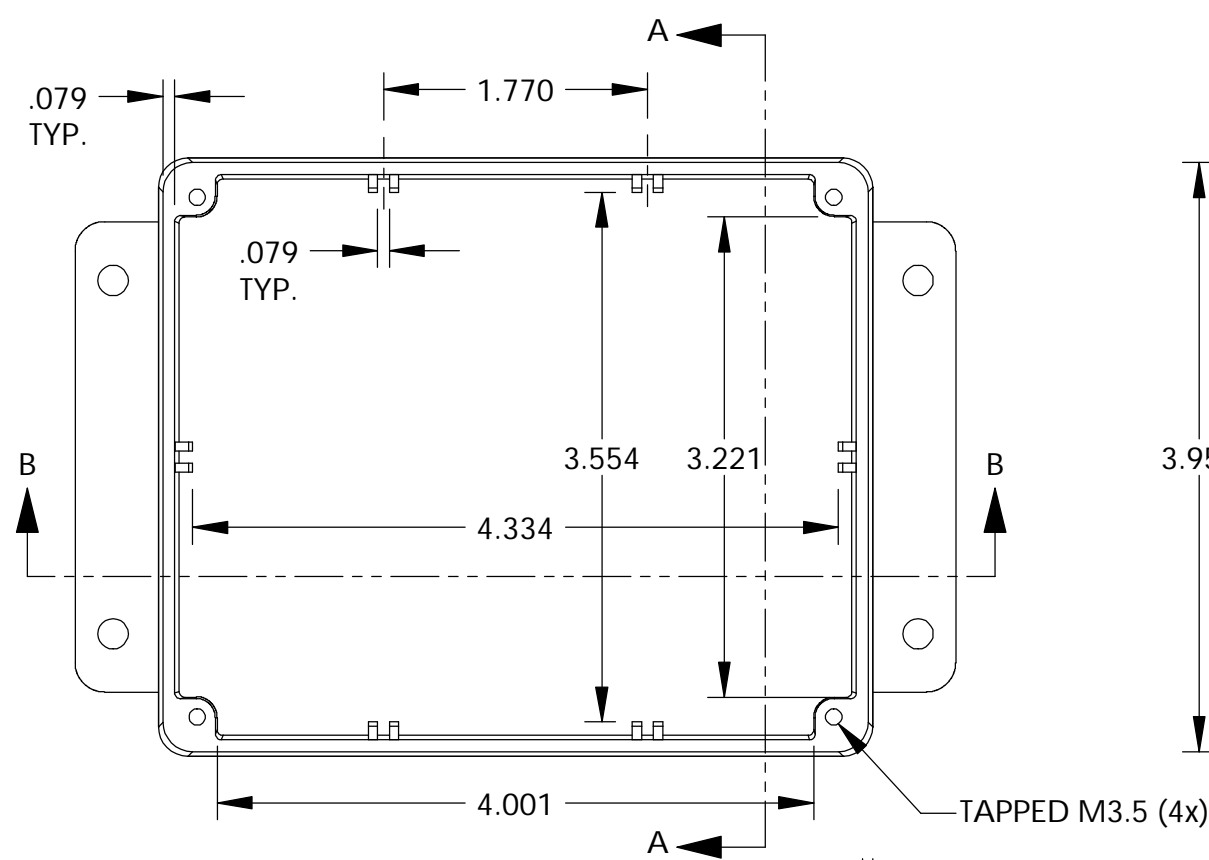
MATERIAL - ALUMINUM ALLOY #ADC-12
 FINISH - NATURAL (CONTACT BUD FACTORY FOR ALTERNATE FINISHES)
 GASKET - RATED IP65 NEOPRENE, SELF-ADHESIVE, 3mm THICK, COLOR BLACK
 SCREWS - STAINLESS STEEL, M3.5 x 12mm LG., CSK. HEAD, SELF-THREADING

ALL HOLE DIAMETERS HAVE $\pm .005$ TOLERANCE.
 ALL OTHER DIMENSIONS HAVE $\pm .015$ TOLERANCE.
 ENCLOSURES ARE SHIPPED UNASSEMBLED WITH ALL ITEMS SHOWN.

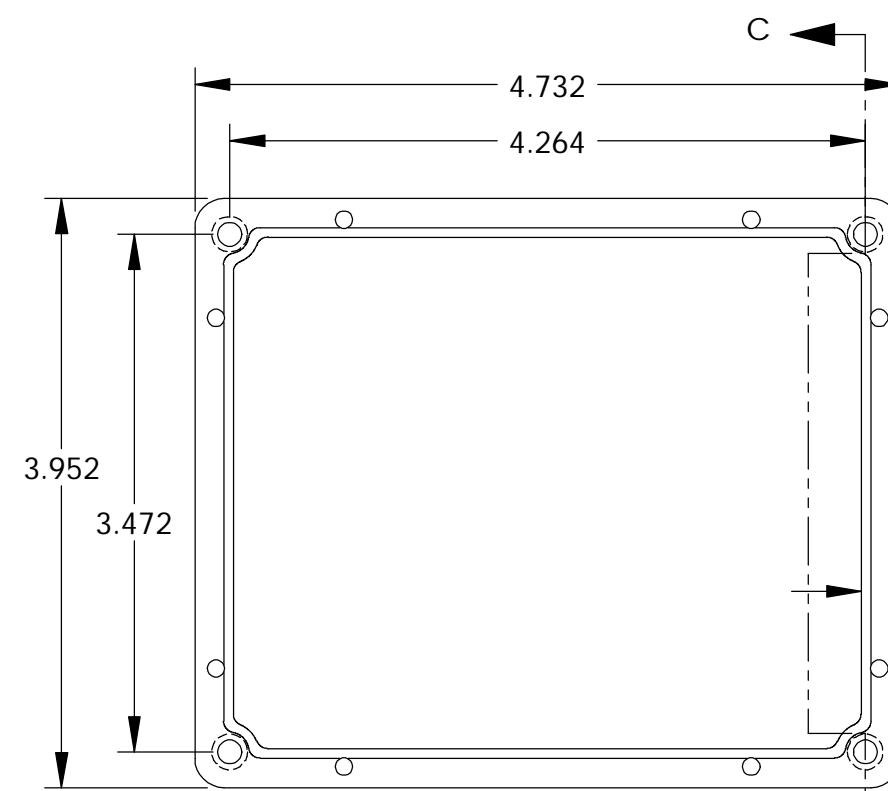
DWG. NO.	CN-6706
ISSUE	REVISIONS



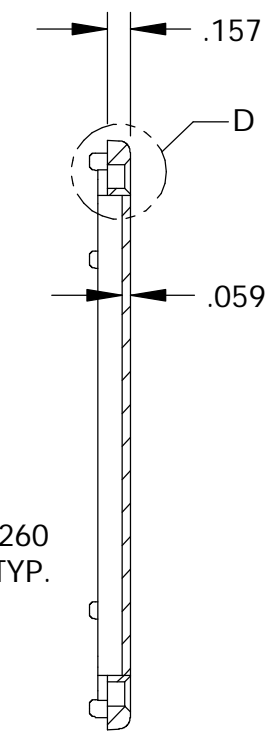
DETAIL D
SCALE 4 : 1



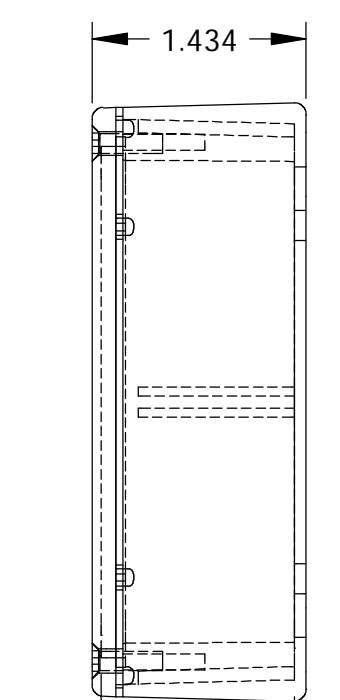
SECTION A-A



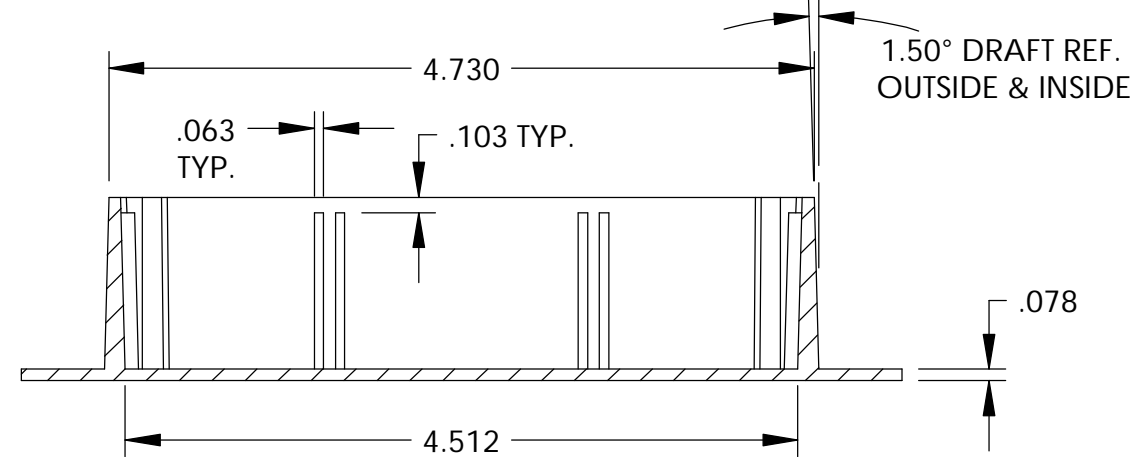
COVER



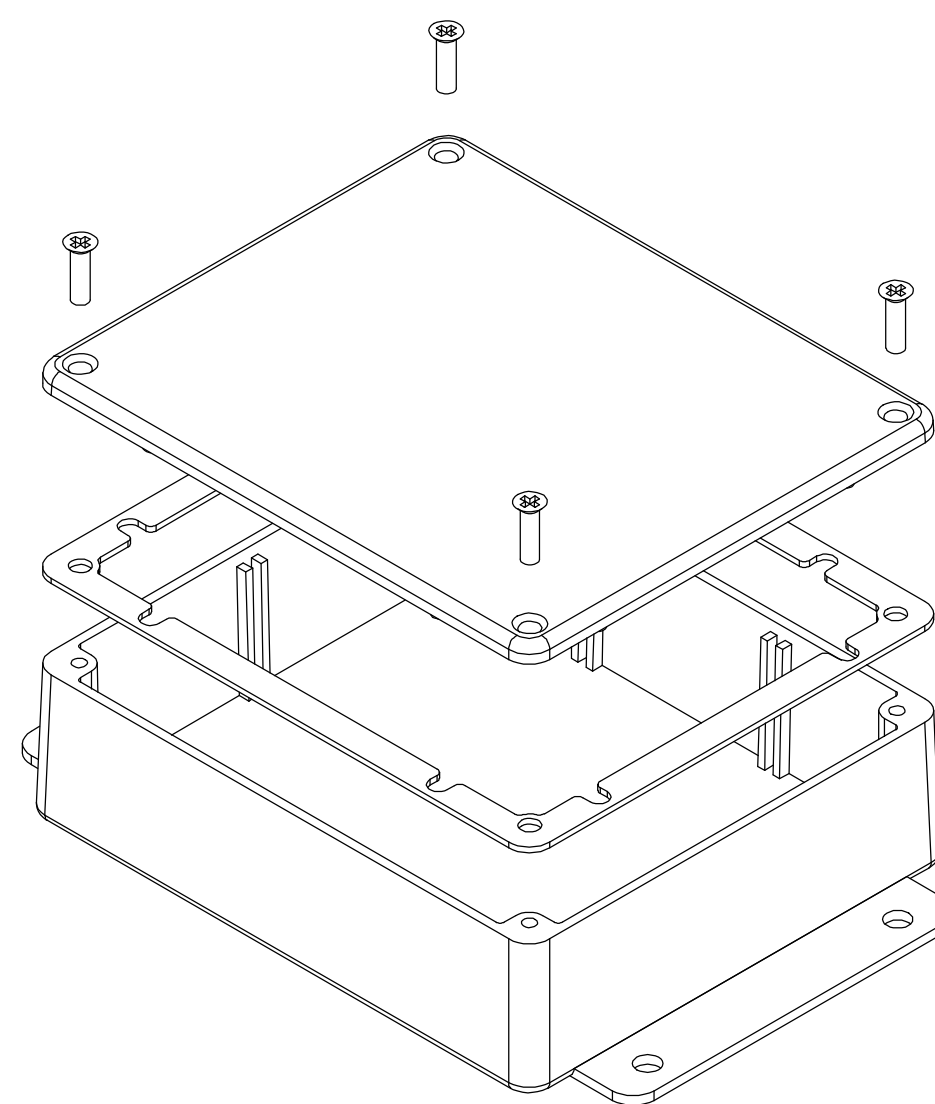
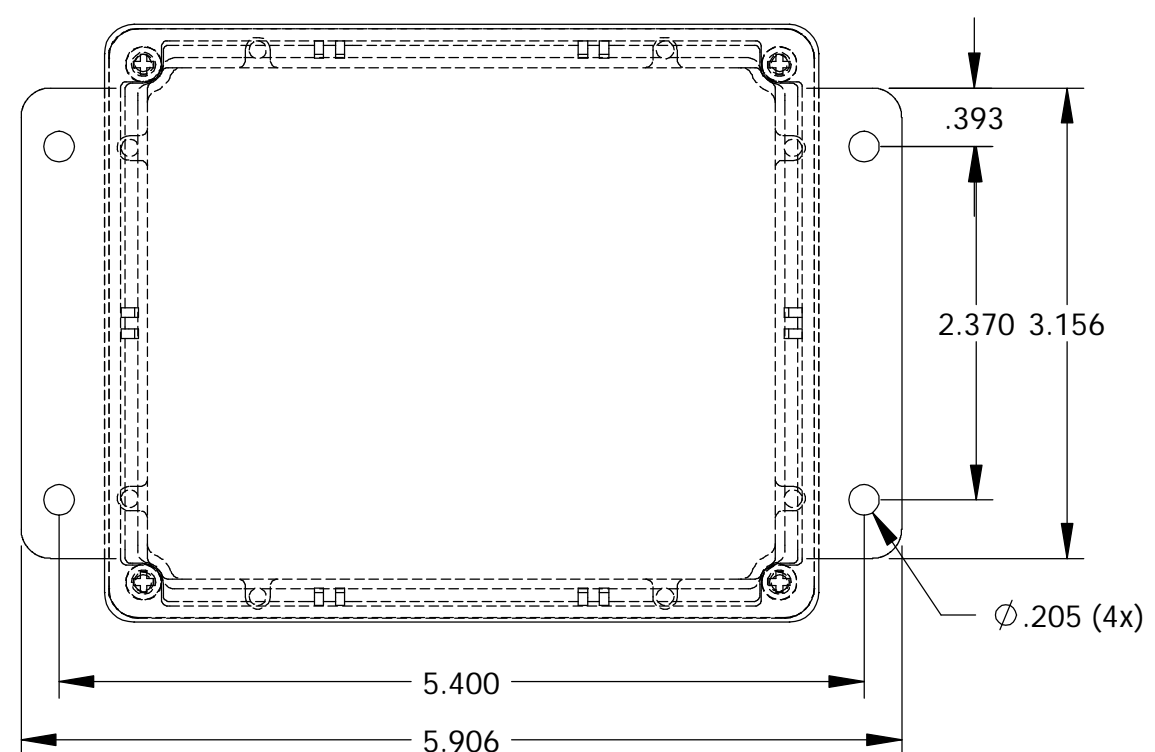
SECTION C-C



1.295 INSIDE CLEAR HT.



SECTION B-B



PARTS LIST		BUD INDUSTRIES INC.	
APPROVALS	DATE	DRAWN: DAB 4-3-06	
CHECKED		MATERIAL: AS NOTED	
APPROVED		FINISH: AS NOTED	
QTY.	USED ON	DO NOT SCALE DRAWING	SCALE
DWG. NO. CN-6706		REV.	
SHEET 1 OF 1		CAD FILE:	

Authorized Distribution Brand :



Website :

Welcome to visit www.ameya360.com

Contact Us :

➤ Address :

401 Building No.5, JiuGe Business Center, Lane 2301, Yishan Rd
Minhang District, Shanghai , China

➤ Sales :

Direct +86 (21) 6401-6692

Email amall@ameya360.com

QQ 800077892

Skype ameyasales1 ameyasales2

➤ Customer Service :

Email service@ameya360.com

➤ Partnership :

Tel +86 (21) 64016692-8333

Email mkt@ameya360.com