

BASIC PART NUMBER:

10017657-20XXX—X L F

RoHS COMPLIANT SPECIFICATION (SEE NOTE 4)

OPTION

(BLANK : NO CUSTOMIZATION)

(: CUSTOMIZED REQUEST)

CARDBUS: 0 — NO
1 — YES

INSULATOR: 0 — NO
1 — FCI LONG
2 — FCI SHORT
3 — CUSTOMIZED

LABEL RECESS: 0 — NO
1 — YES(LONG, 66x42mm)
2 — YES(SHORT, 63x42mm)

OPEN END

CARD TYPE: II

NOTES:

1. CARDSHIELD: STAINLESS STEEL, THICKNESS 0.2MM, SURFACE FINISH: MATTE.
2. FRAME BAR: PPO OR PA46, COLOR BLACK, UL94V-0.
3. INSULATOR: POLYESTER FILM WITH ADHESIVE, 3M 1350 OR EQUIVALENT.
4. 10017657-20XXX-XX IS SIMILAR TO 10017657-20XXX-XLF
 THE SUFFIX " LF " IS ADDED FOR LEAD FREE IDENTIFICATION,
 THIS PRODUCT MEETS EUROPEAN UNION DIRECTIVES AND OTHER
 COUNTRY REGULATIONS AS PER GS-22-008.
5. PACKING SPEC. PER GS-14-775.

mat'l code				tolerance unless otherwise specified				CUSTOMER COPY		FCI www.fciconnect.com	
rev.	ecn no.	dr	date	linear				projection	title		
C	T03-0111	WL	04/03/03						ROCARD SHIELD		
D	T03-0290	WL	07/15/03								
E	T03-0314	WL	08/05/03	angles							
F	T06-0056	WL	04/03/06	dr	WENDY CHEN	10/21/02	unit	product family		PCMCIA	code
G	T06-0093	WL	05/10/06	engr	DAVID TENG	10/21/02	mm/inch	size		dwg no.	sheet
H	T06-0134	WL	07/12/06	chr	TONY CHIEN	10/21/02	scale	A3		10017657	1 OF 10
				appd	JENN TSAO	10/21/02					
sheet	revision	H	F	F	F	F	F	F	H		
index	sheet	1	2	3	4	5	6	7	8	9	10

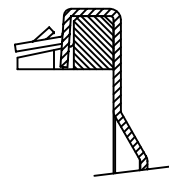
Tous droits strictement reserves. Reproduction ou communication a des tiers int sous quelque forme que ce soit sans autorisation écrite du propriétaire. Property of c BERG ELECTRONICS. Copyright BERG ELECTRONICS by
 All rights strictly reserved. Reproduction or issue to third parties in any for whatever is not permitted without written authority from the proprietor. Property of c BERG ELECTRONICS. Copyright BERG ELECTRONICS by



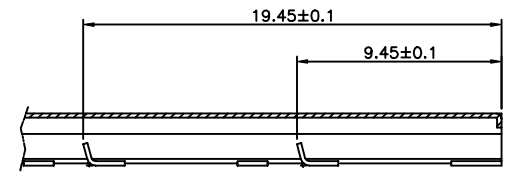
Tous droits strictement réservés. Reproduction ou communication a des tiers int sous quelque forme que ce soit sans autorisation écrite du propriétaire. Property of c BERG ELECTRONICS. Copyright BERG ELECTRONICS by

All rights strictly reserved. Reproduction or issue to third parties in any for whatever is not permitted without written authority from the proprietor. Property of c BERG ELECTRONICS. Copyright BERG ELECTRONICS by

PRODUCT NUMBER	DIM A	DIM B	DIM C	DIM D	DIM E
10017657-20110 OR 10017657-20110LF	1.4±1.0	75.6 REF	27.3 REF	4.0	66
10017657-20120 OR 10017657-20120LF	9.7±1.0	67.3 REF	19.0 REF	4.0	66
10017657-20210 OR 10017657-20210LF	1.4±1.0	75.6 REF	27.3 REF	7.0	63
10017657-20220 OR 10017657-20220LF	9.7±1.0	67.3 REF	19.0 REF	7.0	63

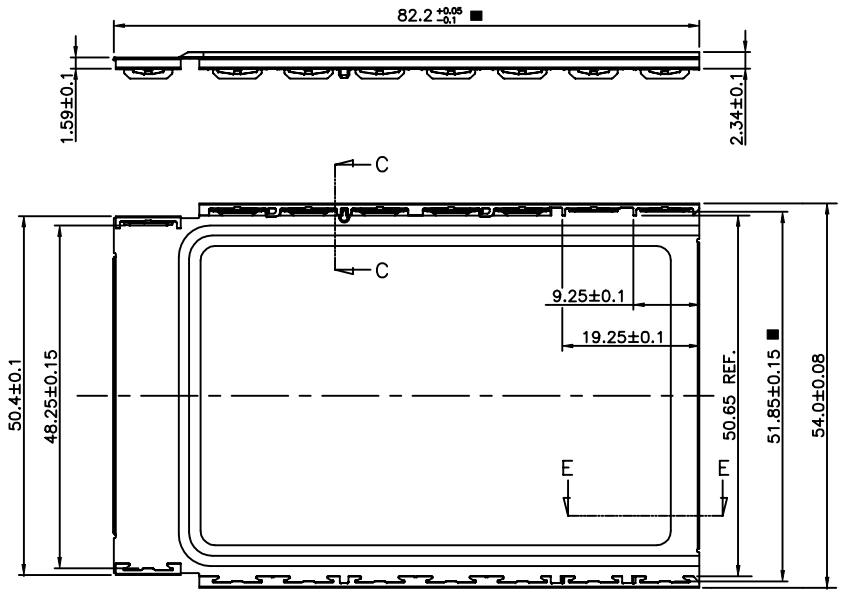
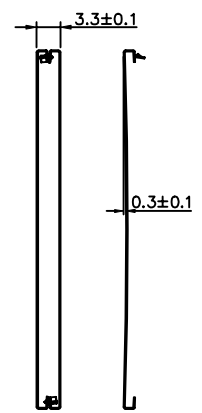


SEC. C-C
(SCALE 5:1)

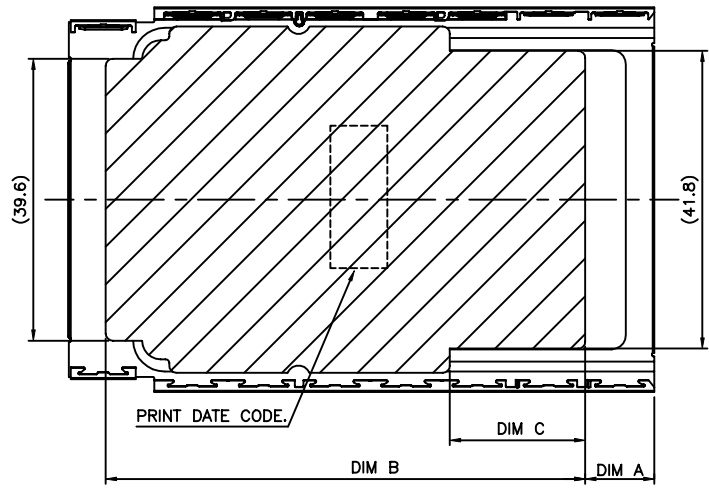
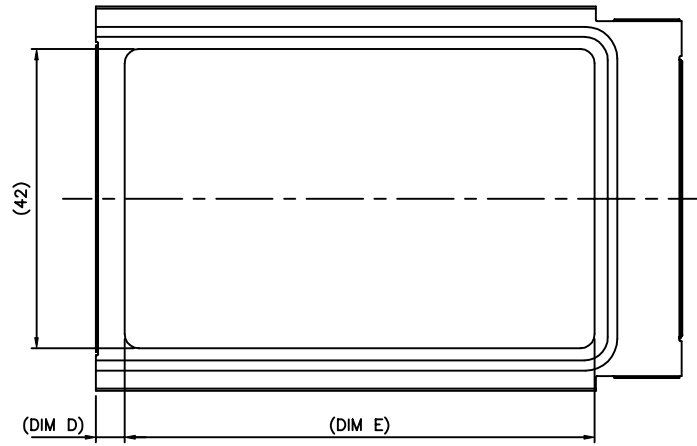
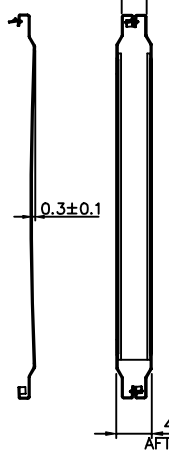


SEC. E-E
(SCALE 3:1)

VIEW OF 2
ASSEMBLED CARDSHIELDS



VIEW OF 2
ASSEMBLED CARDSHIELDS



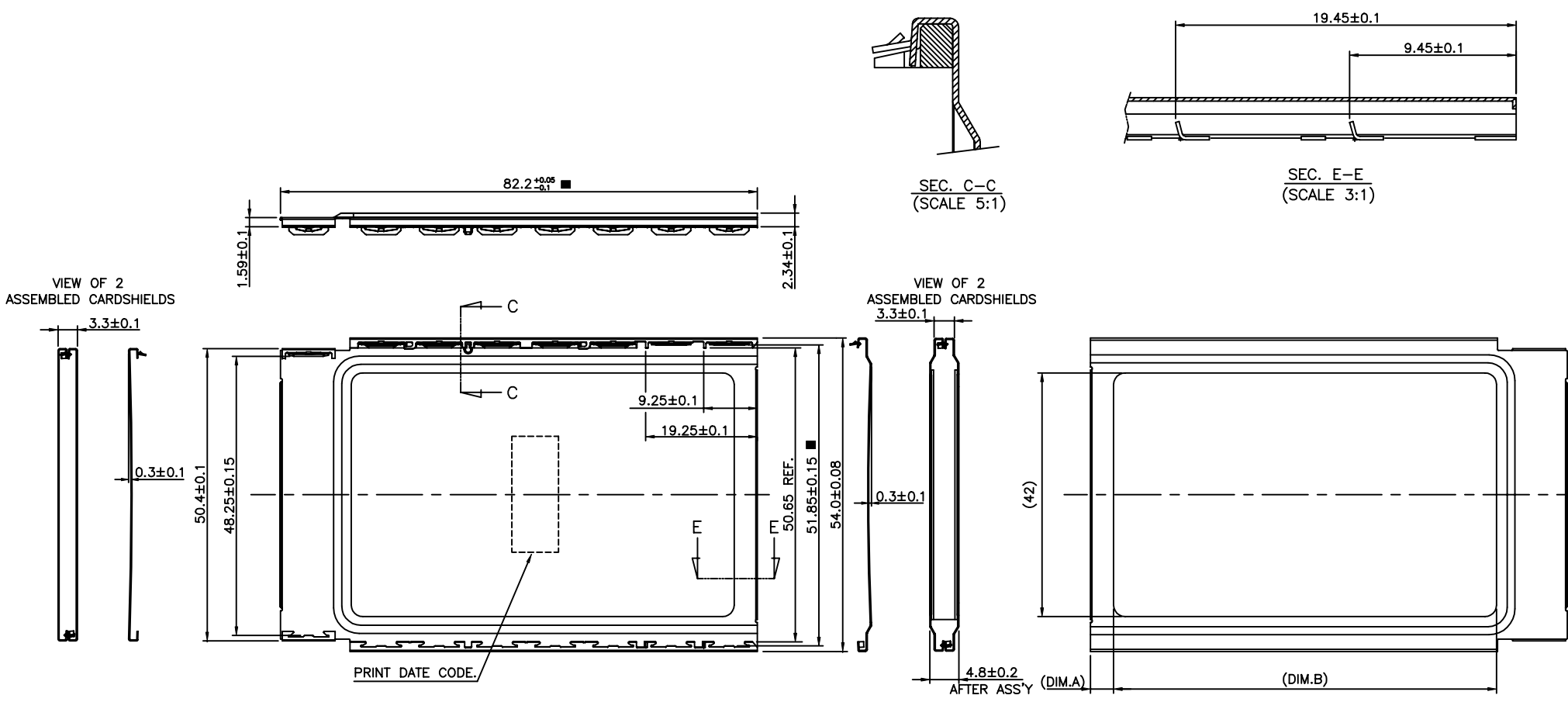
NOTE: 1. ■ : CPK MARK >= 1.5

mat'l code				tolerance unless otherwise specified				CUSTOMER		A FCI		www.fciconnect.com	
rev. ecn no. dr date				linear		X. ±0.3		COPY		title			
F						.X ±0.13		projection		ROCARD SHIELD			
				angles		.XX±0.05		⊕		product family		PCMCIA	
				dr		WENDY CHEN 10/21/02		unit		mm/inch		code	
				enr		DAVID TENG 10/21/02		size		dwg no.		sheet	
				chr		TONY CHIEN 10/21/02		scale		A3		10017657	
				appd		JENN TSAO 10/21/02						2 OF	
sheet		revision		sheet		sheet		sheet		sheet		sheet	

Tous droits strictement réservés. Reproduction ou communication a des tiers int sous quelque forme que ce soit sans autorisation écrite du propriétaire. Property of c BERG ELECTRONICS. Copyright BERG ELECTRONICS by

All rights strictly reserved. Reproduction or issue to third parties in any for whatever is not permitted without written authority from the proprietor. Property of c BERG ELECTRONICS. Copyright BERG ELECTRONICS by

1	2	3	4	5	6
PRODUCT NUMBER		DIM.A	DIM.B		
10017657-20100 OR 10017657-20100LF		4.0	66		
10017657-20200 OR 10017657-20200LF		7.0	63		



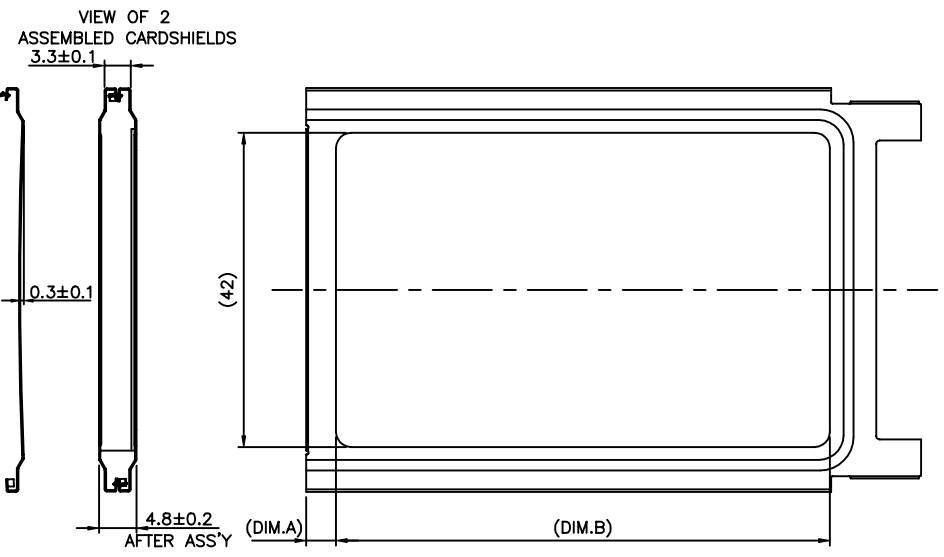
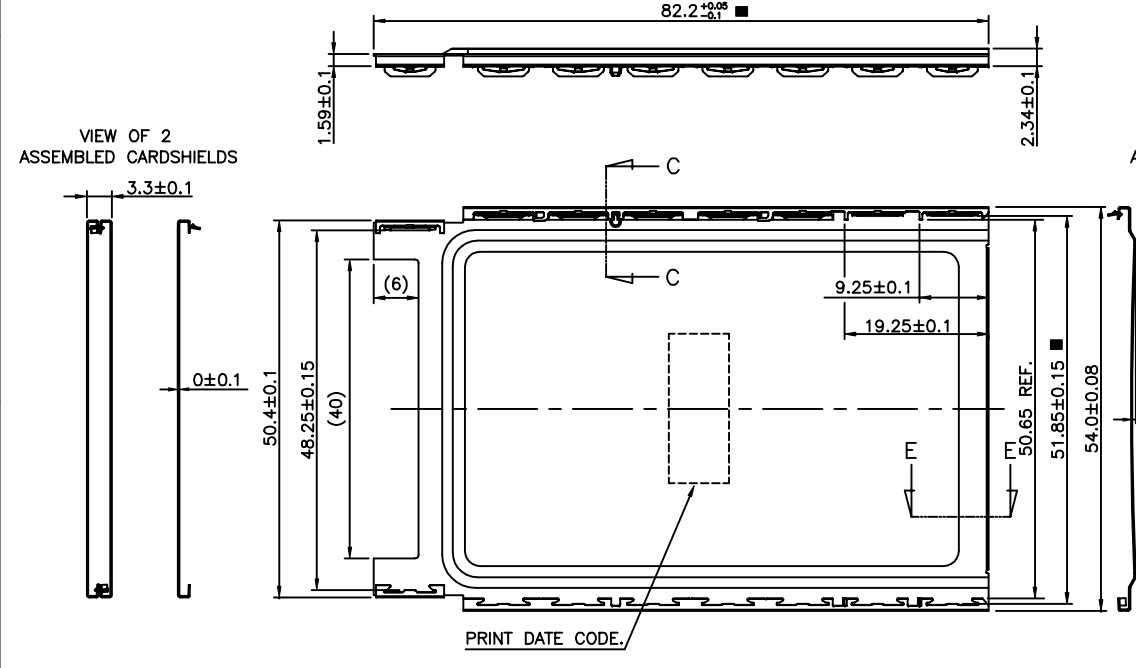
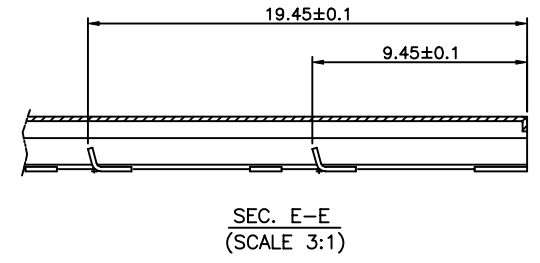
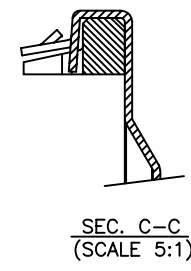
NOTE: 1. ■ : CPK MARK >= 1.5

mat'l code				tolerance unless otherwise specified				CUSTOMER		A FCI		www.fciconnect.com	
rev. ecn no. dr date				linear		X. ±0.3		COPY		title			
F						.X ±0.13		projection		ROCARD SHIELD			
				angles		.XX±0.05		⊕		product family		PCMCIA	
				dr		WENDY CHEN 10/21/02		unit		size		dwg no.	
				enr		DAVID TENG 10/21/02		mm/inch		A3		10017657	
				chr		TONY CHIEN 10/21/02		scale				sheet	
				appd		JENN TSAO 10/21/02						3 OF	
sheet		revision											
index		sheet											

Tous droits strictement réservés. Reproduction ou communication a des tiers int sous quelque forme que ce soit sans autorisation écrite du propriétaire. Property of c BERG ELECTRONICS. Droits de reproduction BERG ELECTRONICS by

All rights strictly reserved. Reproduction or issue to third parties in any for whatever is not permitted without written authority from the proprietor. Property of c BERG ELECTRONICS. Copyright BERG ELECTRONICS by

1	2	3	4	5	6
PRODUCT NUMBER		DIM.A	DIM.B		
10017657-20101 OR 10017657-20101LF		4.0	66		
10017657-20201 OR 10017657-20201LF		7.0	63		



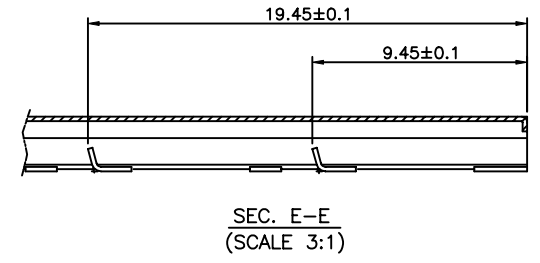
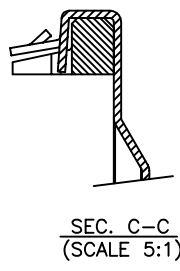
NOTE: 1. ■ : CPK MARK >= 1.5

mat'l code				tolerance unless otherwise specified				CUSTOMER COPY		 www.fciconnect.com	
rev.	ecn no.	dr	date	linear	X. ±0.3		projection			title	
F					.X ±0.13					ROCARD SHIELD	
					.XX±0.05					product family PCMCIA	
				angles	±2°		unit		size		
				dr	WENDY CHEN	10/21/02	mm/inch		dwg no.		
				enr	DAVID TENG	10/21/02	scale		10017657		
				chr	TONY CHIEN	10/21/02	A3		sheet		
				appd	JENN TSAO	10/21/02			4 OF		
sheet	revision										
index	sheet										

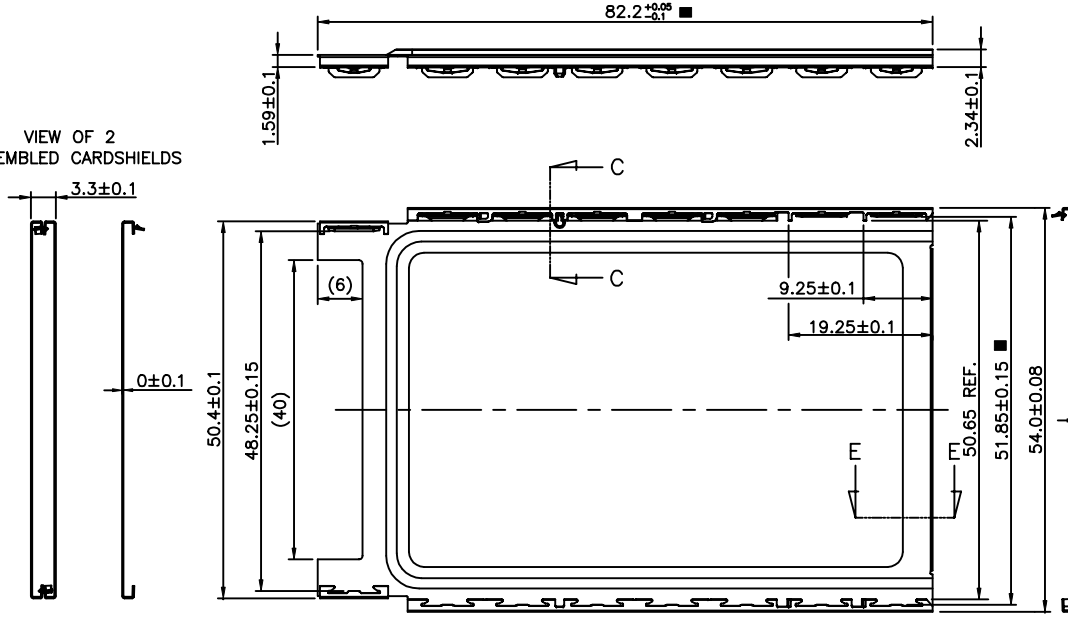
Tous droits strictement réservés. Reproduction ou communication à des tiers interdite sans autorisation écrite du propriétaire. Property of c BERG ELECTRONICS. Copyright BERG ELECTRONICS by

All rights strictly reserved. Reproduction or issue to third parties in any form or by any means, electronic or mechanical, including photocopying, recording, or by any information storage and retrieval system, is not permitted without written authority from the proprietor. Property of c BERG ELECTRONICS. Copyright BERG ELECTRONICS by

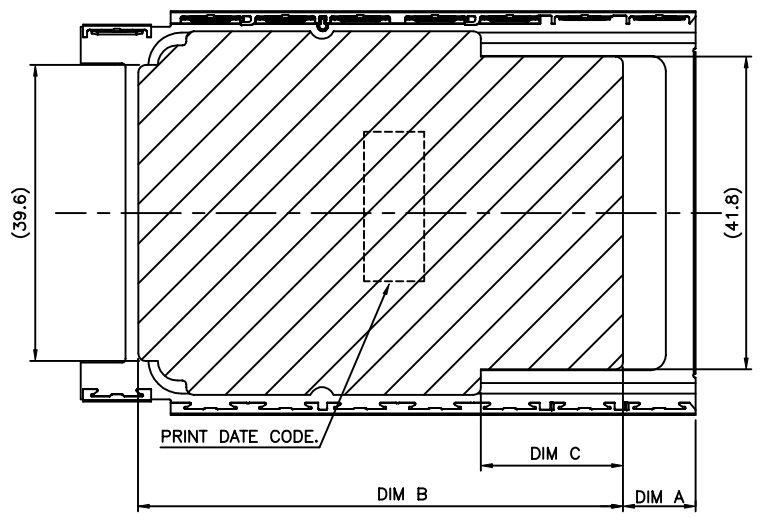
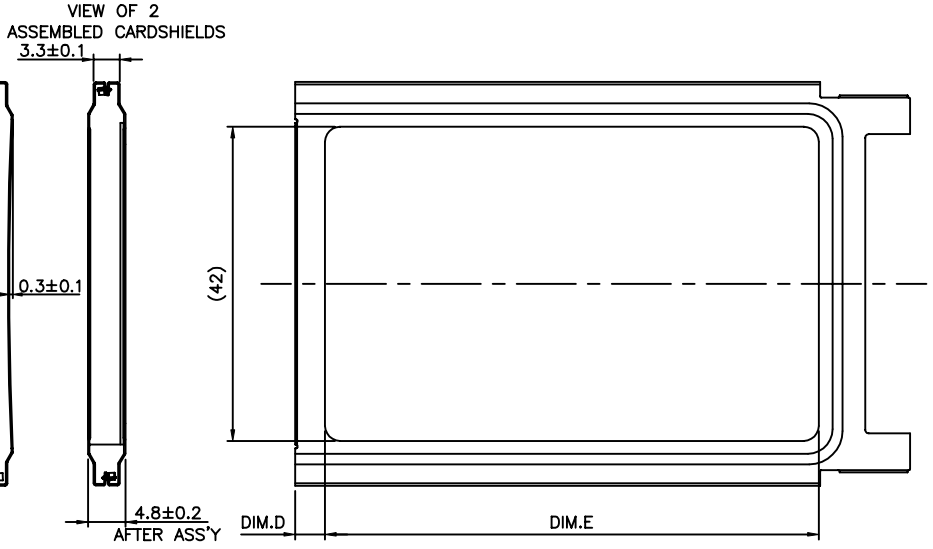
PRODUCT NUMBER	DIM A	DIM B	DIM C	DIM D	DIM E
10017657-20111 OR 10017657-20111LF	1.4±1.0	73.1 REF	27.3 REF	4.0	66
10017657-20121 OR 10017657-20121LF	9.7±1.0	64.8 REF	19.0 REF	4.0	66
10017657-20211 OR 10017657-20211LF	1.4±1.0	73.1 REF	27.3 REF	7.0	63
10017657-20221 OR 10017657-20221LF	9.7±1.0	64.8 REF	19.0 REF	7.0	63



VIEW OF 2 ASSEMBLED CARDSHIELDS



VIEW OF 2 ASSEMBLED CARDSHIELDS



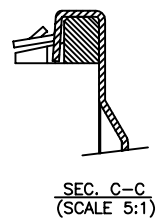
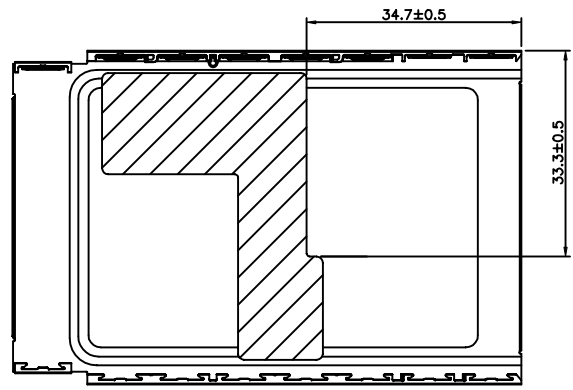
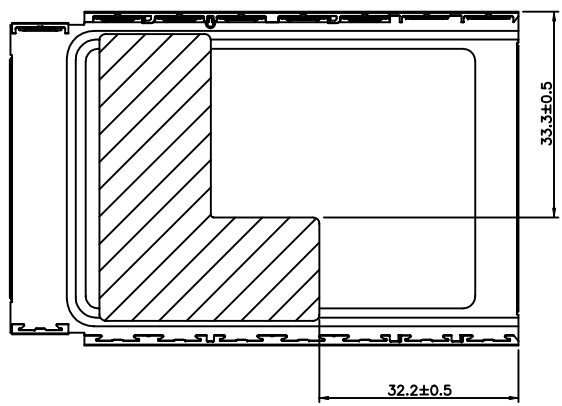
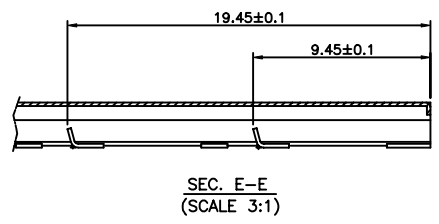
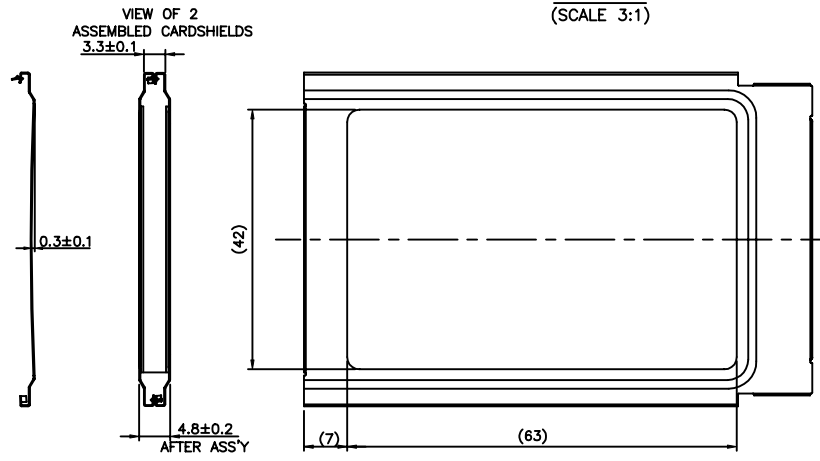
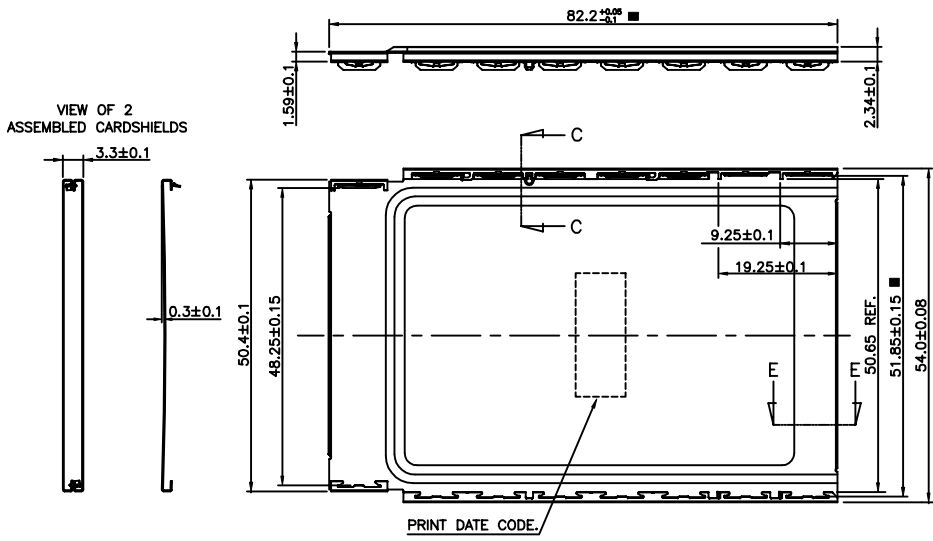
NOTE: 1. ■ : CPK MARK >= 1.5

mat'l code		tolerance unless otherwise specified		CUSTOMER		 www.fciconnect.com	
rev.	ecn no.	dr	date	linear	X. ±0.3	COPY	
F					.X ±0.13	projection	title
				angles	.XX±0.05	ROCARD SHIELD	
					±2°	product family PCMCIA	
				dr	WENDY CHEN 10/21/02	unit	code
				enr	DAVID TENG 10/21/02	mm/inch	size
				chr	TONY CHIEN 10/21/02	scale	dwg no.
				appd	JENN TSAO 10/21/02	A3	10017657
sheet	revision						sheet
index	sheet						5 OF

Tous droits strictement réservés. Reproduction ou communication à des tiers int
 sous quelque forme que ce soit sans autorisation écrite du propriétaire.
 Propriété de c BERG ELECTRONICS
 Droits de reproduction BERG ELECTRONICS by

All rights strictly reserved. Reproduction or issue to third parties in any for
 whatever is not permitted without written authority from the proprietor.
 Property of c BERG ELECTRONICS.
 Copyright BERG ELECTRONICS by

1 PRODUCT NUMBER		2 CISCO P/N		3		4		5		6	
10017657-20230-C1 OR 10017657-20230-1LF		62-10960-01									
10017657-20230-C2 OR 10017657-20230-2LF		62-10962-01									



P/N: 10017657-20230-C1
 OR
 P/N: 10017657-20230-C1LF

P/N: 10017657-20230-C2
 OR
 P/N: 10017657-20230-C2LF

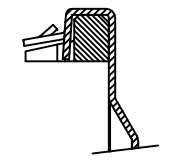
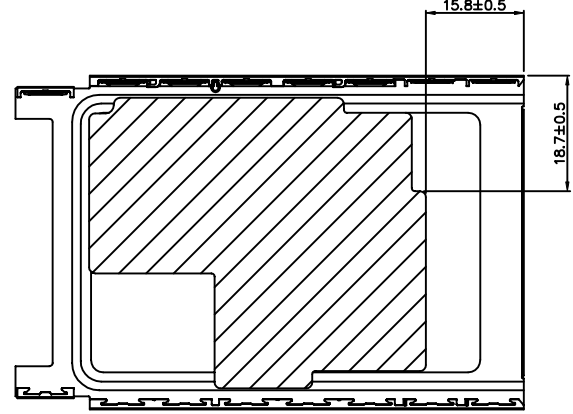
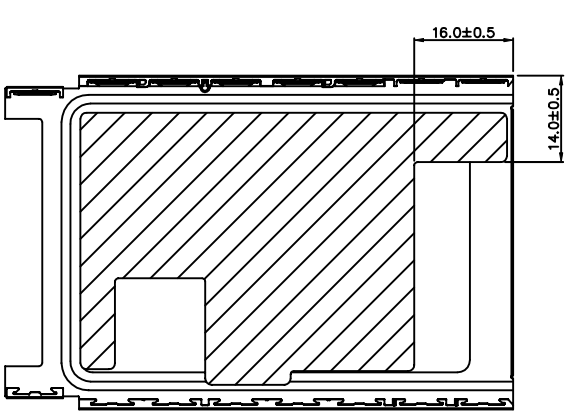
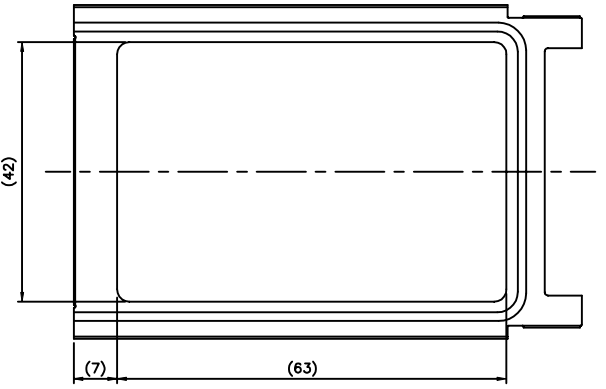
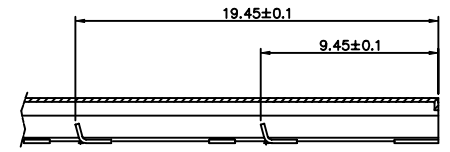
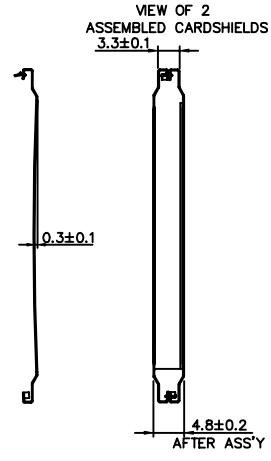
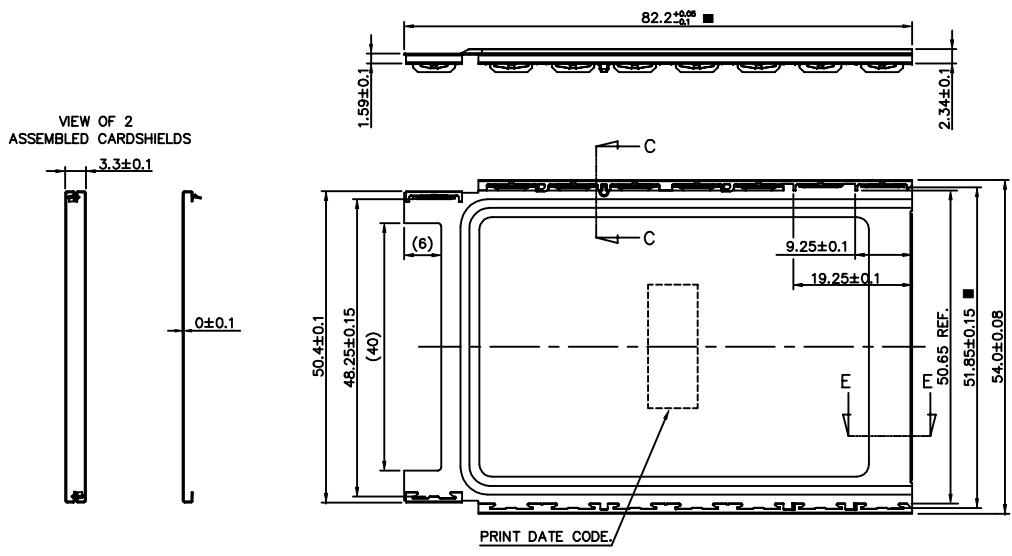
NOTE: 1. ■ : CPK MARK >= 1.5

mat'l code				tolerance unless otherwise specified				CUSTOMER COPY			
rev. ecn no. dr date				linear		X. ±0.3		A FCI www.fciconnect.com			
F						.X ±0.13		title ROCARD SHIELD			
						.XX ±0.05		CUSTOMIZED INSULATOR			
				angles		±2°		product family PCMCIA code			
				dr		WENDY CHEN 04/03/03		size dwg no.			
				enr		DAVID TENG 04/03/03		A3 10017657 sheet 6 OF			
				chr		TONY CHIEN 04/03/03					
				appd		JENN TSAO 04/03/03					
sheet revision		index sheet									

Tous droits strictement réservés. Reproduction ou communication a des tiers int sous quelque forme que ce soit sans autorisation écrite du propriétaire. Property of c BERG ELECTRONICS. Copyright BERG ELECTRONICS by

All rights strictly reserved. Reproduction or issue to third parties in any for whatever is not permitted without written authority from the proprietor. Property of c BERG ELECTRONICS. Copyright BERG ELECTRONICS by

1 PRODUCT NUMBER		2 CISCO P/N	
10017657-20231-C1 OR 10017657-20231-1LF		62-10959-01	
10017657-20231-C2 OR 10017657-20231-2LF		62-10961-01	



P/N: 10017657-20231-C1
OR
P/N: 10017657-20231-C1LF

P/N: 10017657-20231-C2
OR
P/N: 10017657-20231-C2LF

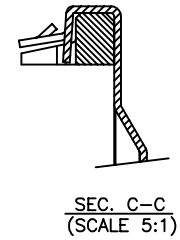
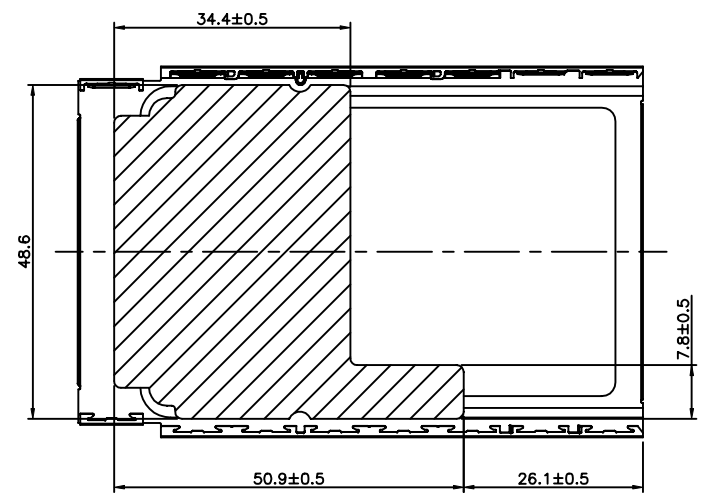
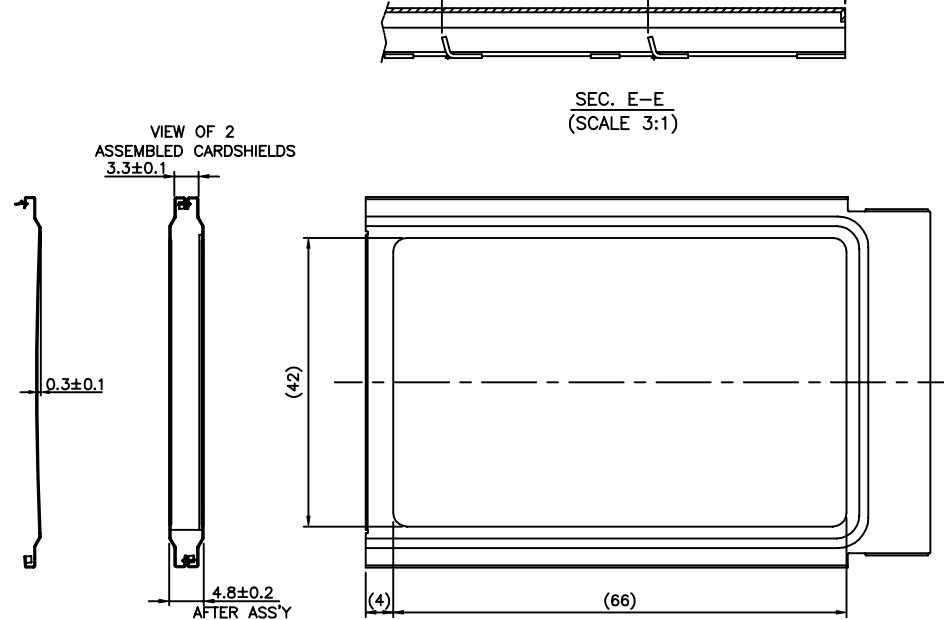
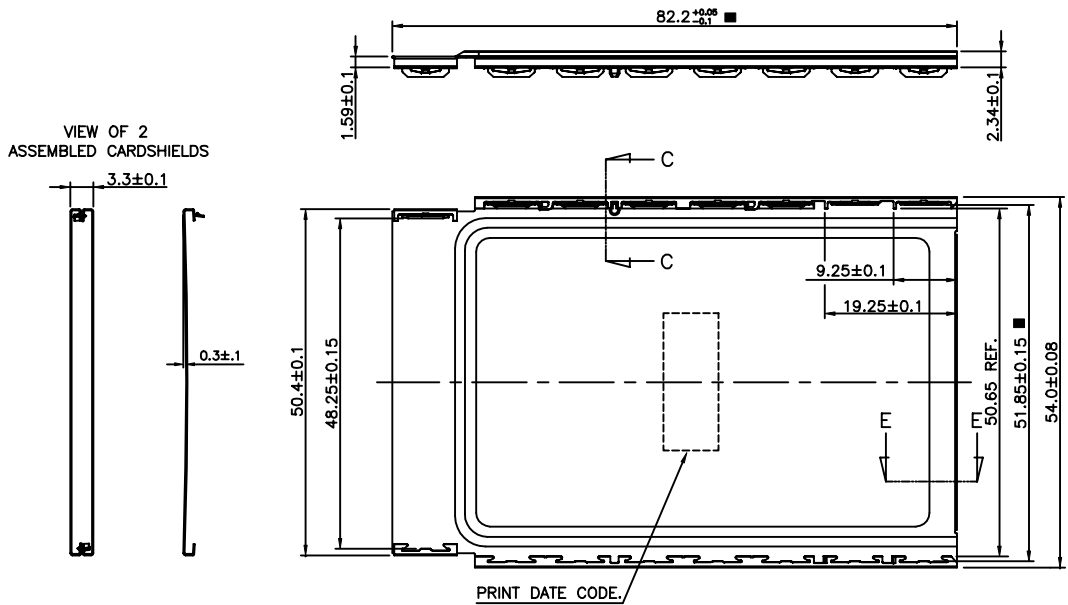
NOTE: 1. ■ : CPK MARK >= 1.5

mat'l code		tolerance unless otherwise specified		CUSTOMER COPY		 www.fciconnect.com	
rev.	ecn no.	dr	date	linear	X. ±0.3	projection	title
F					.X ±0.13		ROCARD SHIELD CUSTOMIZED INSULATOR
				angles	.XX±0.05		product family
					±2°	unit	code
				dr	WENDY CHEN 04/03/03	mm/inch	size
				enr	DAVD TENG 04/03/03	scale	dwg no.
				chr	TONY CHIEN 04/03/03	A3	10017657
				appd	JENN TSAO 04/03/03		sheet
sheet	revision						7 OF
index	sheet						

Tous droits strictement réservés. Reproduction ou communication à des tiers int sous quelque forme que ce soit sans autorisation écrite du propriétaire. Property of c BERG ELECTRONICS. Copyright BERG ELECTRONICS by

All rights strictly reserved. Reproduction or issue to third parties in any for whatever is not permitted without written authority from the proprietor. Property of c BERG ELECTRONICS. Copyright BERG ELECTRONICS by

1	2	3	4	5	6
PRODUCT NUMBER		GEMTEK P/N			
10017657-20130-G1 OR 10017657-20130-1LF		23-600-0027			



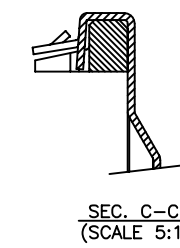
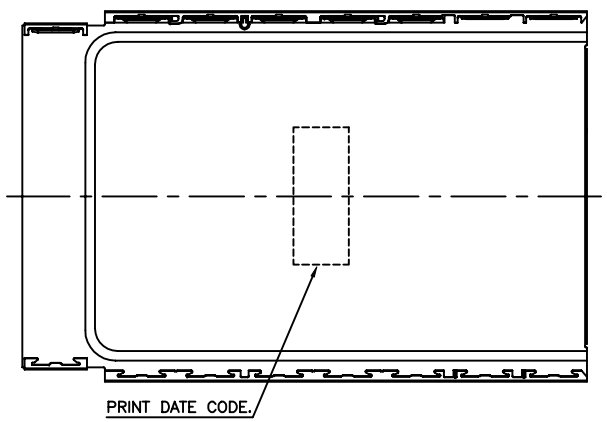
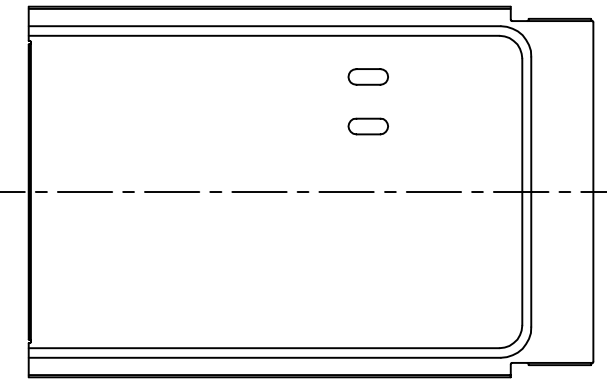
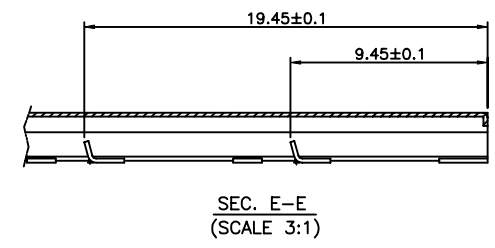
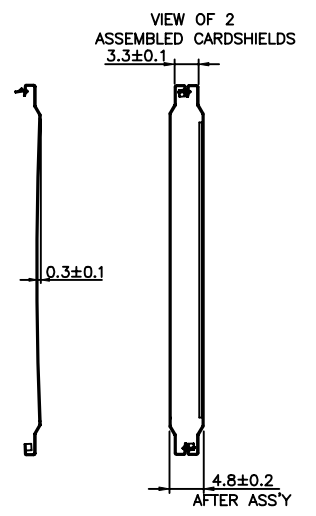
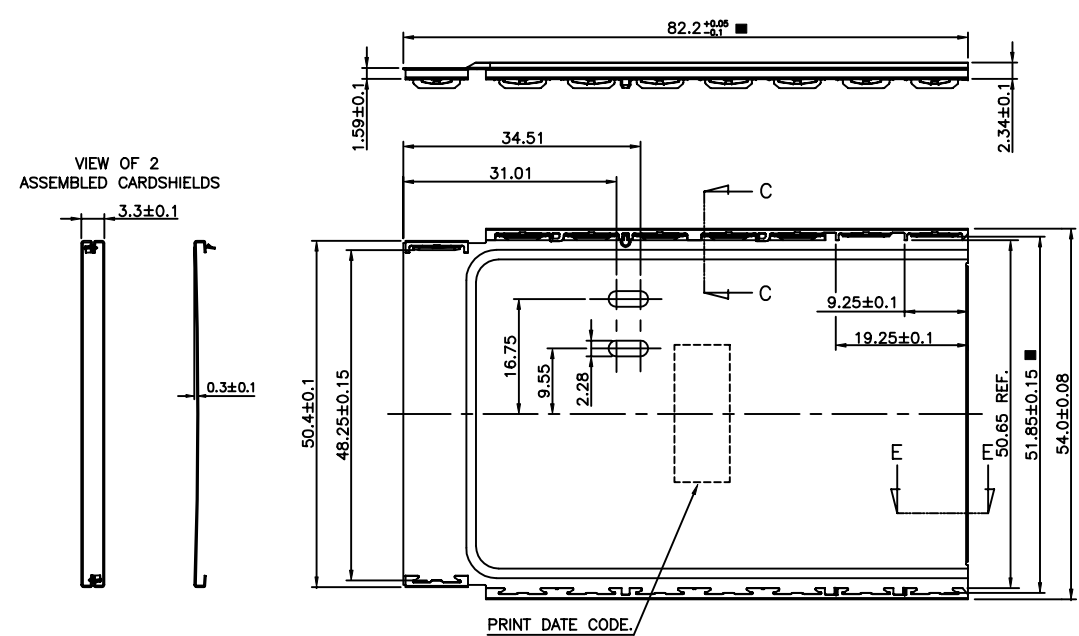
NOTE: 1. ■ : CPK MARK >= 1.5

mat'l code		tolerance unless otherwise specified		CUSTOMER COPY		 www.fciconnect.com	
rev.	ecn no.	dr	date	linear	X. ±0.3	projection	title
F					.X ±0.13		ROCARD SHIELD CUSTOMIZED INSULATOR
				angles	.XX±0.05		product family
				dr	±2°	unit	code
				enr		mm/inch	size
				chr	WENDY CHEN 07/15/03	scale	dwg no.
				appd	DAVID TENG 07/15/03	A3	10017657
sheet	revision				JENN TSAO 07/15/03		sheet
index	sheet						8 OF

Tous droits strictement réservés. Reproduction ou communication a des tiers int sous quelque forme que ce soit sans autorisation écrite du propriétaire. Property of c BERG ELECTRONICS. Copyright BERG ELECTRONICS by

All rights strictly reserved. Reproduction or issue to third parties in any for whatever is not permitted without written authority from the proprietor. Property of c BERG ELECTRONICS. Copyright BERG ELECTRONICS by

1 PRODUCT NUMBER		2 REMARK		4		5		6
10017657-20000 OR 10017657-20000LF		STANDARD TYPE (NONE OVAL-SHAPE HOLE)						
10017657-20000-01 OR 10017657-20000-1LF		FOR NOVATEL SPECIAL REQUEST (WITH OVAL-SHPAE HOLE)						



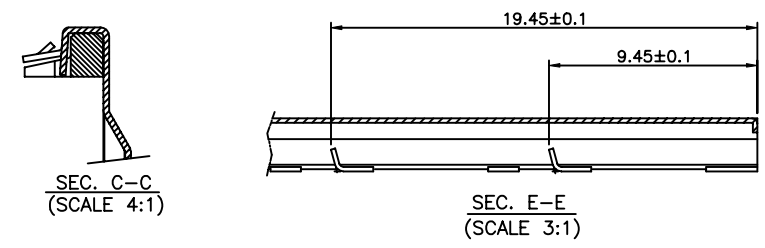
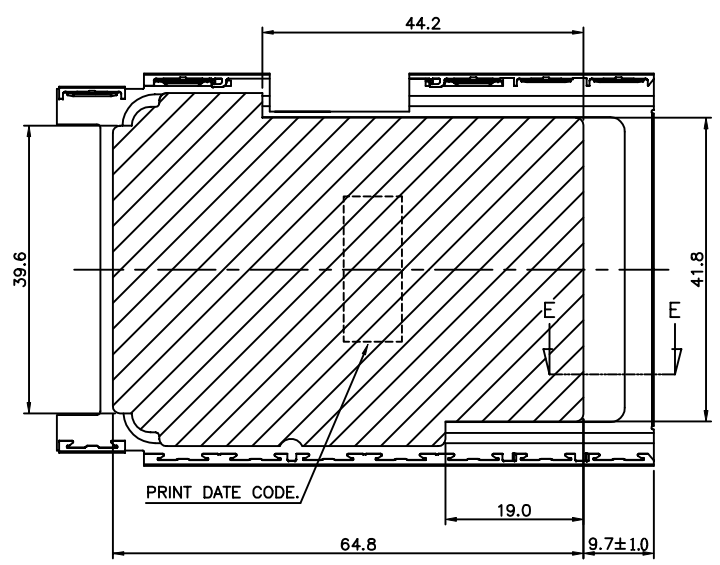
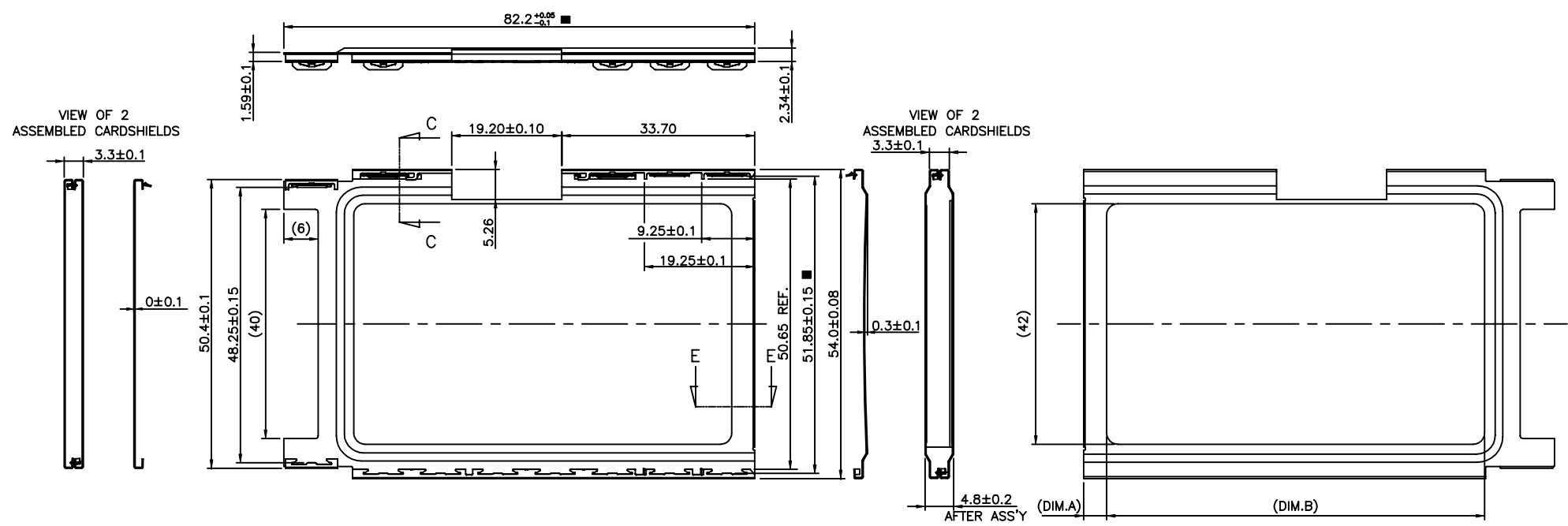
NOTE: 1. ■ : CPK MARK >= 1.5

P/N: 10017657-20000 OR 10017657-20000LF

mat'l code		tolerance unless otherwise specified		CUSTOMER COPY		 www.fciconnect.com	
rev.	ecn no.	dr	date	linear	X. ±0.3	projection	title
F					.X ±0.13		
				angles	.XX±0.05		product family PCMCIA
					±2°		
				dr	WENDY CHEN 04/03/06	scale A3	size 10017657
				enr	DAVID TENG 04/03/06		
				chr	DAVID TENG 04/03/06		
				appd	JOSEPH HSIA 04/03/06		
sheet index	revision sheet						

1		2		3		4		5		6	
PRODUCT NUMBER	DIM.A	DIM.B	FRAME		INSULATOR						
10017657-20201-1LF	7.0	63	YES WITH SPECIAL CUT		YES						

Tous droits strictement réservés. Reproduction ou communication a des tiers int sous quelque forme que ce soit sans autorisation écrite du propriétaire. Property of c BERG ELECTRONICS. Droits de reproduction BERG ELECTRONICS by



NOTE: 1. ■ : CPK MARK >= 1.5

All rights strictly reserved. Reproduction or issue to third parties in any for whatever is not permitted without written authority from the proprietor. Property of c BERG ELECTRONICS. Copyright BERG ELECTRONICS by

P/N: 10017657-20201-1LF

mat'l code				tolerance unless otherwise specified				CUSTOMER COPY		 www.fciconnect.com	
rev.	ecn no.	dr	date	linear	X. ±0.3		projection	title			
H					.X ±0.13			ROCARD SHIELD			
					.XX ±0.05			CUSTOMIZED REQUIREMENT			
				angles	±2°		 unit mm/inch scale A3	product family		code	
				dr	WENDY CHEN 05/10/06			PCMCIA			
				enr	DAVID TENG 05/10/06			size		dwg no.	
				chr	DAVID TENG 05/10/06			A3		10017657	
				appd	JOSEPH HSIA 05/10/06		scale		100F		
sheet	revision										
index	sheet										

AMEYA360

Components Supply Platform

Authorized Distribution Brand :



Website :

Welcome to visit www.ameya360.com

Contact Us :

➤ Address :

401 Building No.5, JiuGe Business Center, Lane 2301, Yishan Rd
Minhang District, Shanghai , China

➤ Sales :

Direct +86 (21) 6401-6692

Email amall@ameya360.com

QQ 800077892

Skype [ameyasales1](#) [ameyasales2](#)

➤ Customer Service :

Email service@ameya360.com

➤ Partnership :

Tel +86 (21) 64016692-8333

Email mkt@ameya360.com