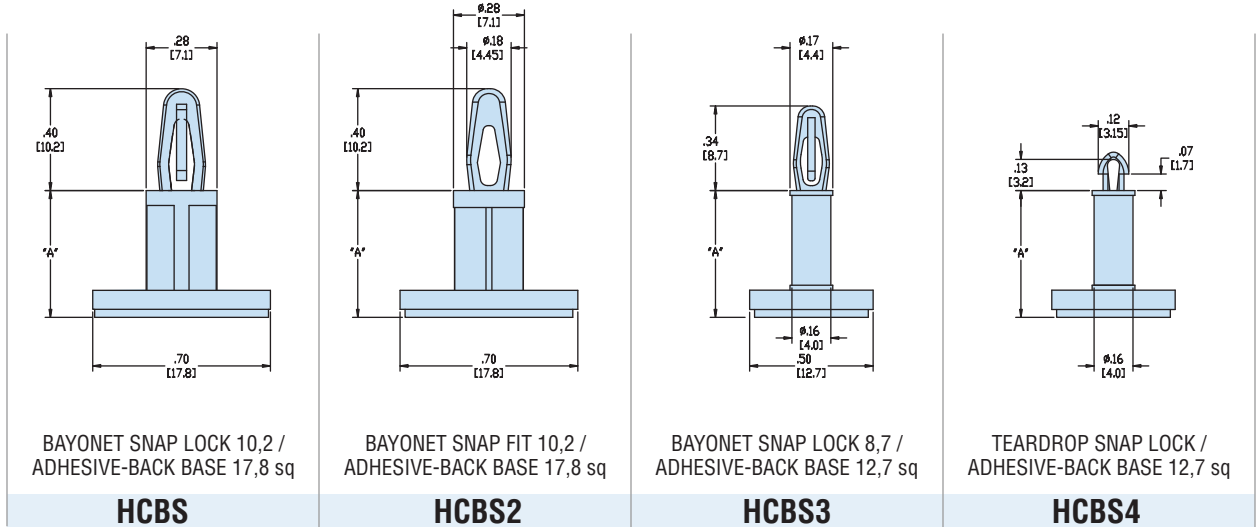




Heyco® Nylon PCB Supports - Adhesive-Back Mount



PCB	Maximum Thickness		Mounting Hole Diameter		Maximum Thickness		Mounting Hole Diameter		Maximum Thickness		Mounting Hole Diameter		Maximum Thickness		Mounting Hole Diameter	
	in.	mm.	in.	mm.	in.	mm.	in.	mm.	in.	mm.	in.	mm.	in.	mm.	in.	mm.
	.062	1,6	.157	4,0	.062	1,6	.157	4,0	.062	1,6	.125	3,2	.062	1,6	.098	2,5
Chassis	adhesive-back mount				adhesive-back mount				adhesive-back mount				adhesive-back mount			
A	PART NO.		DESCRIPTION	PART NO.		DESCRIPTION	PART NO.		DESCRIPTION	PART NO.		DESCRIPTION	PART NO.		DESCRIPTION	
	in.	mm.		Natural	Natural		Natural	Natural		Natural	Natural					
.187	4,8	10772	HCBS-03-AB	10784	HCBS2-03-AB	10794	HCBS3-03-AB	10803	HCBS4-03-AB							
.250	6,4	10773	HCBS-04-AB	10785	HCBS2-04-AB	10795	HCBS3-04-AB	10804	HCBS4-04-AB							
.312	7,9	10774	HCBS-06-AB	10786	HCBS2-06-AB	10796	HCBS3-05-AB	10805	HCBS4-06-AB							
.375	9,5															
.437	11,1	10775	HCBS-08-AB	10787	HCBS2-08-AB	10798	HCBS3-07-AB	10806	HCBS4-07-AB							
.500	12,7															
.562	14,3	10776	HCBS-10-AB	10788	HCBS2-10-AB	10800	HCBS3-09-AB	10808	HCBS4-10-AB							
.625	15,9															
.750	19,1	10777	HCBS-12-AB	10789	HCBS2-12-AB											
.875	22,2	10778	HCBS-14-AB	10790	HCBS2-14-AB											
1.000	25,4	10779	HCBS-16-AB	10791	HCBS2-16-AB											
1.125	28,6	10780	HCBS-18-AB	10792	HCBS2-18-AB											

Standard color natural.

Quick Specs

Material Nylon 6/6
 Flammability Rating 94V-2
 Temperature Range .4°F (-18°C) to 185°F (85°C)

AMEYA360

Components Supply Platform

Authorized Distribution Brand :



Website :

Welcome to visit www.ameya360.com

Contact Us :

➤ Address :

401 Building No.5, JiuGe Business Center, Lane 2301, Yishan Rd
Minhang District, Shanghai , China

➤ Sales :

Direct +86 (21) 6401-6692

Email amall@ameya360.com

QQ 800077892

Skype [ameyasales1](#) [ameyasales2](#)

➤ Customer Service :

Email service@ameya360.com

➤ Partnership :

Tel +86 (21) 64016692-8333

Email mkt@ameya360.com