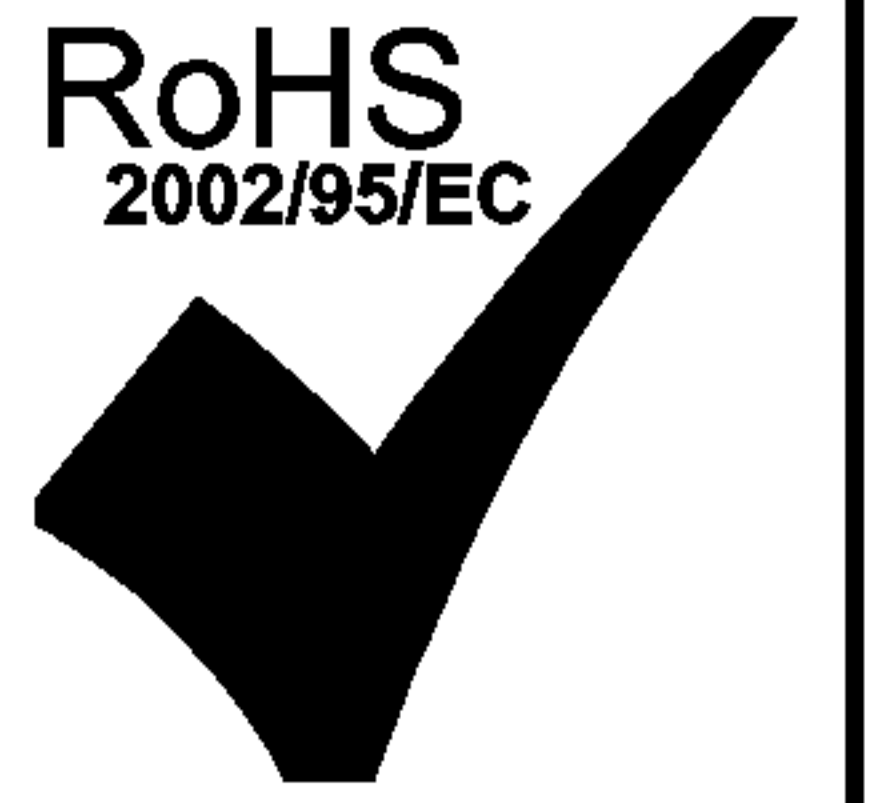


THE INFORMATION CONTAINED HEREIN IS CONSIDERED "PROPRIETARY" TO BEL FUSE INC. AND SHALL NOT BE COPIED, REPRODUCED OR DISCLOSED WITHOUT THE WRITTEN APPROVAL OF BEL FUSE INC.

RoHS
2002/95/EC



ELECTRICAL CHARACTERISTICS @ 25°C

TURNS RATIO

TX	1CT : 1
RX	1CT : 1
QCL @ 100kHz/100mVRMS	350μH MIN.
8mA DC BIAS	
INS. LOSS	
1MHz TO 100MHz	-1.0 dB MAX
RET. LOSS (MIN)	
1MHz-30MHz	-18 dB
30MHz-60MHz	-18+20LOG(F/30MHz) dB
60MHz-80MHz	-12 dB
CROSS TALK (TX - RX)	
500kHz - 100 MHz	-35 dB MIN
CM TO CM REJ	
100kHz - 100 MHz	-30 dB MIN
CM TO DM REJ	
100kHz - 100 MHz	-40 dB MIN
HIPOT (Isolation Voltage):	1500 Vrms
100% OF PRODUCTION TESTED TO COMPLY WITH IEEE 802.3 ISOLATION REQUIREMENTS.	

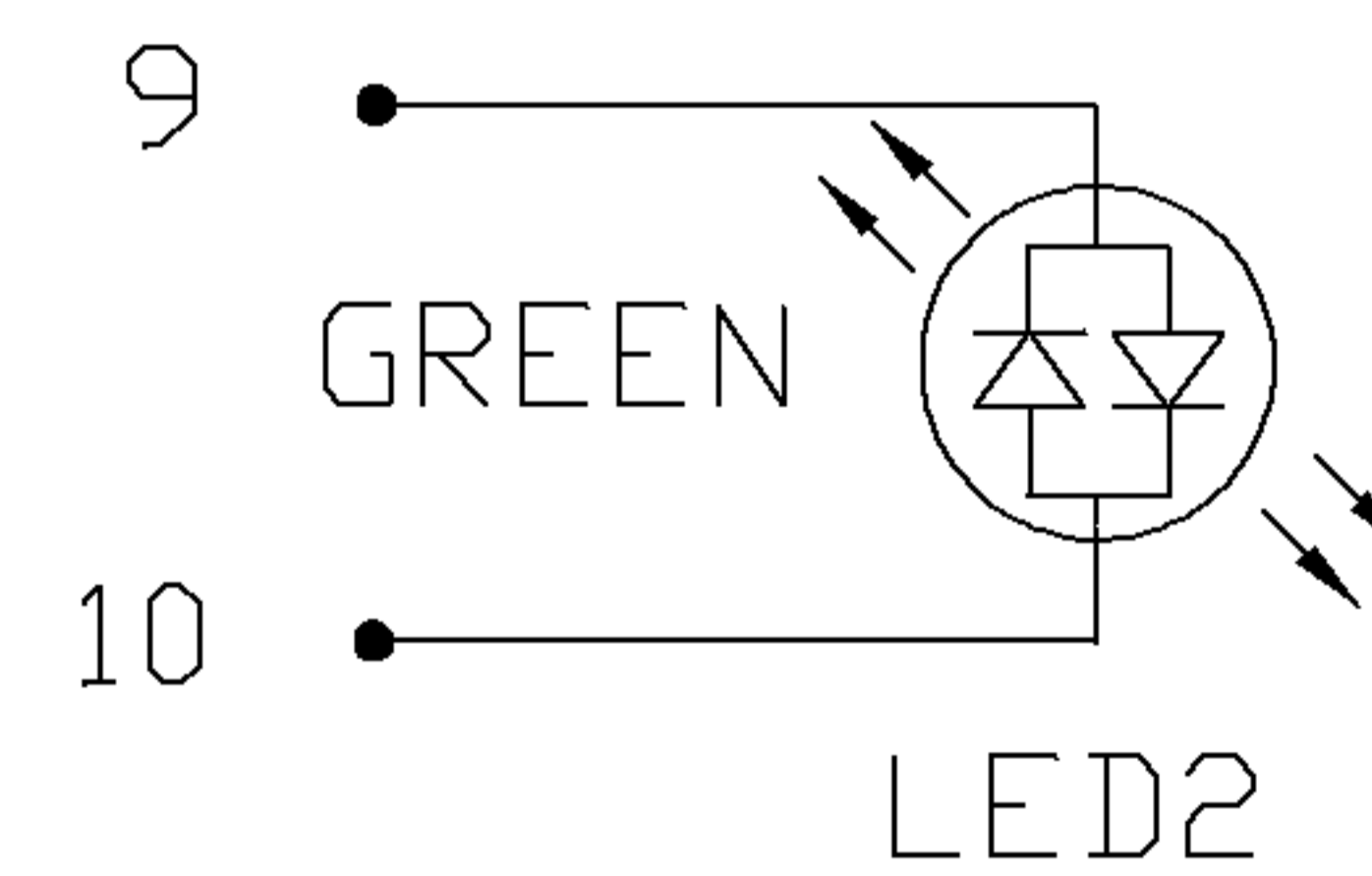
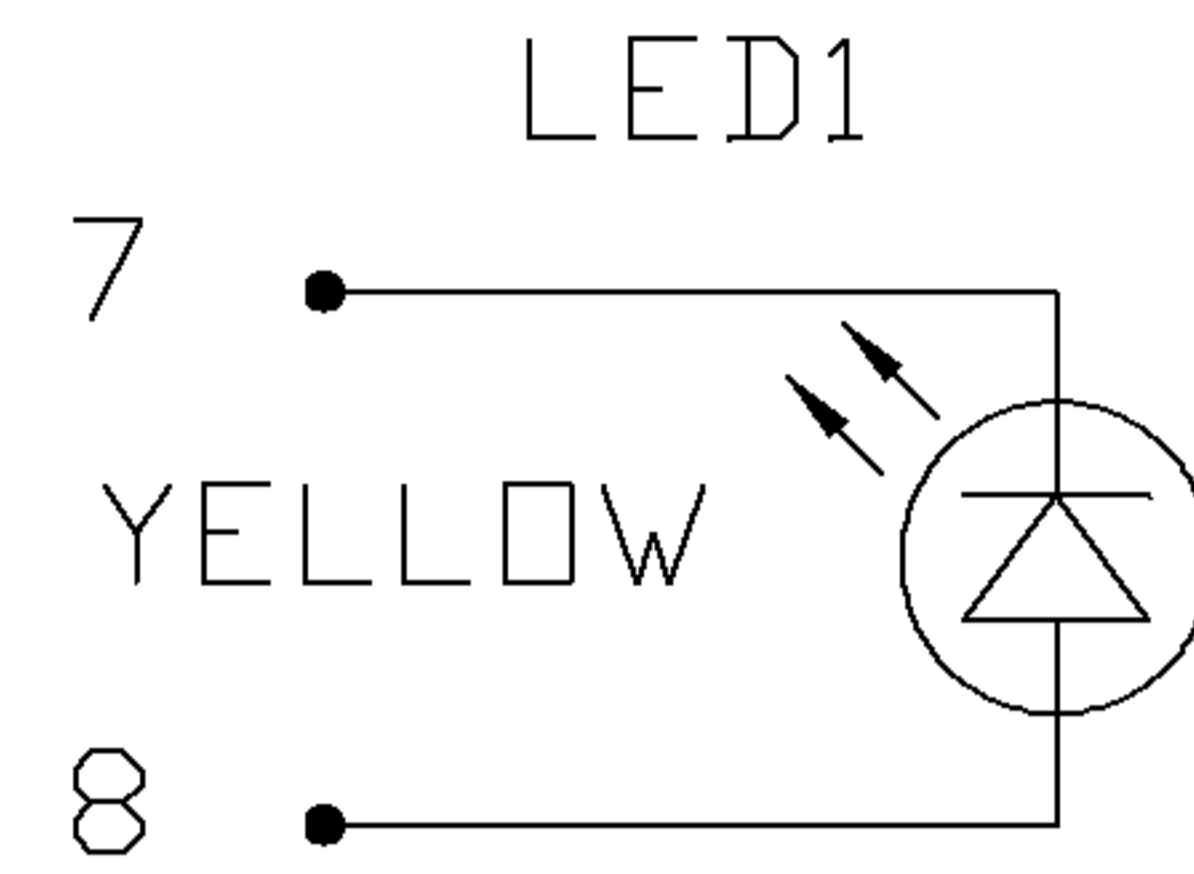
LED 1

VF (FORWARD VOLTAGE) IF=20mA YELLOW 2.1V TYP.
λD (DOMINANT WAVELENGTH) IF=20mA YELLOW 590nm TYP.

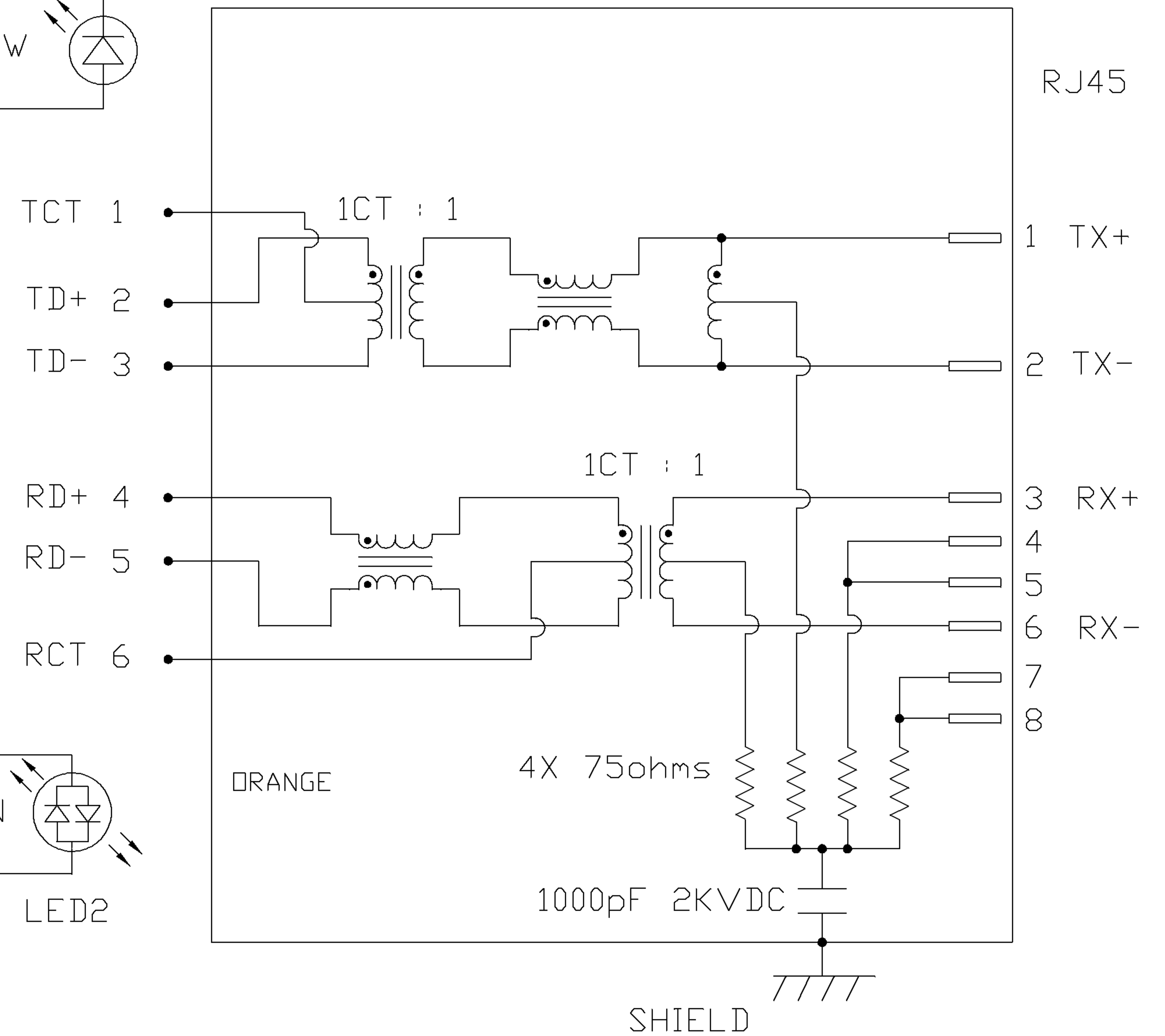
LED 2

VF (FORWARD VOLTAGE) IF=20mA ORANGE 2.0V TYP.
GREEN 2.2V TYP.
λD (DOMINANT WAVELENGTH) IF=20mA ORANGE 610nm TYP.
GREEN 565nm TYP.

LED1 POLARITY			LED2 POLARITY		
PIN 7	PIN 8	COLOR	PIN 9	PIN 10	COLOR
-	+	YELLOW	+	-	ORANGE
			-	+	GREEN



SCHEMATIC



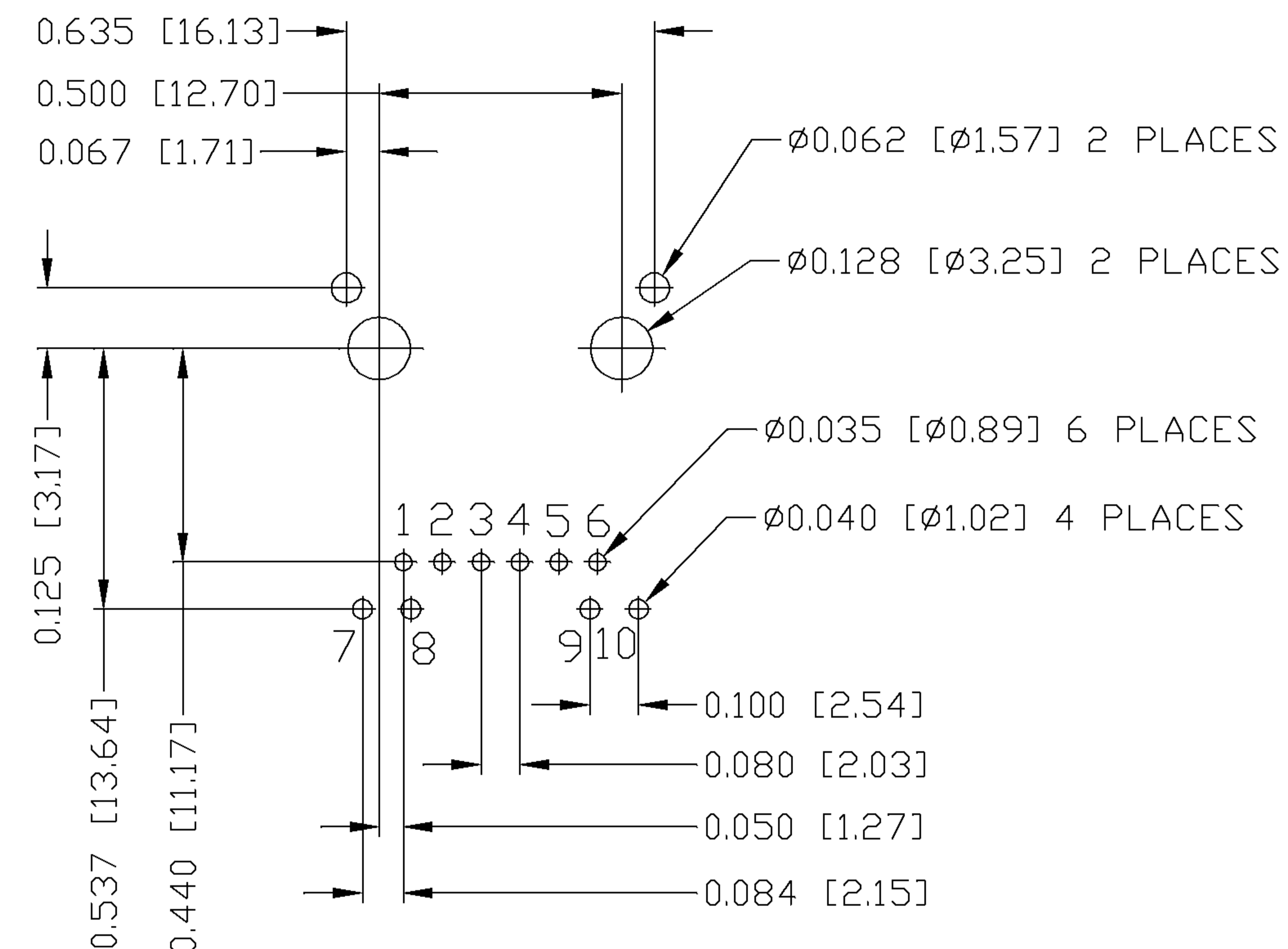
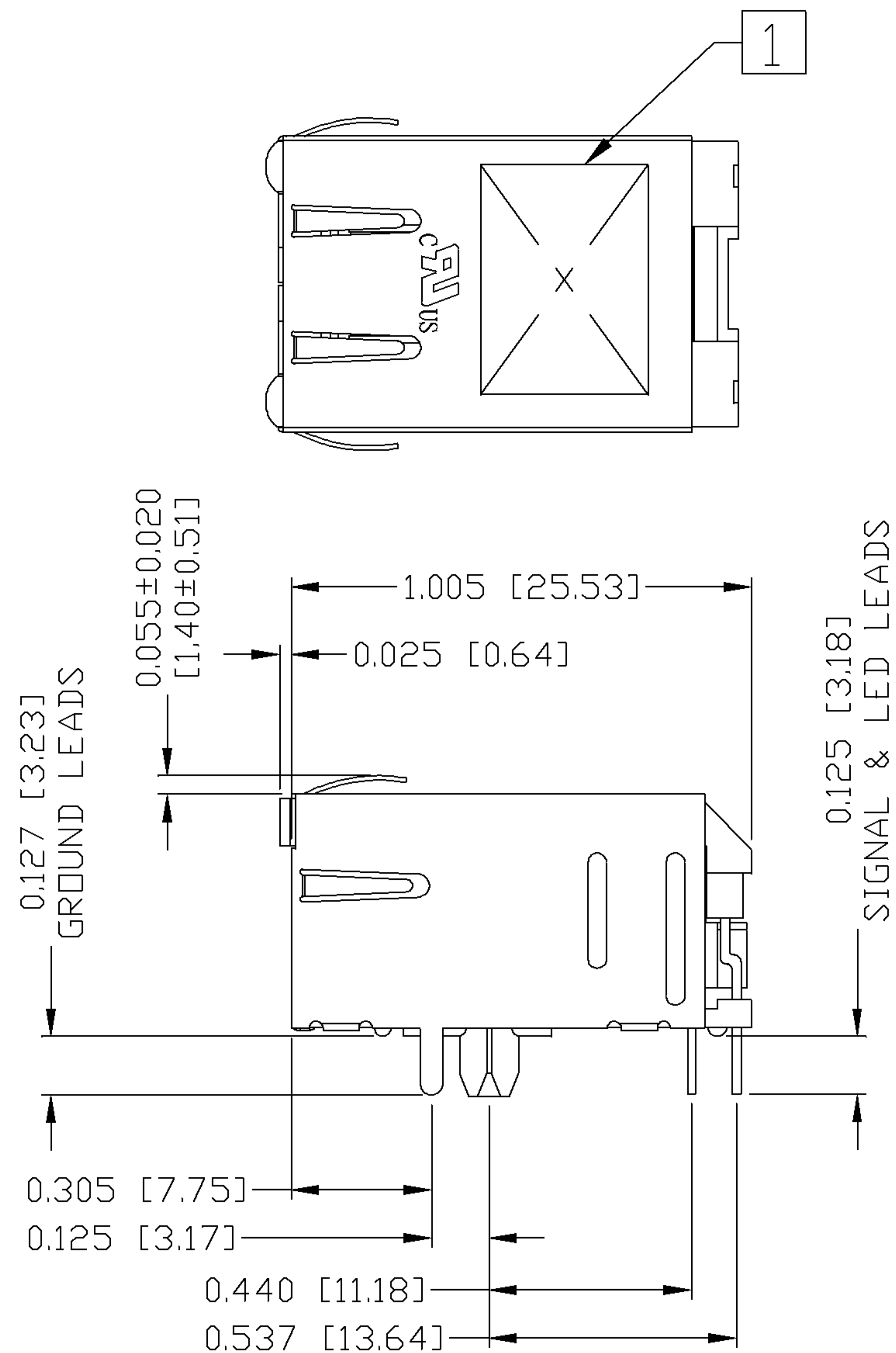
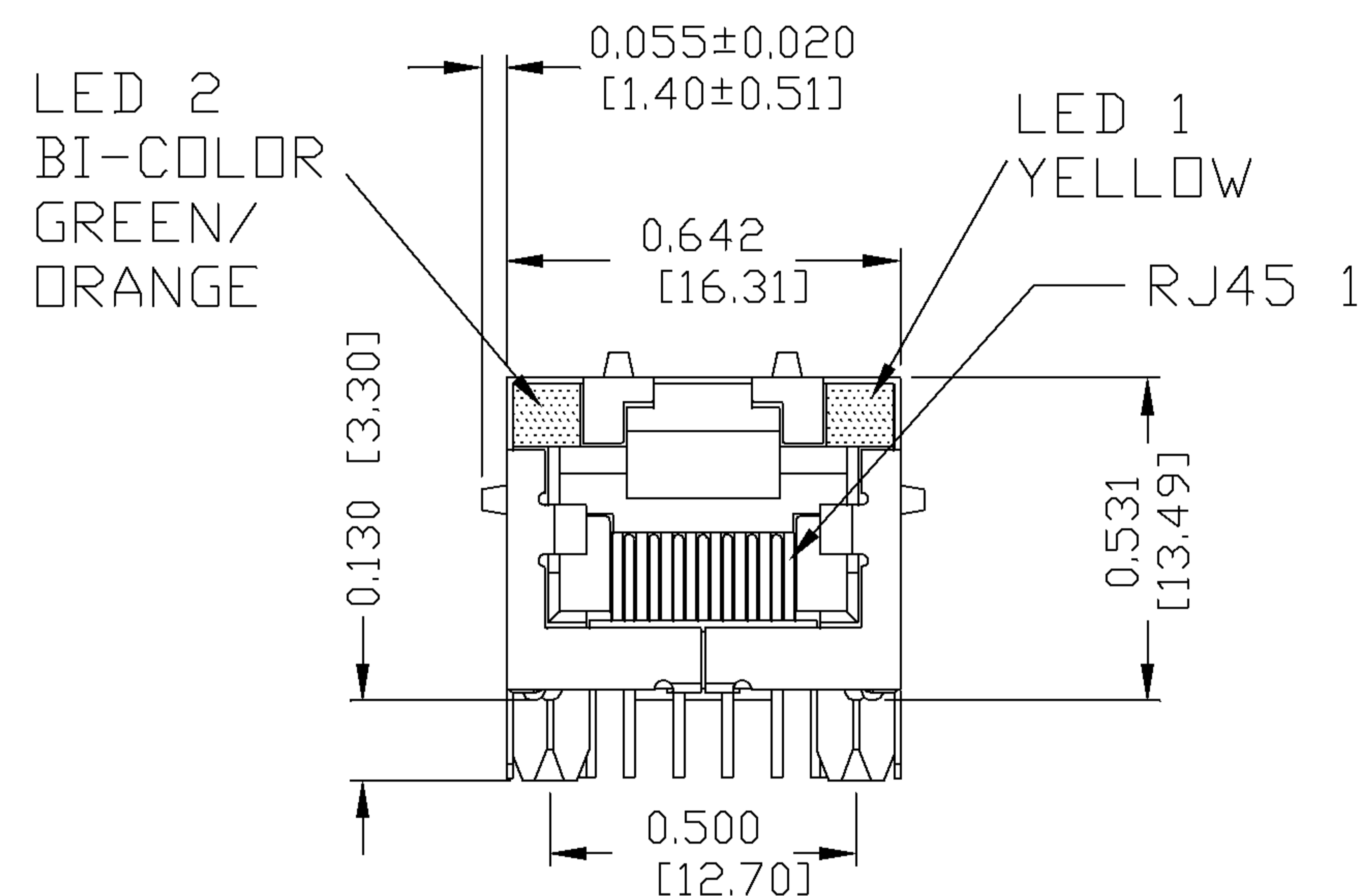
ORIGINATED BY CHOW WANCHUNG	DATE 02-04-08	TITLE MagJack® (CM Termination)	PART NO. / DRAWING NO. 08B01X1T03-F	STANDARD DIM. TOL. IN INCH .X	[] METRIC DIM. AS REFERENCE UNIT : INCH [mm]	REV. : B	 COMPONENTS FOR A CONNECTED PLANET
DRAWN BY DENG PING	DATE 02-04-08	FILE NAME 08B0-1X1T-03-F	FILE NAME 08B01X1T03-F_B.DWG	.XX	SCALE : N/A	SIZE : A4	
				.XXX		PAGE : 2	

THE INFORMATION CONTAINED HEREIN IS CONSIDERED "PROPRIETARY" TO BEL FUSE INC. AND SHALL NOT BE COPIED, REPRODUCED OR DISCLOSED WITHOUT THE WRITTEN APPROVAL OF BEL FUSE INC.



MECHANICAL SPECIFICATION

RECOMMENDED PCB FOOTPRINT
COMPONENT SIDE VIEW



NOTES:

- PLASTIC HOUSING: THERMOPLASTIC PBT
FLAMMABILITY RATING UL 94V-0
- CONTACTS PLATING: 15 MICRO-INCH HARD GOLD PLATING
- PINS: TIN-COATED COPPER WIRE, DIA 0.018 INCH.
- METAL SHIELD: NICKEL PLATED ON COPPER ALLOY.
(ALL GROUND LEADS ARE SOLDER DIPPED)

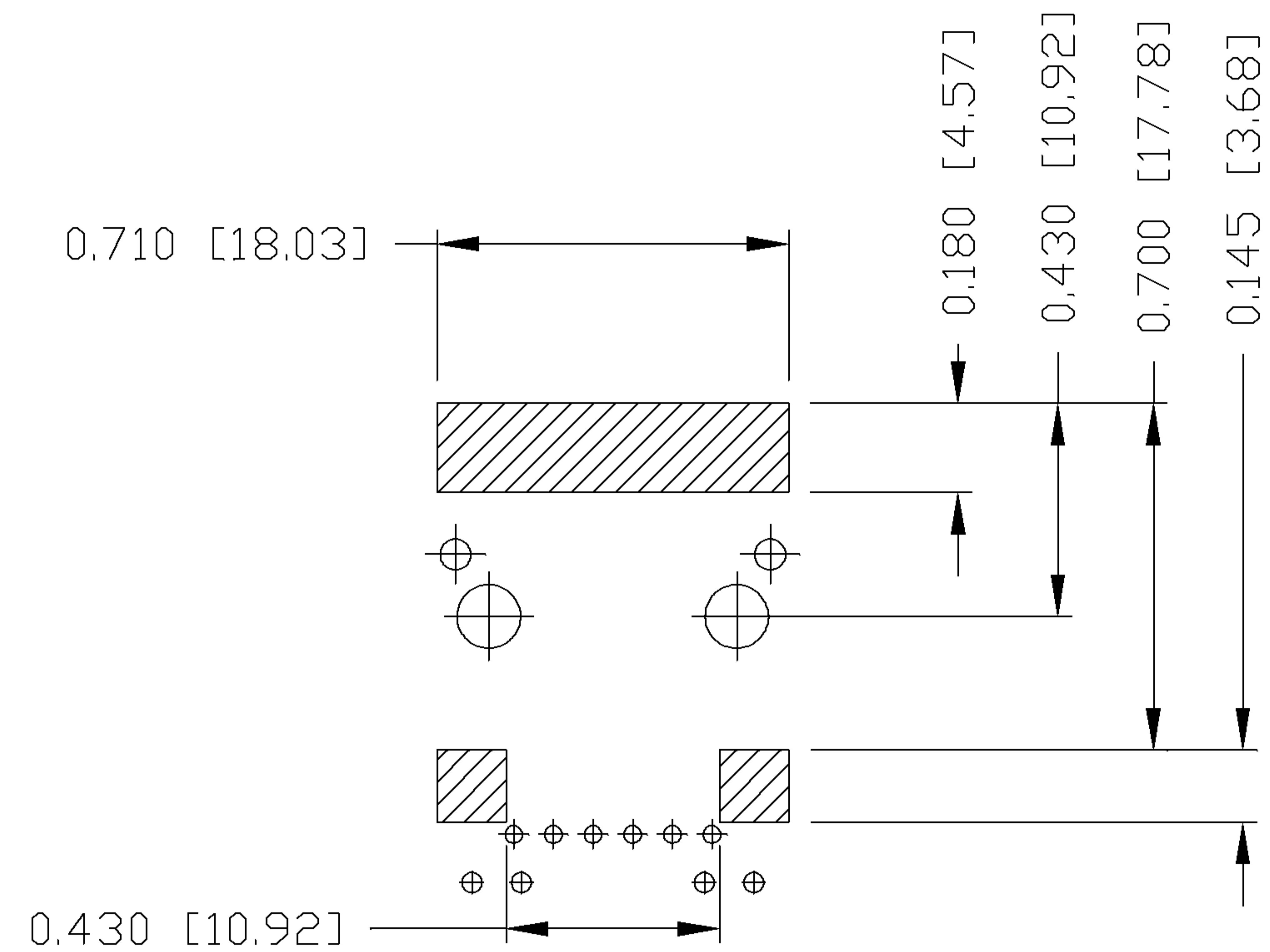
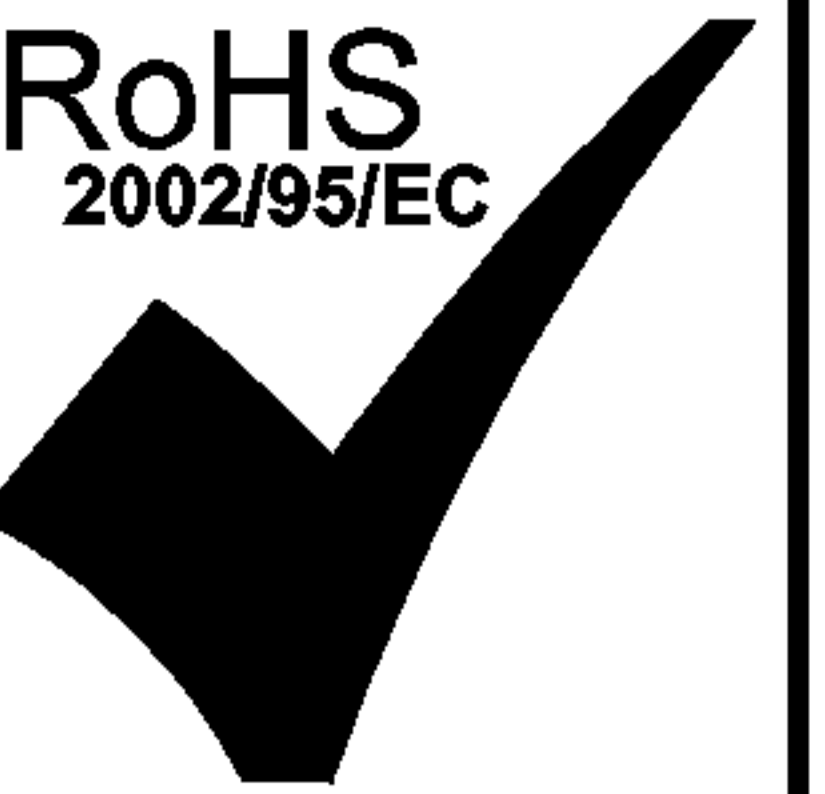
1. MARK PART WITH MFG LOGO, MFG NAME, PART NUMBER, AND DATE CODE.

c US UL RECOGNIZED - FILE #E196366 AND E169987.

2. RoHS COMPLIANCE, PER EU DIRECTIVE 2002/95/EC.

ORIGINATED BY CHEN BILL	DATE 02-04-08	TITLE MagJack® (CM Termination)	PART NO. / DRAWING NO. 08B01X1T03-F	STANDARD DIM. TOL. IN INCH .X .XX .XXX	[] METRIC DIM. AS REFERENCE UNIT : INCH [mm] SCALE : N/A 	REV. : B SIZE : A4 PAGE : 3	 COMPONENTS FOR A CONNECTED PLANET
DRAWN BY LIU QIN	DATE 02-04-08	08B0-1X1T-03-F	FILE NAME 08B01X1T03-F_B.DWG	±0.010			

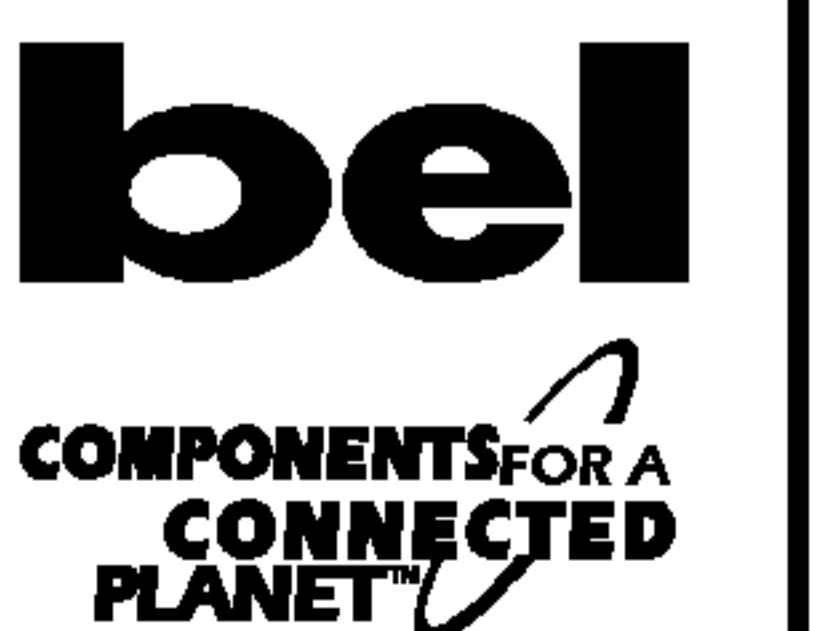
THE INFORMATION CONTAINED HEREIN IS CONSIDERED "PROPRIETARY" TO BEL FUSE INC. AND SHALL NOT BE COPIED, REPRODUCED OR DISCLOSED WITHOUT THE WRITTEN APPROVAL OF BEL FUSE INC.



NOTES:

THE SHADED AREA ON THE CUSTOMER BOARD ARE RECOMMENDED TO BE CLEAR OFF ANY VIA HOLE OR COMPONENT PAD.

ORIGINATED BY CHEN BILL	DATE 02-04-08	TITLE MagJack® (CM Termination)	PART NO. / DRAWING NO. 08B01X1T03-F	STANDARD DIM. TOL. IN INCH	[] METRIC DIM. AS REFERENCE	
DRAWN BY LIU QIN	DATE 02-04-08		FILE NAME 08B01X1T03-F_B.DWG	.X .XX .XXX	UNIT : INCH [mm] SCALE : N/A	REV. : B SIZE : A4 PAGE : 4
				±0.004		

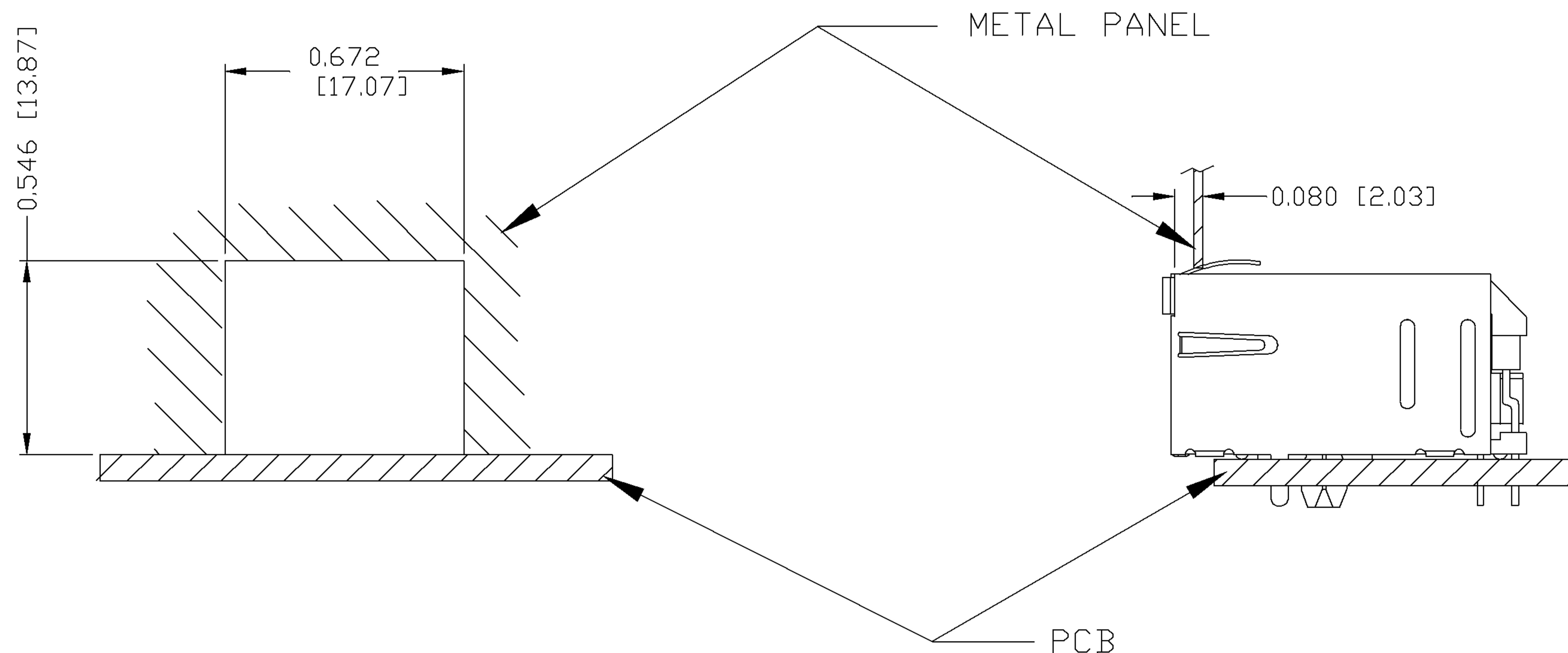


THE INFORMATION CONTAINED HEREIN IS CONSIDERED "PROPRIETARY" TO BEL FUSE INC. AND SHALL NOT BE COPIED, REPRODUCED OR DISCLOSED WITHOUT THE WRITTEN APPROVAL OF BEL FUSE INC.

RoHS
2002/95/EC



SUGGESTED PANEL OPENING



NOTE:

THE DISTANCE OF PANEL INSIDE SURFACE RELATIVE TO FRONT SURFACE OF PART IS ONLY A SUGGESTION. IN CASE THIS DISTANCE IS DIFFERENT, THE REQUIRED PANEL OPENING DIMENSIONS CHANGE ACCORDINGLY.

PACKING INFORMATION

PACKING TRAY : 0200-9999-D4(TOP)

0200-9999-D5(BOTTOM)

PACKING QUANTITY : 60 PCS FINISHED GOODS PER TRAY

11 TRAYS (660 PCS FINISHED GOODS) PER CARTON BOX

NOTE : CARDBOARDS ARE PLACED BETWEEN LAYERS OF PACKING TRAY INSIDE CARTON BOX

(INCLUDE THE UPPERMOST AND LOWERMOST TRAY)

ORIGINATED BY CHEN BILL	DATE 02-04-08	TITLE MagJack® (CM Termination)	PART NO. / DRAWING NO. 08B01X1T03-F		STANDARD DIM. TOL. IN INCH		[] METRIC DIM. AS REFERENCE		 COMPONENTS FOR A CONNECTED PLANET
			FILE NAME 08B01X1T03-F_B.DWG		.X		UNIT : INCH [mm]	REV. : B	
DRAWN BY LIU QIN	DATE 02-04-08			.XX		SCALE : N/A	SIZE : A4		
				.XXX	±0.004		PAGE : 5		

Authorized Distribution Brand :



Website :

Welcome to visit www.ameya360.com

Contact Us :

> Address :
401 Building No.5, JiuGe Business Center, Lane 2301, Yishan Rd
Minhang District, Shanghai , China

> Sales :
Direct +86 (21) 6401-6692
Email amall@ameya360.com
QQ 800077892
Skype ameyasales1 ameyasales2

> Customer Service :
Email service@ameya360.com

> Partnership :
Tel +86 (21) 64016692-8333
Email mkt@ameya360.com