
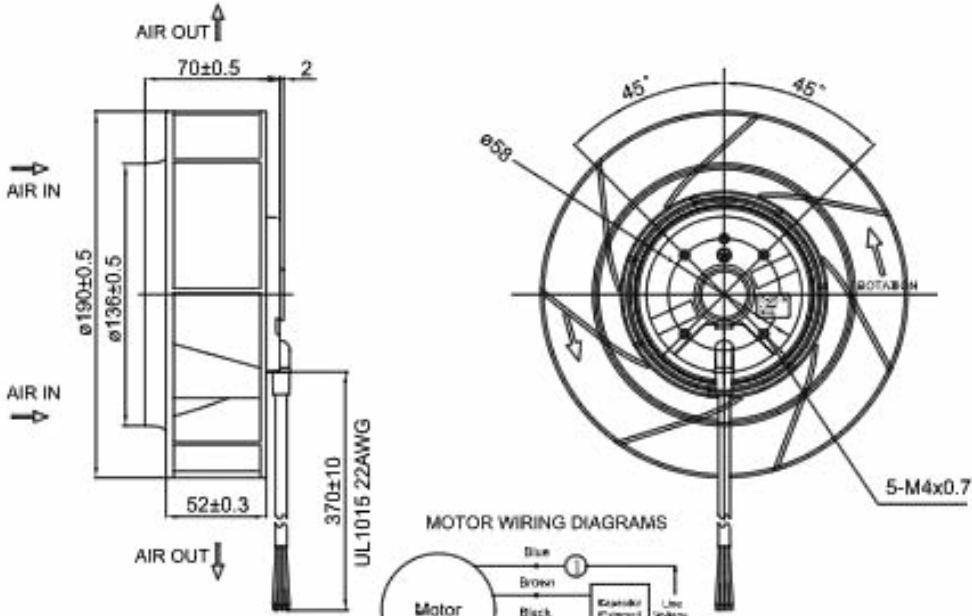


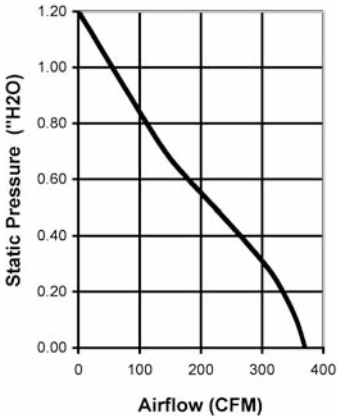
OAB190 Series



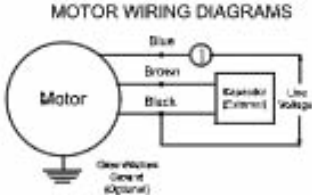
Motorized Impeller
190 x 70mm (7.5" x 2.8")







Accessories
Duct ring DR190A



Part Number	OAB190-11-1	OAB190-22-1	Frame	Diecast Aluminum
Nominal Voltage	120VAC	230VAC	Impeller	UL94V-O Thermoplastic
Voltage Range	100 ~ 125VAC	200 ~ 240VAC	Connection	2x Lead wires
Nominal Current	0.54A	0.30A	Motor	AC, Shaded Pole, thermally protected. CAPACITOR INCLUDED
Locked Current	0.91A	0.45A		
Rated Power	65W	72W	Bearing System	Dual ball bearing
Rated Speed (RPM)	2700	2700	Insulation Resistance	>100M ohm between leadwire and frame (500VDC)
Airflow (CFM)	370	370		
Noise Level (dB)	63	63	Dielectric Strength	1500VAC for 1 minute
Max. Static Pressure	1.2" H ₂ O	1.2" H ₂ O	Temperature Range	-40C ~ +60C
Bearing System	Sealed Dual Ball	Sealed Dual Ball	Life (L10)	40,000 hrs (L10, 40C)

AMEYA360

Components Supply Platform

Authorized Distribution Brand :



Website :

Welcome to visit www.ameya360.com

Contact Us :

➤ Address :

401 Building No.5, JiuGe Business Center, Lane 2301, Yishan Rd
Minhang District, Shanghai , China

➤ Sales :

Direct +86 (21) 6401-6692

Email amall@ameya360.com

QQ 800077892

Skype [ameyasales1](#) [ameyasales2](#)

➤ Customer Service :

Email service@ameya360.com

➤ Partnership :

Tel +86 (21) 64016692-8333

Email mkt@ameya360.com