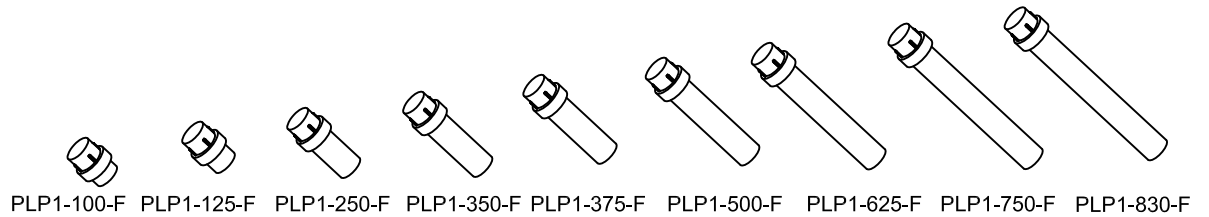
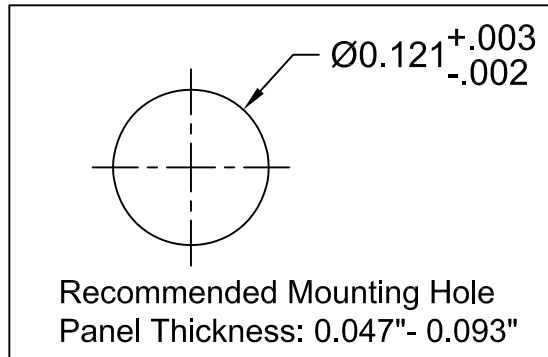
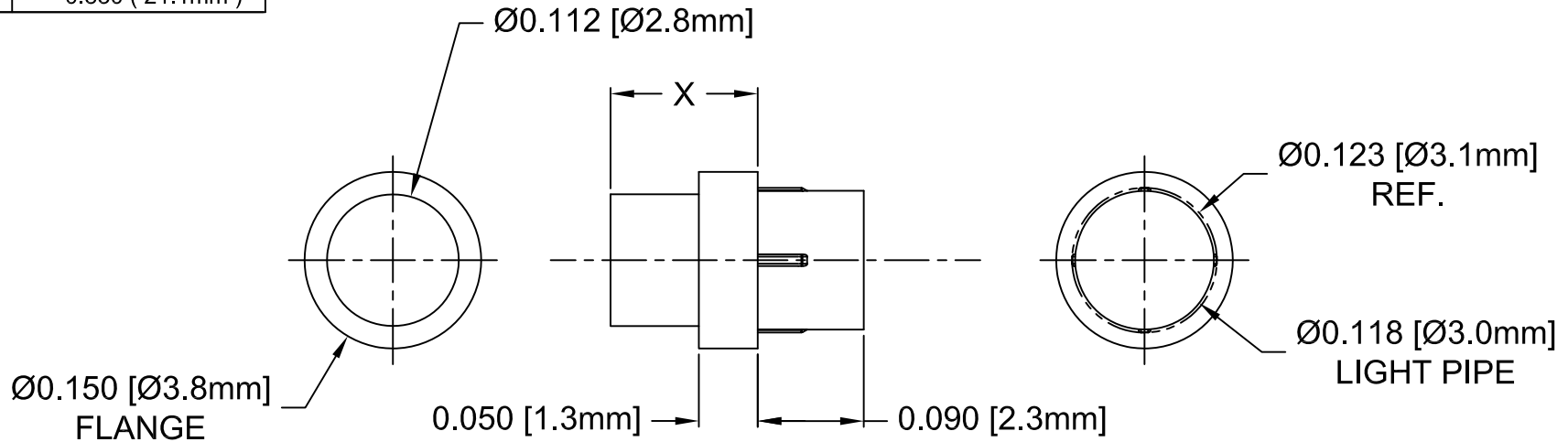


Part No.	X = Body Length
PLP1-100-F	0.100 ( 2.5mm )
PLP1-125-F	0.125 ( 3.2mm )
PLP1-250-F	0.250 ( 6.4mm )
PLP1-350-F	0.350 ( 8.9mm )
PLP1-375-F	0.375 ( 9.5mm )
PLP1-500-F	0.500 ( 12.7mm )
PLP1-625-F	0.625 ( 15.9mm )
PLP1-750-F	0.750 ( 19.0mm )
PLP1-830-F	0.830 ( 21.1mm )

REV.	DESCRIPTION	DATE	APPROVED
<b>K</b>	Updated Rib Dimension	<b>04/10/09</b>	<b>T. Y.</b>
<b>L</b>	Updated General Specifications Note 1.	<b>10/01/12</b>	<b>T. Y.</b>
<b>M</b>	Added Panel Thickness.	<b>05/01/15</b>	<b>J. C.</b>



2. MATERIAL: POLYCARBONATE, 94V-0, CLEAR. BIVAR MATERIAL CODE 47-CR.
1. GENERAL SPECIFICATIONS: BIVAR MOLDED COMPONENT SPECIFICATION BV00-E101 and BSMC-1001.

STANDARD TOLERANCE ( UNLESS OTHERWISE SPECIFIED )		BIVAR®	
DECIMALS	ANGULAR	4 THOMAS, IRVINE, CA. 92618	
.X ± .1	X° ± 1°	TEL: (949) 951-8808	FAX: (949) 951-3974
.XX ± .01		<b>TITLE:</b> PRESS-FIT, PANEL MOUNT, LIGHT PIPE, FLAT TOP	
.XXX ± .005		<b>DESIGNED:</b> Michael Chen	<b>DATE:</b> 01/16/02
		<b>CHECKED:</b> E. M. Muldoon	<b>DATE:</b> 04/26/02
		<b>PART NO:</b> PLP1-XXX-F	<b>REVISION:</b> M
		<b>CAGE CODE :</b> 32559	<b>SHEET #</b> 1 <b>OF</b> 1
CAD GENERATED DOCUMENT, DO NOT MEASURE DRAWING.			

# AMEYA360

## Components Supply Platform

Authorized Distribution Brand :



Website :

Welcome to visit [www.ameya360.com](http://www.ameya360.com)

Contact Us :

➤ Address :

401 Building No.5, JiuGe Business Center, Lane 2301, Yishan Rd  
Minhang District, Shanghai , China

➤ Sales :

Direct +86 (21) 6401-6692

Email [amall@ameya360.com](mailto:amall@ameya360.com)

QQ 800077892

Skype [ameyasales1](#) [ameyasales2](#)

➤ Customer Service :

Email [service@ameya360.com](mailto:service@ameya360.com)

➤ Partnership :

Tel +86 (21) 64016692-8333

Email [mkt@ameya360.com](mailto:mkt@ameya360.com)