

VDSL

Driver Side Protection

Solution Products



2038-110-SM-RPLF



TISP4P015L1NR-S



CD143A-SR70

Design Kit



PN-DESIGNKIT-36

Objective

VDSL provides fast data transmission, usually over a twisted pair of copper wires. This solution protects these ports against surge and power contact threats.

Solution

- 1 GDT: 2038-110-SM-RPLF
- 1 Thyristor: TISP4P015L1NR-S
- 1 Diode Bridge: CD143A-SR70

Compliance

ITU-T Basic and Enhanced
GR-1089-CORE

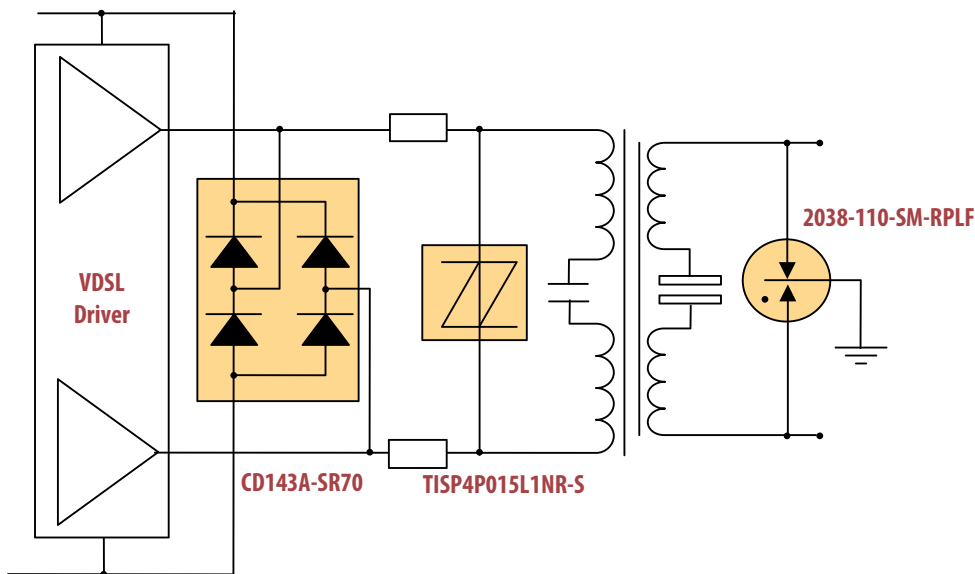
Alternate Recommendations

Other PortNote[®] Solutions:

- VDSL: Line Side Protection
- Variations of this circuit are available depending on specific design constraints; contact your local Bourns technical representative for more information.*

Benefit

This solution provides protection on the driver side without impairing the VDSL 17 MHz signal.



The schematic above illustrates the application protection and does not constitute the complete circuit design. Customers should verify actual device performance in their specific applications.

AMEYA360

Components Supply Platform

Authorized Distribution Brand :



Website :

Welcome to visit www.ameya360.com

Contact Us :

➤ Address :

401 Building No.5, JiuGe Business Center, Lane 2301, Yishan Rd
Minhang District, Shanghai , China

➤ Sales :

Direct +86 (21) 6401-6692

Email amall@ameya360.com

QQ 800077892

Skype [ameyasales1](#) [ameyasales2](#)

➤ Customer Service :

Email service@ameya360.com

➤ Partnership :

Tel +86 (21) 64016692-8333

Email mkt@ameya360.com