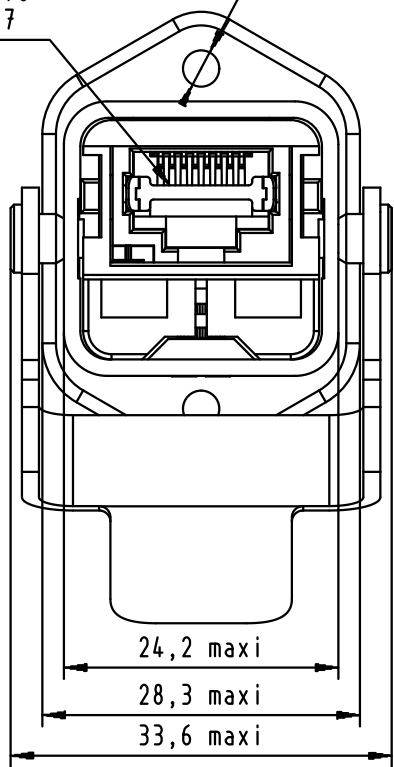
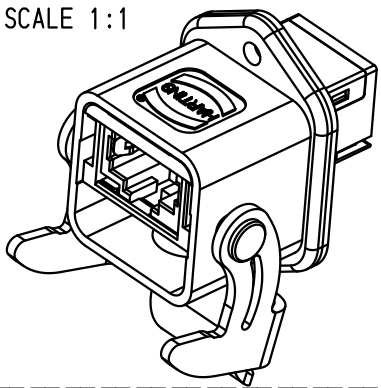


Mating face according to IEC 60603-7

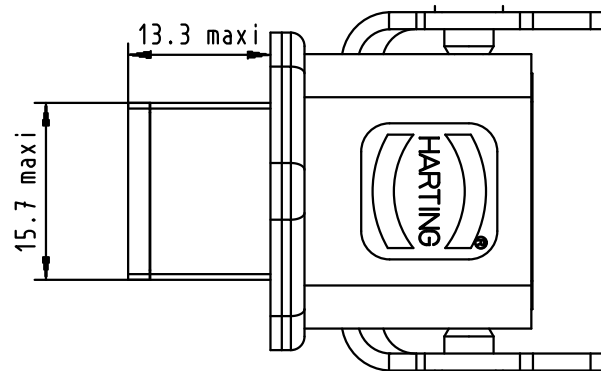
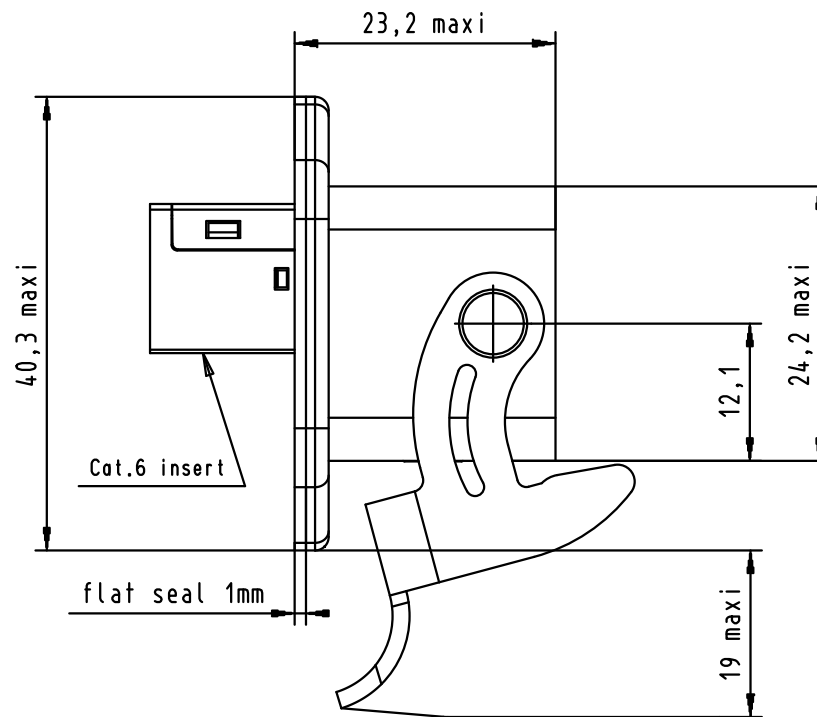
Ø3,4 maxi



SCALE 1:1

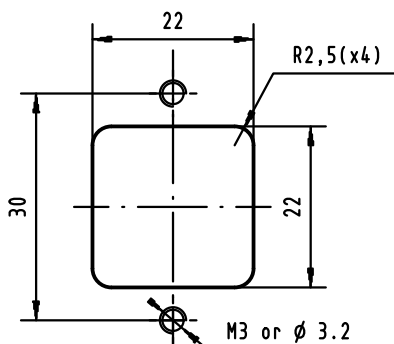


Matable with IEC 60076-3-106 variant 5
 Connector pitches on panel:
 axis X = 36mm
 axis Y = 55mm



recommended panel cutout

scale 1:1



			Dot.	Name	<p>All Dim. in mm Orig. Size DIN A 4</p>	Han 3A RJ45 panel feed through Cat.6 Metal M Version	Maßstab/ Scale	
			Detail.	10/11/10			AB	1,5:1
			Insp.					
			Stand.				Blatt/ Page	
						TB 09 45 215 1561	1/1	
Mod.	10/11/10	AB	HARTING EURL F-95972 Paris			Sub.		
	Dot.	Name						

AMEYA360

Components Supply Platform

Authorized Distribution Brand :



Website :

Welcome to visit www.ameya360.com

Contact Us :

➤ Address :

401 Building No.5, JiuGe Business Center, Lane 2301, Yishan Rd
Minhang District, Shanghai , China

➤ Sales :

Direct +86 (21) 6401-6692

Email amall@ameya360.com

QQ 800077892

Skype [ameyasales1](#) [ameyasales2](#)

➤ Customer Service :

Email service@ameya360.com

➤ Partnership :

Tel +86 (21) 64016692-8333

Email mkt@ameya360.com