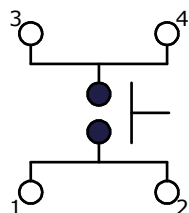
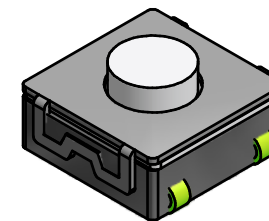
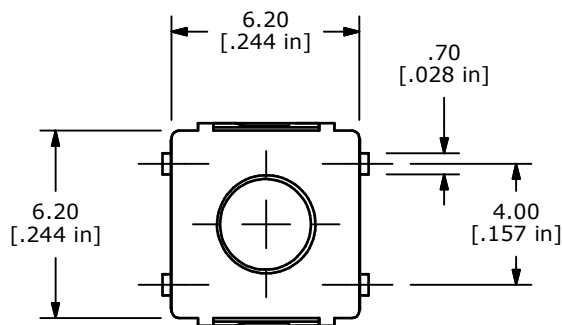


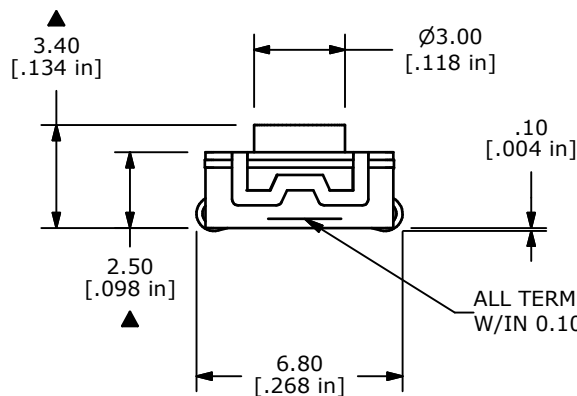
RECOMMENDED P.C.B. LAYOUT



CIRCUIT: SPST

NOTES:

1. ALL DIMENSIONS IN MM [INCH]
2. GENERAL TOLERANCE: $x.x \pm 0.4$
 $x.xx \pm 0.25$
3. TERM. NOS. FOR REF. ONLY
4. RATING: 50mA, @12V DC
- ▲5. OPERATING FORCE: 260 ± 50 gf
6. TRAVEL: $0.25 +0.2/-0.1$ MM
7. CONTACT RESISTANCE: 100 mΩ MAX. E
8. PACKAGING: TAPE AND REEL, 1600 PCS PER REEL
- ▲9. CONTACT MATERIAL: SILVER
10. ▲ DENOTES CRITICAL PARAMETER
11. 2002/95/EC (ROHS) COMPLIANT
12. MECHANICAL/ELECTRICAL LIFE: 100,000 CYCLES
13. OPERATING TEMPERATURE: -20°C TO 70°C E



ALL TERMINALS MUST BE CO-PLANAR
W/IN 0.10 [.004] TOTAL



E	21024	100mΩ WAS 100Ω, ADD TEMP NOTE	2/12/13	EBP
D	16712	REVISED AND REDRAWN INVENTOR	11/29/06	TN
REV	PCR NO	DESCRIPTION	DATE	BY

TITLE TL3304AF260QJ				
SCALE	DATE	DR	DWG	REV
4:1	11/29/2006	TN	P010544	E

THE INFORMATION CONTAINED IN THIS DOCUMENT IS PROPRIETARY TO E-SWITCH AND IS NOT TO BE COPIED OR TRANSFERRED

AMEYA360

Components Supply Platform

Authorized Distribution Brand :



Website :

Welcome to visit www.ameya360.com

Contact Us :

➤ Address :

401 Building No.5, JiuGe Business Center, Lane 2301, Yishan Rd
Minhang District, Shanghai , China

➤ Sales :

Direct +86 (21) 6401-6692

Email amall@ameya360.com

QQ 800077892

Skype [ameyasales1](#) [ameyasales2](#)

➤ Customer Service :

Email service@ameya360.com

➤ Partnership :

Tel +86 (21) 64016692-8333

Email mkt@ameya360.com