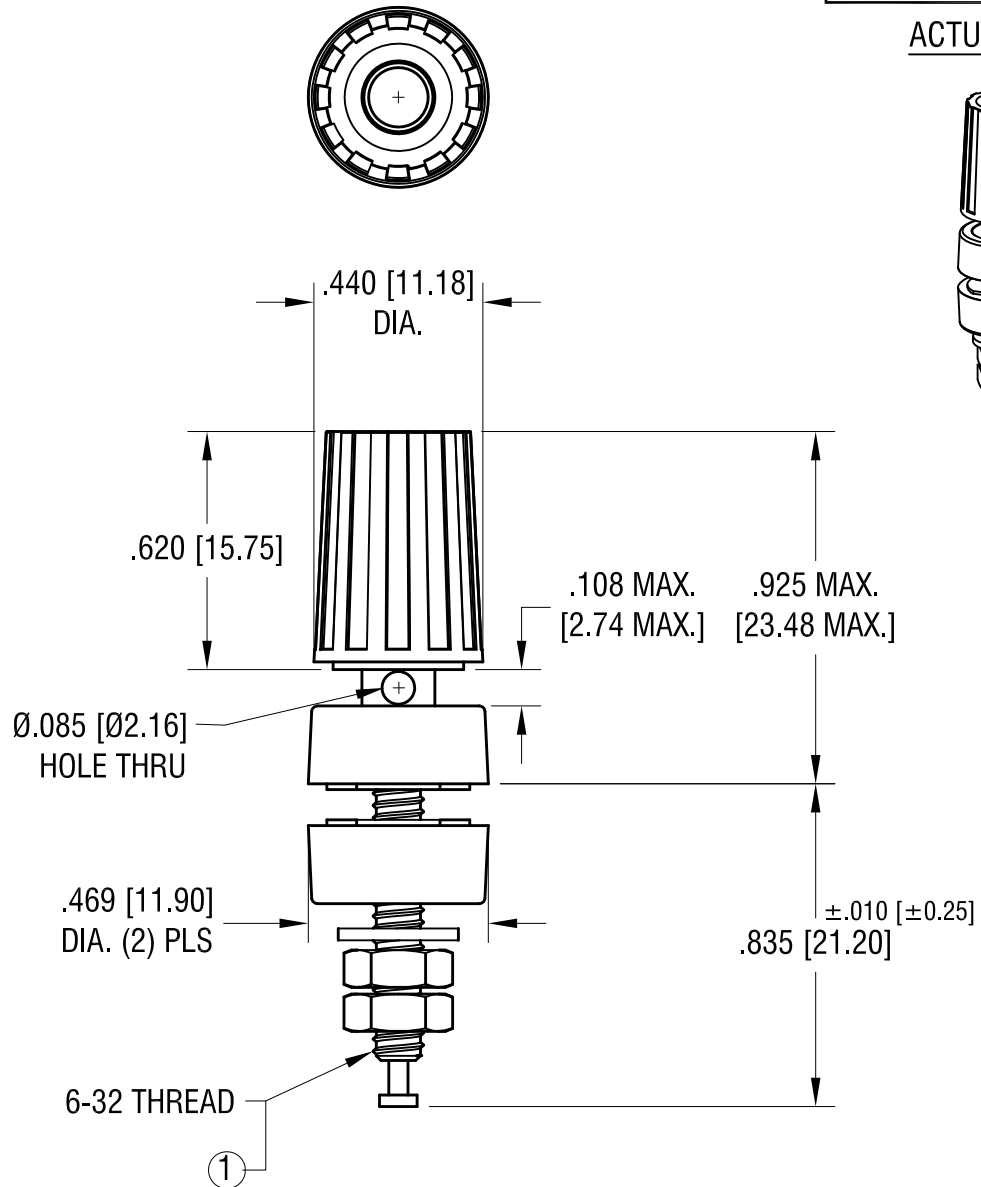


THIS DOCUMENT IS THE PROPERTY OF  
KEYSTONE ELECTRONICS CORP. AND  
SHALL NOT BE REPRODUCED, DISTRIBUTED  
OR USED AS A BASIS FOR MANUFACTURE  
WITHOUT PRIOR WRITTEN PERMISSION  
FROM KEYSTONE ELECTRONICS CORP.

ACTUAL SIZE



**NOTES:**

1. STUD : MAT'L - BRASS, GOLD, OVER NICKEL PLATE
2. INSULATOR: MAT'L - NYLON

P/N	TH'D	COLOR
7012	6-32	RED
7013	6-32	BLACK

9.10.12	ECN 12-146 REDRAWN IN CAD	B
10.01.88	① WAS 8-32	A
DATE	DESCRIPTION	REV.

<b>KEYSTONE ELECTRONICS CORP.</b>			
www.keyelco.com • ASTORIA, N.Y. 11105-2017 • Tel (718) 956-8900			
PART NAME		BINDING POST	
MATERIAL		AS NOTED	
FINISH		AS NOTED	
TOLERANCES		DRN BY LN	
DECIMAL ± .005 [ ± 0.13 ]		APP'D LN	
ANGULAR ± 1°		DATE 1.3.83	
UNLESS OTHERWISE SPECIFIED		SCALE 2X	
CODE	C/M	DWG NO.	
		<b>7012 - 7013</b>	

# AMEYA360

## Components Supply Platform

Authorized Distribution Brand :



Website :

Welcome to visit [www.ameya360.com](http://www.ameya360.com)

Contact Us :

➤ Address :

401 Building No.5, JiuGe Business Center, Lane 2301, Yishan Rd  
Minhang District, Shanghai , China

➤ Sales :

Direct +86 (21) 6401-6692

Email [amall@ameya360.com](mailto:amall@ameya360.com)

QQ 800077892

Skype [ameyasales1](#) [ameyasales2](#)

➤ Customer Service :

Email [service@ameya360.com](mailto:service@ameya360.com)

➤ Partnership :

Tel +86 (21) 64016692-8333

Email [mkt@ameya360.com](mailto:mkt@ameya360.com)