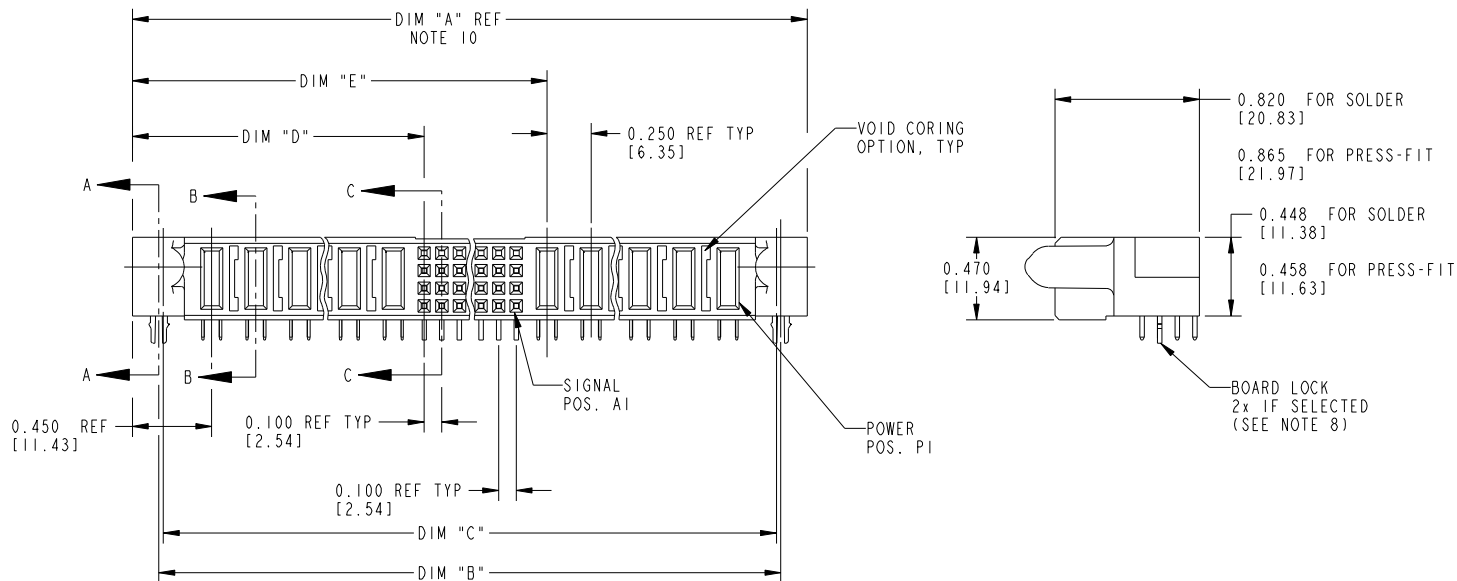
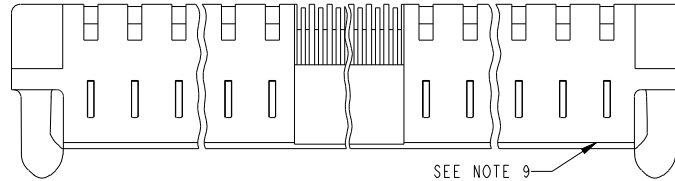


Tous droits strictement réservés. Reproduction ou communication à des tiers interdite, sous quelque forme que ce soit sans autorisation écrite du propriétaire. Propriété de c FCI. Droits de reproduction FCI.



All rights strictly reserved. Reproduction or issue to third parties in any form whatever is not permitted without written authority from the proprietor. Property of FCI. Copyright FCI.

PRODUCT NUMBER
51760- ABBCCDDEF _ Note: ③
SEE NOTE 1



mat'l code SEE NOTE 2				tolerances unless otherwise specified		CUSTOMER COPY		www.fciconnect.com	
ltr	ecn no.	dr	date	linear	.XX±.01/.X±.3	projection		title	
K	DG05-0124	SJ	06/03/05		.XXX±.005/.XX±.13			RIGHT ANGLE RECEPTACLE w/GUIDE PIN	
L	DG05-0485	GuoJM	11/21/05		.XXX±.0020/.XXX±.051			POWER / SIGNAL / POWER	
M	DG07-0498	JW	05/23/08	angles	0°±2°	INCH / MM		product family PwrBlade code 213	
				dr	D. BOGLE 05-18-99	scale 1:1		size dwg no 51760 SHEET 1 OF 3	
				enr	J. BROWN 05-18-99				
				chr	J. BROWN 05-18-99				
				appd	J. BROWN 05-18-99				
sheet index	revision sheet	M	M	M				cage code 22526	
		1	2	3					

THIS FILE WAS ORIGINALLY CREATED IN THE PRO ENGINEER ENVIRONMENT AND ANY FUTURE REVISIONS TO THIS FILE MUST BE MADE IN THE PRO ENGINEER ENVIRONMENT

form no. 7530-001-103

Tous droits strictement réservés. Reproduction ou communication à des tiers interdite, sous quelque forme que ce soit sans autorisation écrite du propriétaire. Propriété de c.FCI. Droits de reproduction FCI.



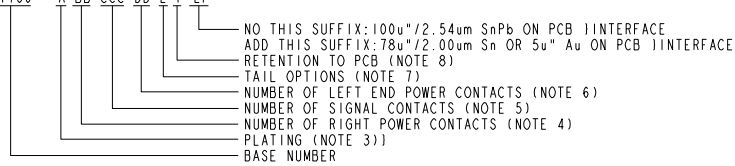
All rights strictly reserved. Reproduction or issue to third parties in any form whatever is not permitted without written authority from the proprietor. Property of FCI. Copyright FCI.

PRODUCT NUMBER
51760-ABBCCDDEF-- Note: ③
SEE NOTE 1

DIM	LENGTH FORMULAS (SEE NOTE 10)
DIM "A"	.250 [6.35] x DD + .100 [2.54] x (CCC/4) + .250 [6.35] x BB + .650 [16.51] (NOTE 10)
DIM "B"	.250 [6.35] x DD + .100 [2.54] x (CCC/4) + .250 [6.35] x BB + .350 [8.89]
DIM "C"	.250 [6.35] x DD + .100 [2.54] x (CCC/4) + .250 [6.35] x BB + .300 [7.62]
DIM "D"	.250 [6.35] x DD + .375 [9.35]
DIM "E"	.250 [6.35] x DD + .100 [2.54] x (CCC/4) + .450 [11.43]
DIM "F"	.250 [6.35] x DD + .100 [2.54] x (CCC/4) + .250 [6.35] x BB + .680 [17.27]
DIM "G"	.250 [6.35] x DD + .225 [5.72]
DIM "H"	.250 [6.35] x DD + .100 [2.54] x (CCC/4) + .250 [6.35]

CONNECTOR NOTES

① PRODUCT NUMBER CODE:  
51760 - A BB CCC DD E F LF



- ② HOUSING MATERIAL: GLASS FILLED V-O HIGH TEMP THERMO PLASTIC.  
SIGNAL CONTACT MATERIAL: COPPER ALLOY  
POWER CONTACT MATERIAL: COPPER ALLOY
- ③ PLATING OPTION:  
A: SEE IN PRINT 10064183 FOR PLATING SPEC OF 51760-ABBCCDDEF; 51760-ABBCCDDEFLF
- ④ RIGHT END POWER CONTACTS, 01 TO 20 AVAILABLE.  
MAXIMUM OF 20 POWER CONTACTS PER CONNECTOR
- ⑤ SIGNAL CONTACTS, 004 TO 148 AVAILABLE FOR SOLDER TO BOARD.  
020 TO 148 AVAILABLE FOR PRESS-FIT TO BOARD.
- ⑥ LEFT END POWER CONTACTS, 01 TO 20 AVAILABLE.  
MAXIMUM OF 20 POWER CONTACTS PER CONNECTOR
- ⑦ TAIL OPTIONS:  
A = .135 ± .010 [3.43 ± .25] SOLDER TO BOARD  
B = .090 + .005 / -.010 [2.29 + 0.13 / -.025] SOLDER TO BOARD  
C = .154 ± .010 [3.91 ± 0.25] PRESS-FIT TO BOARD
- ⑧ RETENTION TO PCB OPTIONS:  
A = BOARD LOCK (REQUIRES .098 + .002 / -.001 [2.49 + 0.05 / -0.03] THRU HOLE IN PCB MOUNTING FOOT HEIGHT: .220 [5.59] \*\*NOT AVAILABLE FOR PRESS-FIT\*\*

B = .150 [3.81] THRU HOLE (REQUIRES .158 ± 0.003 [4.01 ± 0.08] THRU HOLE IN PCB).  
MOUNTING FOOT HEIGHT: .160 [4.06]

- ⑨ \*\*ALWAYS AVAILABLE FOR PRESS-FIT\*\*  
MANUFACTURE'S NAME, P/N, AND DATE CODE TO APPEAR ON THIS SURFACE.
- ⑩ THE MAXIMUM OVERALL LENGTH (DIM A) OF A PART IS 8.00 [203.2]
- 11. PRODUCT SPECIFICATION GS-12-149
- 12. APPLICATION SPECIFICATION BUS-20-067.
- 13. FOR PRESS-FIT CONNECTORS USE FCI CAM TOOL 430140-XXX TO APPLY CONNECTOR TO PCB.

PCB NOTES:

- 14. ALL DIMENSIONS ARE BASIC UNLESS OTHERWISE SPECIFIED.
- 15. ALL THROUGH HOLES ARE LOCATED WITH A TRUE POSITION OF .004 [0.10]
- 16. ALL HOLE DIAMETERS ARE FINISHED HOLE SIZE.
- ⑬ ∅0.0453 ± .001 [1.151 ± 0.02] DRILLED HOLES PLATED WITH 0.0003 [0.007] MIN SnPb OVER 0.001 [1.03] TO .003 [0.08] PLATING TO ACHIEVE A .040 ± .003 [1.02 ± 0.08] HOLE.
- 18. THE VOID CORING IN BETWEEN POWER MODULES, SIGNAL MODULES AND END MODULES ARE OPTIONAL AND THE SHAPE MAY BE DIFFERENT FOR OPTIMIZING THE MOLDING PROCESS. THE VOID CORING WILL NOT EFFECT TO PRODUCT FUNCTION.
- 19. A SYMBOL WILL BE NEXT TO ANY DIMENSION, VIEW, OR NOTE WHICH HAS BEEN MODIFIED WITH THE CURRENT DRAWING REVISION.

THIS FILE WAS ORIGINALLY CREATED IN THE PRO ENGINEER ENVIRONMENT AND ANY FUTURE REVISIONS TO THIS FILE MUST BE MADE IN THE PRO ENGINEER ENVIRONMENT

mat'l code		tolerances unless otherwise specified		CUSTOMER COPY		FCI www.fciconnect.com	
lfr	ecn no.	dr	date	linear	.XX±.01/.X±.3	projection	title
M					.XXX±.005/.XX±.13	⊕	RIGHT ANGLE RECEPTACLE w/GUIDE PIN POWER / SIGNAL / POWER
				angles	.XXX±.0020/.XXX±.051	⊖	
				dr	0° ± 2°	INCH / MM	product family
				enr	D. BOGLE 05-18-99	1:2	PwrBlade
				chr	J. BROWN 05-18-99	A	code
				appd	J. BROWN 05-18-99		213
sheet index	revision sheet						size
							dwg no
							51760
							SHEET 2 OF 3

form no. 7530-001-103

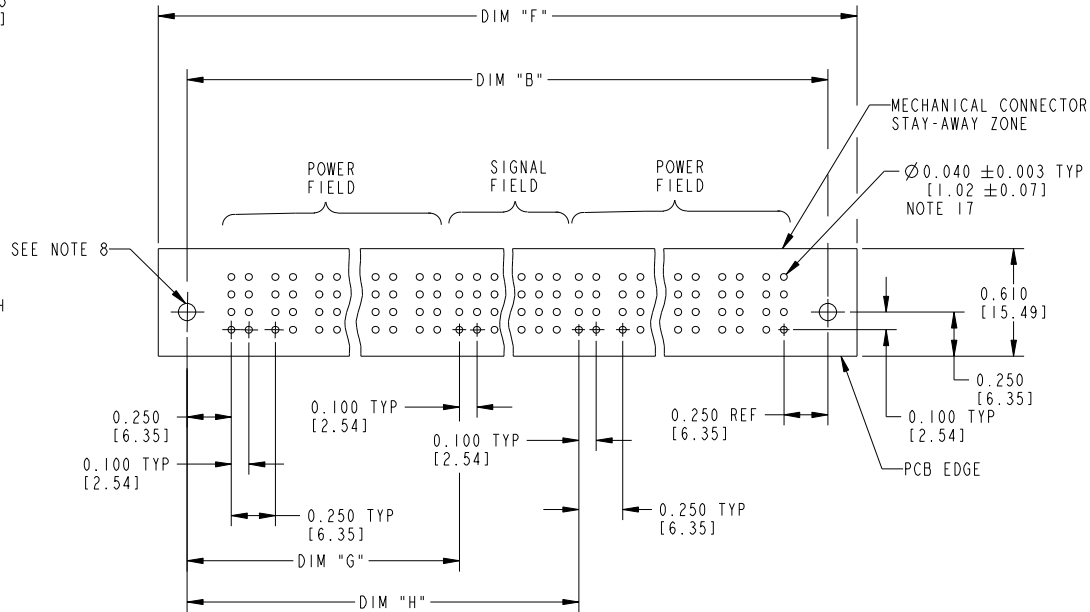
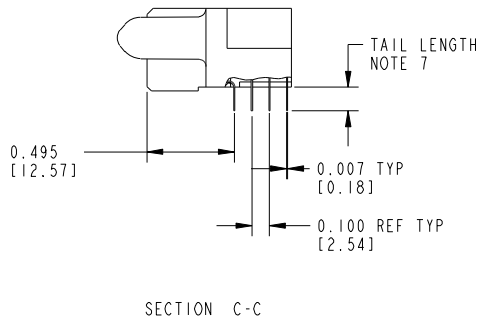
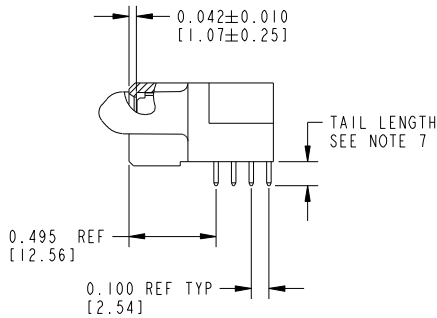
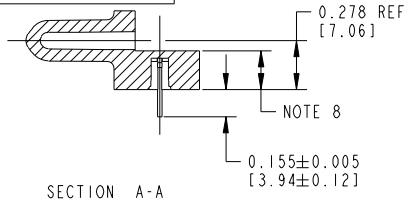
cage code 22526

Tous droits strictement réservés. Reproduction ou communication à des tiers interdite sous quelque forme que ce soit sans autorisation écrite du propriétaire. Propriété de c.FCI. Droits de reproduction FCI.



All rights strictly reserved. Reproduction or issue to third parties in any form whatever is not permitted without written authority from the proprietor. Property of FCI. Copyright FCI.

PRODUCT NUMBER  
51760 - ABBCCDDEF\_\_  
Note: ③  
SEE NOTE 1



mat'l code				tolerances unless otherwise specified		CUSTOMER COPY		www.fciconnect.com	
ltr	ecn no.	dr	date	linear	.XX±.01/.X±.3	projection		title	
M					.XXX±.005/.XX±.13			RIGHT ANGLE RECEPTACLE w/GUIDE PIN POWER / SIGNAL / POWER	
				angles	.XXX±.0020/.XXX±.051	INCH / MM		product family	
				dr	0°±2°	scale		PwrBlade	
				enr	D. BOGLE 05-18-99	1:1		code	
				chr	J. BROWN 05-18-99	A		213	
				appd	J. BROWN 05-18-99	size		dwg no	
sheet index		revision sheet				51760		3 OF 3	
						cage code		22526	

form no. 7530-001-103

cage code 22526

# AMEYA360

## Components Supply Platform

### Authorized Distribution Brand :



### Website :

Welcome to visit [www.ameya360.com](http://www.ameya360.com)

### Contact Us :

#### ➤ Address :

401 Building No.5, JiuGe Business Center, Lane 2301, Yishan Rd  
Minhang District, Shanghai , China

#### ➤ Sales :

Direct +86 (21) 6401-6692

Email [amall@ameya360.com](mailto:amall@ameya360.com)

QQ 800077892

Skype [ameyasales1](#) [ameyasales2](#)

#### ➤ Customer Service :

Email [service@ameya360.com](mailto:service@ameya360.com)

#### ➤ Partnership :

Tel +86 (21) 64016692-8333

Email [mkt@ameya360.com](mailto:mkt@ameya360.com)