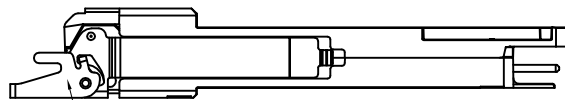
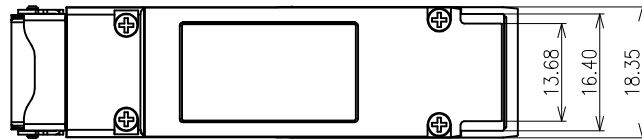
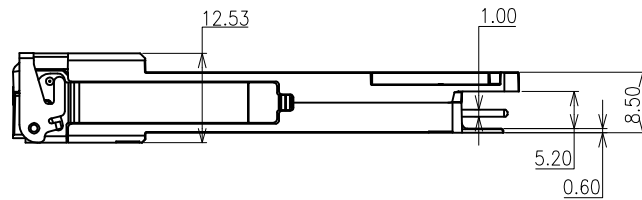
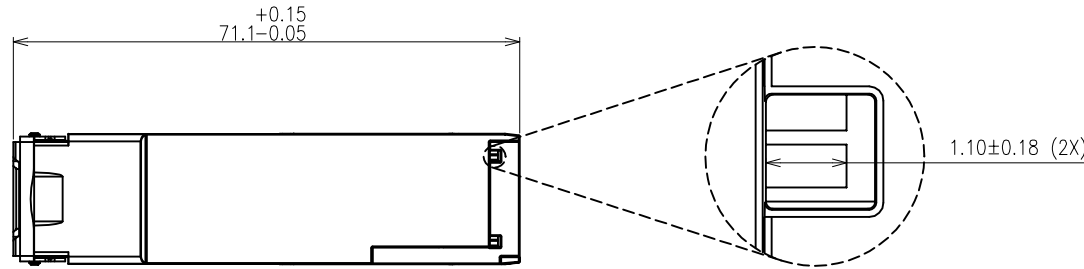


3M™ Active Optical Pluggable Transceiver For QSFP+ Applications  
 Visit <http://www.3Mconnectors.com>

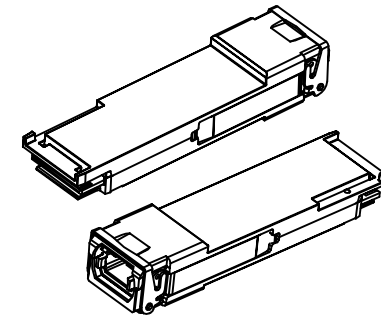
NOTES:

1. RoHS COMPLIANT. SEE REGULATORY INFORMATION APPENDIX IN "RoHS COMPLIANCE" SECTION AT [www.3Mconnectors.com](http://www.3Mconnectors.com) (E1 & C1 APPLY)
2. MEET SPECIFICATION SFF-8436  
 UNLESS OTHERWISE NOTED, REFERENCES TO INDUSTRY SPECIFICATIONS ARE INTENDED TO INDICATE SUBSTANTIAL COMPLIANCE TO THE MATERIAL ELEMENTS OF THE SPECIFICATION. SUCH REFERENCES SHOULD NOT BE CONSTRUED AS A GUARANTEE OF COMPLIANCE TO ALL REQUIREMENTS IN A GIVEN SPECIFICATION."
3. MATERIAL:  
 HOUSEING: ZINC ALLOY  
 FINISHING: NICKEL PLATING
4. ORDERING INFORMATION:

6B=Pluggable Transceiver  
 2=QSFP+  
 A=10G  
 04=4 channels  
 1=850nm optical wavelength  
 2=Multi Mode  
 A=MPO Optical Interface  
 0=Placeholder



FREE ROTATION 90° AFTER ASSEMBLY



DESIGN REFERENCE		NEXT ASSEMBLY		A 0045111	MAY 17, 2013		OKC	YL
DISTRIBUTION CODES		DRFT OH KIM CHYE		DATE MAY 17, 2013	MFG DATE		DRFT	CHKD
DIVISION ESD		DIVISION CODE		DRW QIAO YUN LONG	DATE MAY 17, 2013	APPR SAUJIT BANDHU	DATE MAY 17, 2013	
DO NOT SCALE DRAWING		SCALE 2/1		TOLERANCES EXCEPT AS NOTED		© 3M COPYRIGHT 2013 This document and the information it contains are 3M property and may not be reproduced or further distributed without 3M permission, or used or disclosed other than for 3M authorized purposes. All rights reserved.		
THIRD ANGLE PROJECTION		INTERPRET PER ASME Y14.5 - 1994		MILLIMETERS		TITLE		
MAX SURFACE ROUGHNESS 125		<input type="checkbox"/> ALL SURFACES <input checked="" type="checkbox"/> MARKED ONLY		<input type="checkbox"/> .0 <input type="checkbox"/> .00 <input type="checkbox"/> .000 <input type="checkbox"/> .0000		QSFP+ OPTICAL 4x10Gbps PLUGGABLE TRANSCEIVER		
<input checked="" type="checkbox"/> ANGLES ±1°		<input type="checkbox"/> .0 ±.20 <input type="checkbox"/> .00 ±.10 <input type="checkbox"/> .000 ±.05		CAGE NUMBER		DRAWING NO.		REV.
				C 78-5100-2570-9		A		
				MODEL		DET. LISTS		<input type="checkbox"/> YES <input checked="" type="checkbox"/> NO
						SHT 1 OF 1		

78-5100-2570-9

A

A

# AMEYA360

## Components Supply Platform

### Authorized Distribution Brand :



### Website :

Welcome to visit [www.ameya360.com](http://www.ameya360.com)

### Contact Us :

#### ➤ Address :

401 Building No.5, JiuGe Business Center, Lane 2301, Yishan Rd  
Minhang District, Shanghai , China

#### ➤ Sales :

Direct +86 (21) 6401-6692

Email [amall@ameya360.com](mailto:amall@ameya360.com)

QQ 800077892

Skype [ameyasales1](#) [ameyasales2](#)

#### ➤ Customer Service :

Email [service@ameya360.com](mailto:service@ameya360.com)

#### ➤ Partnership :

Tel +86 (21) 64016692-8333

Email [mkt@ameya360.com](mailto:mkt@ameya360.com)