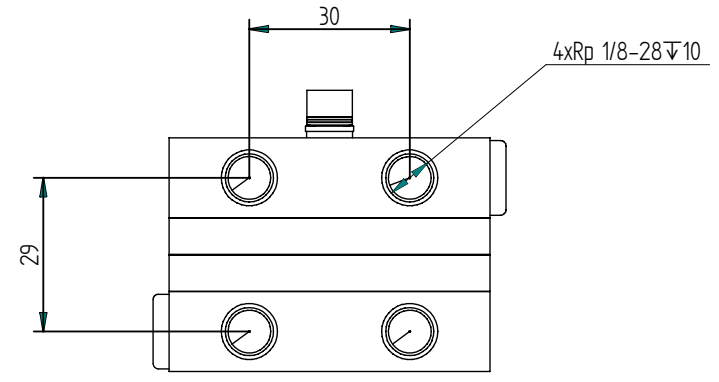


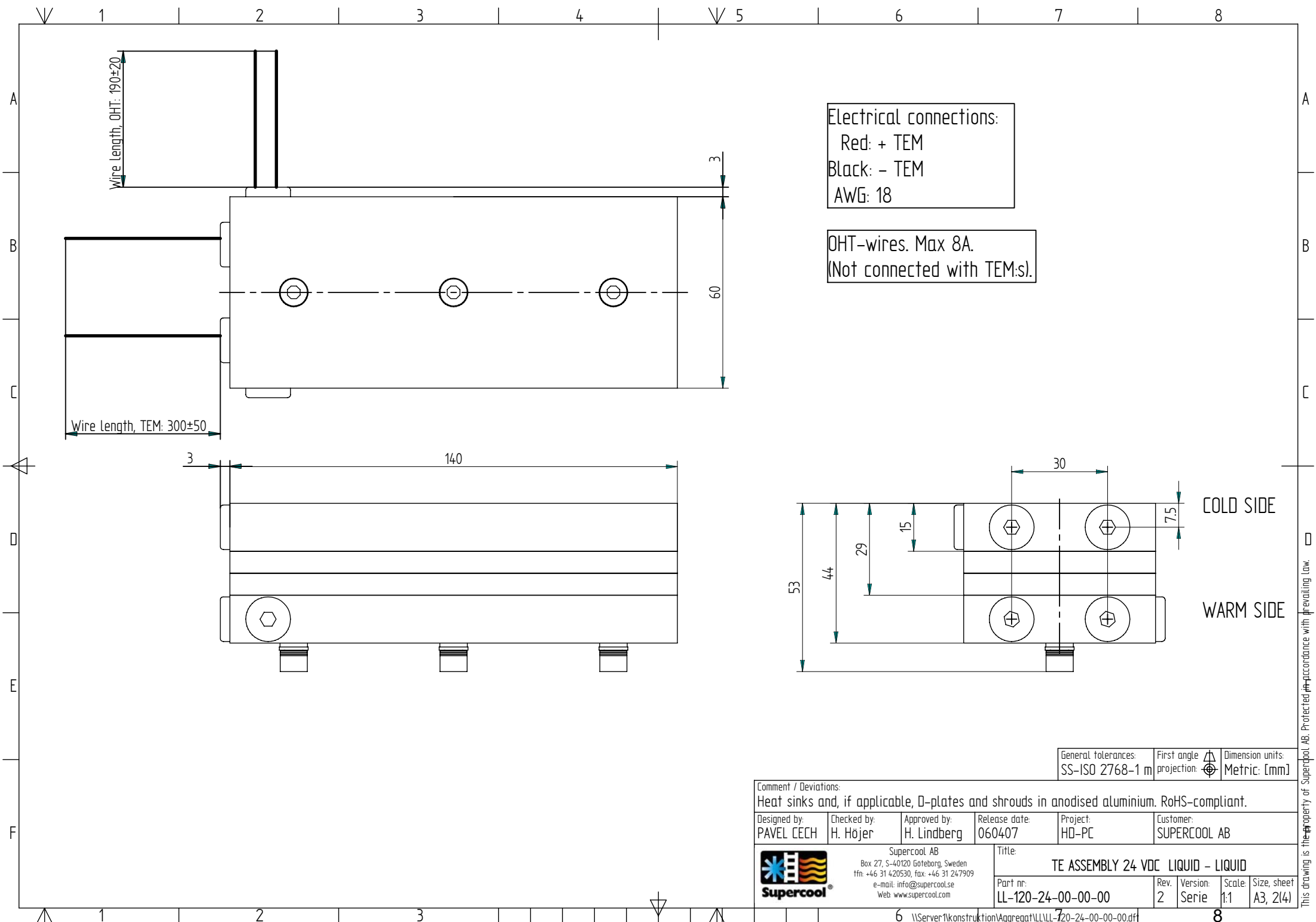
Specification: (Ta=32°C)	Code:	Description:
Heat transfer, cold side:	L	Liquid
Heat transfer, warm side:	L	Liquid
Cascade:	-	
Cooling power: [W]	120	136 W at dT=0°C. Tolerance: ±10%.
Voltage, nominal: [VDC]	24	24 VDC.
TEM Voltage: [VDC]		Nominal: 24 VDC, Max: 30 VDC.
TEM Current: [A]		Nominal: 4.2 A, Initial: 4.7 A. All at dT=0°C. Tolerance: ±10%.
Fans, cold side:	0	None.
Fans, warm side:	0	None.
Temperature controller, sensor:	0	None.
Temperature control settings, trim options:	0	-
Additional controller information:		
Temperature control position:	0	-
Options:	0	-
Weight:		0.81 kg
Overheating thermostat:		75°C ±5°C on hot side heat sink surface. Not wired in serie with TEMs. Use it to control a relay.
Operating temperature:		Max. 62°C at nominal voltage.
TE-Module(s) temperature specification:		Max. surface temperature: 80°C.
Enclosed:		Turbotators fitted in liquid channels.



For overheating protection the cooler is equipped with a bimetal thermostat. The maximum rating for the thermostat is 8 A DC. For systems with 8 A or less the thermostat can be connected directly in series with the ThermoElectric Modules (TEM:S). Otherwise connect the TEM:S to the power source through a relay of suitable rating which state is controlled with the bimetal thermostat.

General tolerances: SS-ISO 2768-1 m	First angle projection:	Dimension units: Metric: [mm]
--	-------------------------	----------------------------------

Comment / Deviations: Heat sinks and, if applicable, D-plates and shrouds in anodised aluminium. RoHS-compliant.					
Designed by: PAVEL CECH	Checked by: H. Höjer	Approved by: H. Lindberg	Release date: 060407	Project: HD-PC	Customer: SUPERCool AB
			Title: TE ASSEMBLY 24 VDC LIQUID - LIQUID		
Supercool AB Box 27, S-40120 Göteborg, Sweden tfn: +46 31 420530, fax: +46 31 247909 e-mail: info@supercool.se Web: www.supercool.com			Part nr: LL-120-24-00-00-00	Rev. 2 Version: Serie	Scale: 1:1 Size, sheet: A3, 1/4



Electrical connections:
 Red: + TEM
 Black: - TEM
 AWG: 18

OHT-wires. Max 8A.
 (Not connected with TEM:s).

General tolerances: SS-ISO 2768-1 m
 First angle projection:
 Dimension units: Metric: [mm]

Comment / Deviations: Heat sinks and, if applicable, D-plates and shrouds in anodised aluminium. RoHS-compliant.					
Designed by: PAVEL CECH	Checked by: H. Höjer	Approved by: H. Lindberg	Release date: 060407	Project: HD-PC	Customer: SUPERCool AB
 Supercool AB Box 27, S-40120 Göteborg, Sweden tfn: +46 31 420530, fax: +46 31 247909 e-mail: info@supercool.se Web: www.supercool.com			Title: TE ASSEMBLY 24 VDC LIQUID - LIQUID		
			Part nr: LL-120-24-00-00-00	Rev. 2	Version: Serie

AMEYA360

Components Supply Platform

Authorized Distribution Brand :



Website :

Welcome to visit www.ameya360.com

Contact Us :

➤ Address :

401 Building No.5, JiuGe Business Center, Lane 2301, Yishan Rd
Minhang District, Shanghai , China

➤ Sales :

Direct +86 (21) 6401-6692

Email amall@ameya360.com

QQ 800077892

Skype [ameyasales1](#) [ameyasales2](#)

➤ Customer Service :

Email service@ameya360.com

➤ Partnership :

Tel +86 (21) 64016692-8333

Email mkt@ameya360.com