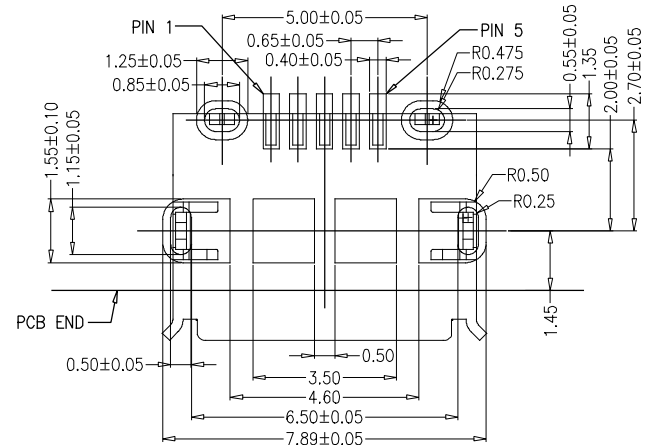
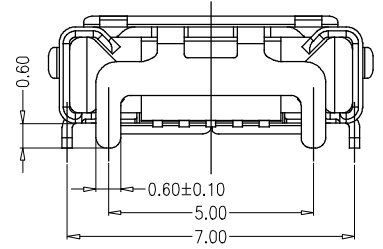
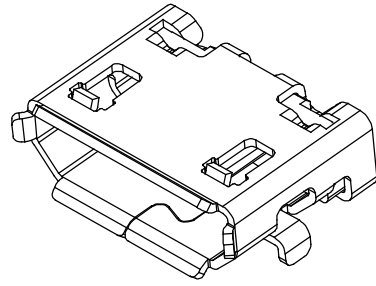
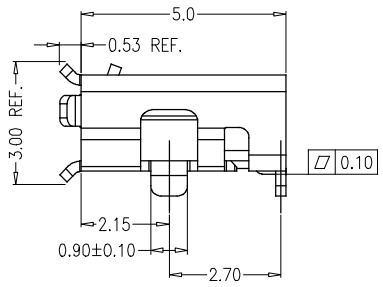
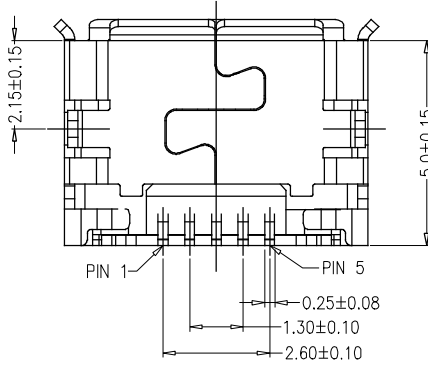
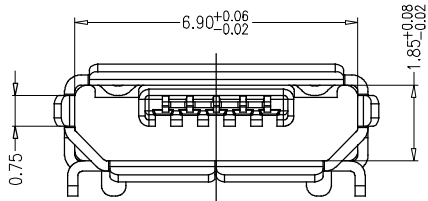
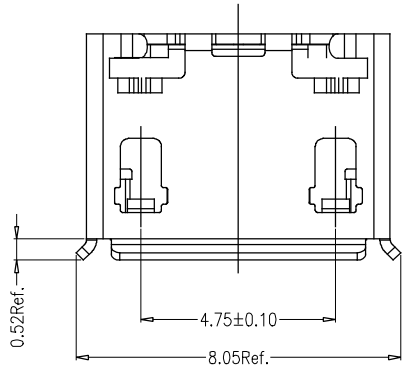




PART NUMBER
10118194-0001LF



- NOTE-
- Product meets USB 2.0 requirement.
 - Coplanarity:
Solder tails: 0.08mm maximum.
Metal tabs: 0.10mm maximum.
 - The "LF" is meant lead free and can withstand expose to 260° C peak temperature for 10 seconds in IR reflow process.

Item	Title	Material	Finish
1	Shell	Stainless Steel	Matte Tin 80u"
2	Terminal	Copper Alloy	Mating Area: 30u" Gold Solder Tails: G/F
3	InsertMolding	Thermoplastic	UL94V-0, Black

mat'l. code				tolerances unless otherwise specified		CUSTOMER COPY		FCI www.fciconnect.com	
ltr	ecn no	dr	date	linear	.X ± 0.38		projection	title MICRO USB B TYPE RECEPTACLE	
A		J.H	5/12/11		.XX ± 0.25				
					.XXX ± 0.10				
				angles	0° ±2°		MM	product family USB size dwg no A4 10118194	
				dr	JASON HSU	5/12/11			
				enrg	JASON HSU	5/12/11			
				chr	GARY HSIEH	5/12/11			
				appd	JOSEPH HSIA	5/12/11			
sheet index	revision sheet	A	1	scale		5:1	code TWN sheet 1 of 1		

AMEYA360

Components Supply Platform

Authorized Distribution Brand :



Website :

Welcome to visit www.ameya360.com

Contact Us :

➤ Address :

401 Building No.5, JiuGe Business Center, Lane 2301, Yishan Rd
Minhang District, Shanghai , China

➤ Sales :

Direct +86 (21) 6401-6692

Email amall@ameya360.com

QQ 800077892

Skype [ameyasales1](#) [ameyasales2](#)

➤ Customer Service :

Email service@ameya360.com

➤ Partnership :

Tel +86 (21) 64016692-8333

Email mkt@ameya360.com