


Product number C10385_NIS83-MX-4-SS

| | | | |
|-----------------|------------------|-------------------|------------|
| Family | Quak | FWHM | 12 degrees |
| Type | Lens array | Efficiency | - |
| LED | MX-6 | cd/lm | - |
| Color | Clear | Gerber File | Available |
| Diameter | 50 mm | MR16 Applications | |
| Height | 15.23 mm | | |
| Style | Round | | |
| Optic Material | PMMA | | |
| Holder Material | - | | |
| Fastening | ["glue", "pin"] | | |
| Status | Production ready | | |


Product number C10386_NIS83-MX-4-M

| | | | |
|-----------------|------------------|-------------------|------------|
| Family | Quak | FWHM | 22 degrees |
| Type | Lens array | Efficiency | - |
| LED | MX-6 | cd/lm | - |
| Color | Clear | Gerber File | Available |
| Diameter | 50 mm | MR16 Applications | |
| Height | 15.23 mm | | |
| Style | Round | | |
| Optic Material | PMMA | | |
| Holder Material | - | | |
| Fastening | ["glue", "pin"] | | |
| Status | Production ready | | |


Product number C10387_NIS83-MX-4-W

| | | | |
|-----------------|------------------|-------------------|------------|
| Family | Quak | FWHM | 50 degrees |
| Type | Lens array | Efficiency | - |
| LED | MX-6 | cd/lm | - |
| Color | Clear | Gerber File | Available |
| Diameter | 50 mm | MR16 Applications | |
| Height | 15.23 mm | | |
| Style | Round | | |
| Optic Material | PMMA | | |
| Holder Material | - | | |
| Fastening | ["pin", "glue"] | | |
| Status | Production ready | | |

NOTE: The typical divergence will be changed by different color, chip size and chip position tolerance. The typical total divergence is the full angle measured where the luminous intensity is half of the peak value.



PRODUCT DATASHEET

Quak series

last update 16/3/2016

GENERAL INFORMATION

- Product series especially designed & optimized for MX-6 series of LEDs.
- Special care taken to make light distribution as uniform as possible.
- Lens material optical grade PMMA with high UV and temperature resistance. Allows use of high current and temperature conditions.

Please find more information about used material from below:

http://ledil.fi/sites/default/files/Documents/Technical/Material/PMMA%20N%20UL94_Yellow%20Card.pdf

<http://ledil.fi/sites/default/files/Documents/Technical/Material/PMMA%20N%20PLEXIGLAS-Datasheet.pdf>

D

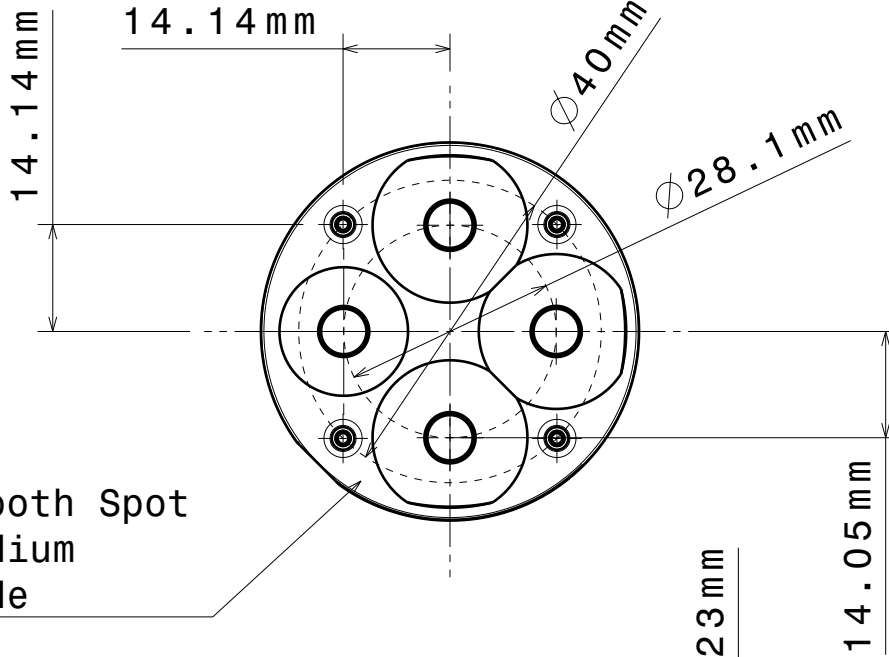
C

B

A

4

4



MARKING:

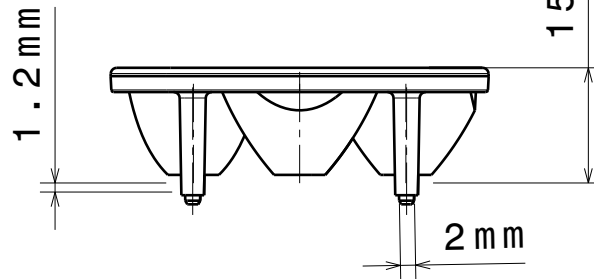
NS = Smooth Spot

NM = Medium

NW = Wide

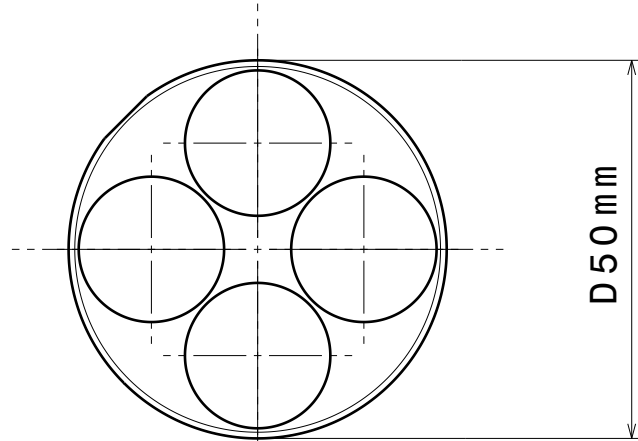
3

3



2

2



Applies to:

Spot C10385_MX6-4-SS

Medium C10386_MX6-4-M

Wide C10387_MX6-4-W

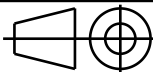
| INDEX | DESCRIPTION | MATERIAL | COLOUR |
|-------|------------------|----------|--------|
| 1 | MX-4 series lens | PMMA | |

Tolerances if not otherwise shown
According to DIN ISO 2768-1
Linear measures:
Up to 30mm class M, otherwise class C.
According to DIN ISO 2768-2
Form and position: class L

LEDiL

Ledil Oy
Salorankatu 10
FIN 24240 SALO
Finland

THIRD ANGLE PROJECTION:



DRAWING TITLE

MX-4 series lens

This drawing is the property
of LEDiL Oy. It may not be
reproduced, copied or
communicated without a written
agreement with LEDiL Oy.

SIZE PART NUMBER

A4

C10385-387

SCALE 1:1 WEIGHT -

SHEET 1/1

D

A

1

1

AMEYA360

Components Supply Platform

Authorized Distribution Brand :



Website :

Welcome to visit www.ameya360.com

Contact Us :

➤ Address :

401 Building No.5, JiuGe Business Center, Lane 2301, Yishan Rd
Minhang District, Shanghai , China

➤ Sales :

Direct +86 (21) 6401-6692

Email amall@ameya360.com

QQ 800077892

Skype [ameyasales1](#) [ameyasales2](#)

➤ Customer Service :

Email service@ameya360.com

➤ Partnership :

Tel +86 (21) 64016692-8333

Email mkt@ameya360.com