

DCH3 Series

3 Watts

Total Power: 3 Watts
Input Voltage: 100 - 254 Vac
of Outputs: Single



Special Features

- USB Switching wallmount power supply
- Universal AC input
- Available in multiple AC plug configurations
- CE Mark EMC & LVD, & ErP 2011 for EU versions
- Regulated output
- Overload and short circuit protection
- Constant voltage, constant current
- Efficiency Level V
- Built in EMI filter (CISPR 22 Class B)
- Available in various output connectors
- Mini USB 2.0 dc output plug - 0005
- Micro USB 2.0 dc output plug - 0006

Safety

- **UL** 60950 / 6500
- **cUL** 60950 / 6500
- **TUV** 60950
- **NEMKO** 60950
- **CB** Certificate and report
- **CE** EMC, LVD & ErP 2011 for EU & UK versions
- **CTIA**
- **ENEC**

Electrical Specifications

Input	
Input range:	100 - 240 Vac (wide range)
Frequency:	47 - 63 Hz
EMI/RFI:	FCC Part 15, Subpart B Class B & EN55022 (CISPR 22) Class B & EMC89/336/EEC
Safety ground leakage current:	10 μ A @ 50/60 Hz, 230 Vac input
Output	
Voltage (Vo):	5 V (4.75 - 5.25 V)
Maximum Power (Po):	3 W
Hold-up time:	25 ms. typical at full load @ 115 Vac
Overvoltage protection:	Single fault 10.5 V max. Latching type
Overload protection:	Output short circuit protection auto recover Overload protected > 800 mA
Output:	DC cable with Mini USB 2.0 -0005 suffix and Micro USB 2.0 -0006
Connector Pinout:	Pin 1: +V Pin 5: ground

Environmental Specifications

Operating temperature:	0° to 45 °C ambient
Storage temperature:	-20 °C to +70 °C
Electromagnetic susceptibility:	Designed to meet EN55082-1
Humidity:	Operating; non-condensing 20% to 90% RH
Vibration:	Per IEC 60068-2-6

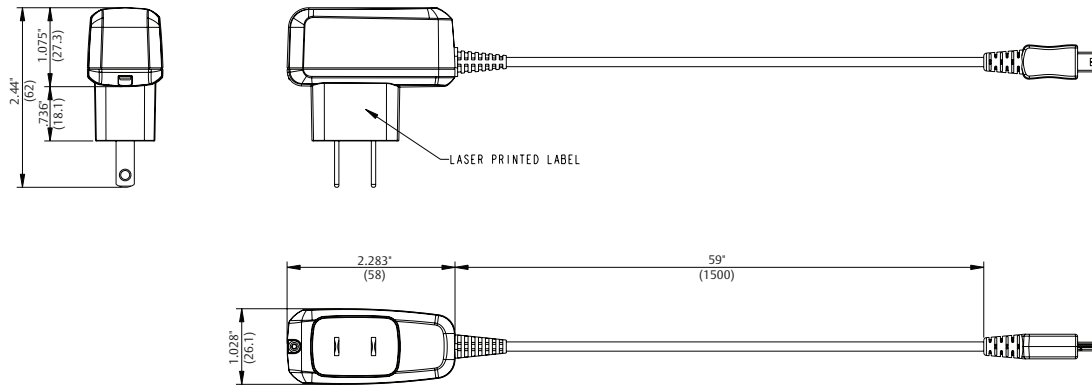
Ordering Information

Model Number	Maximum Power	Output Voltage	Minimum Load	Maximum Load	Ripple P/P (PARD) ¹	Connector
DCH3-050US-0005	3 W	5 V	0	0.55 A	200 mV	Mini USB 2.0
DCH3-050EU-0005	3 W	5 V	0	0.55 A	200 mV	Mini USB 2.0
DCH3-050UK-0005	3 W	5 V	0	0.55 A	200 mV	Mini USB 2.0
DCH3-050US-0006	3 W	5 V	0	0.55 A	200 mV	Micro USB 2.0
DCH3-050EU-0006	3 W	5 V	0	0.55 A	200 mV	Micro USB 2.0
DCH3-050UK-0006	3 W	5 V	0	0.55 A	200 mV	Micro USB 2.0

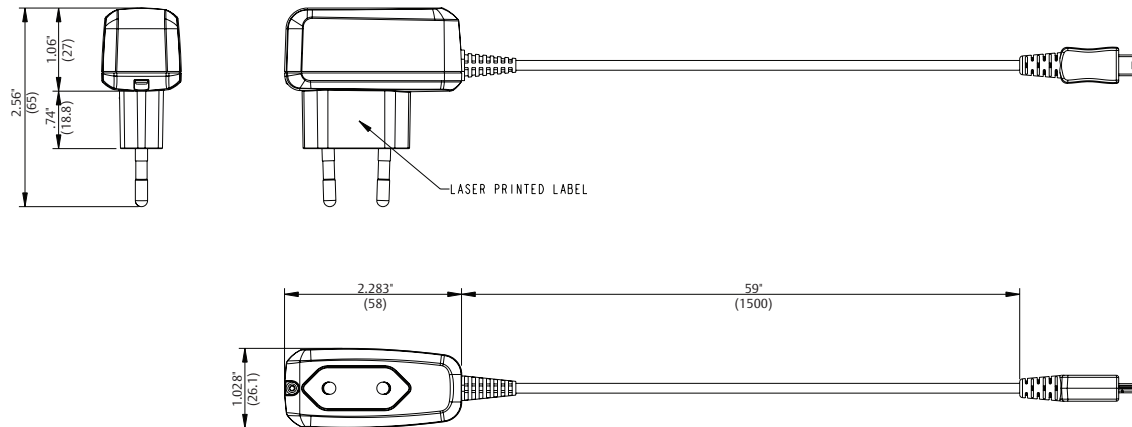
1. Peak-to-peak with 20 MHz bandwidth and 10 μ F (tantalum capacitor) in parallel with a 0.1 μ F capacitor at rated line voltage and load ranges.
2. Output should not be grounded for EMI purpose.

Mechanical Drawing

DCH3-050US - 0005 & 0006

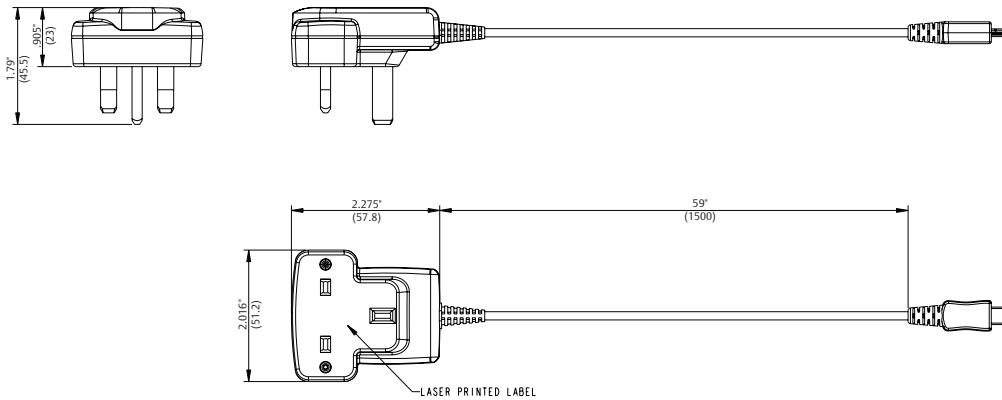


DCH3-050EU - 0005 & -0006

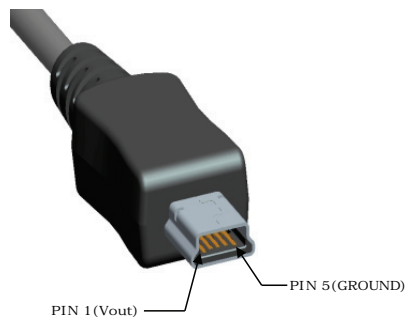


Mechanical Drawing

DCH3-050UK - 0005 & - 0006



Pin Assignments



Notes:

1. Specifications subject to change without notice.
2. All dimensions in inches (mm), tolerance is $\pm .02$ ".
3. Warranty: 2 years
4. Weight: 0.144 lb. / 0.066kg.

Americas

5810 Van Allen Way
Carlsbad, CA 92008
USA
Telephone: +1 760 930 4600
Facsimile: +1 760 930 0698

Europe (UK)

Waterfront Business Park
Merry Hill, Dudley
West Midlands, DY5 1LX
United Kingdom
Telephone: +44 (0) 1384 842 211
Facsimile: +44 (0) 1384 843 355

Asia (HK)

14/F, Lu Plaza
2 Wing Yip Street
Kwun Tong, Kowloon
Hong Kong
Telephone: +852 2176 3333
Facsimile: +852 2176 3888

For global contact, visit:

www.Emerson.com/EmbeddedPower
techsupport.embeddedpower@emerson.com

While every precaution has been taken to ensure accuracy and completeness in this literature, Emerson Network Power assumes no responsibility, and disclaims all liability for damages resulting from use of this information or for any errors or omissions.

Emerson Network Power.
The global leader in enabling
business-critical continuity.

- AC Power
- Connectivity
- DC Power
- Embedded Computing
- Embedded Power**
- Monitoring
- Outside Plant
- Power Switching & Controls
- Precision Cooling
- Racks & Integrated Cabinets
- Services
- Surge Protection

EmersonNetworkPower.com

Emerson Network Power and the Emerson Network Power logo are trademarks and service marks of Emerson Electric Co.
©2011 Emerson Electric Co.

AMEYA360

Components Supply Platform

Authorized Distribution Brand :



Website :

Welcome to visit www.ameya360.com

Contact Us :

➤ Address :

401 Building No.5, JiuGe Business Center, Lane 2301, Yishan Rd
Minhang District, Shanghai , China

➤ Sales :

Direct +86 (21) 6401-6692

Email amall@ameya360.com

QQ 800077892

Skype [ameyasales1](#) [ameyasales2](#)

➤ Customer Service :

Email service@ameya360.com

➤ Partnership :

Tel +86 (21) 64016692-8333

Email mkt@ameya360.com