

**Model 6713**  
**Adapter Push-on Plug Jack (F/M)**

**Features:**

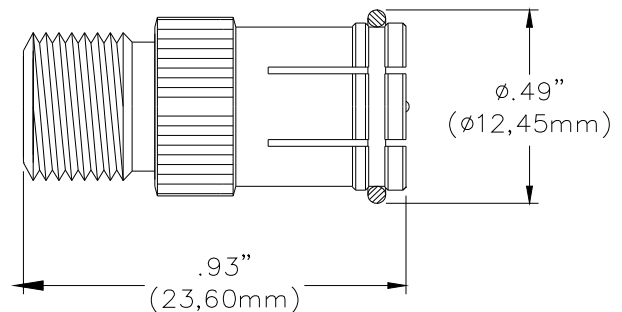
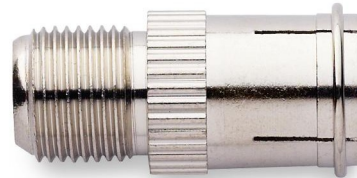
- The adapter attaches to cables with male F style connector, which then allows the cable to simply slip on and off, quickly and reliably to female F connectors.
- The “push-on” adapter is ideal for testing and manufacturing environments.
- Adapter is precision machined (not die-cast) from brass.

**Materials:**

Connector Body: Nickel plated brass  
Center Contact: Nickel plated brass  
Insulator (F): Polystyrene  
Insulator (M): Polybutylene Terephthalate

**Ratings:**

Impedance:	75 Ohms	
Frequency:	0 to 500 MHz	
VSWR:	1.5 max	
Contact Resistance:	3 Milliohms max.	
Max Voltage	* 500 V	
Insulation Resistance:	5,000 Megohms min.	
Insertions:	500	
Temperature:	-40 to +65 C	
* Hands free testing in controlled voltage environment: For CE compliance: not intended for hand held use at voltages above 33 Vrms / 70 Vdc.		



USA: Sales: 800-490-2361 Technical Support: 800-241-2060 Fax: 888-403-3360

Europe: 31-(0) 40 2675 150 International: 425-446-5500  
e-mail: [technicalsupport@pomonatest.com](mailto:technicalsupport@pomonatest.com)

Where to Buy: [www.pomonaelectronics.com](http://www.pomonaelectronics.com)

All dimensions are in inches. Tolerances (except noted): .xx = ±.02" (.51 mm), .xxx = ±.005" (.127 mm). All specifications are to the latest revisions. Specifications are subject to change without notice. Registered trademarks are the property of their respective companies.

# AMEYA360

## Components Supply Platform

Authorized Distribution Brand :



Website :

Welcome to visit [www.ameya360.com](http://www.ameya360.com)

Contact Us :

➤ Address :

401 Building No.5, JiuGe Business Center, Lane 2301, Yishan Rd  
Minhang District, Shanghai , China

➤ Sales :

Direct +86 (21) 6401-6692

Email [amall@ameya360.com](mailto:amall@ameya360.com)

QQ 800077892

Skype [ameyasales1](#) [ameyasales2](#)

➤ Customer Service :

Email [service@ameya360.com](mailto:service@ameya360.com)

➤ Partnership :

Tel +86 (21) 64016692-8333

Email [mkt@ameya360.com](mailto:mkt@ameya360.com)