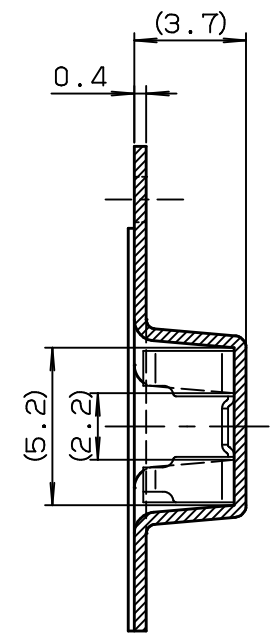
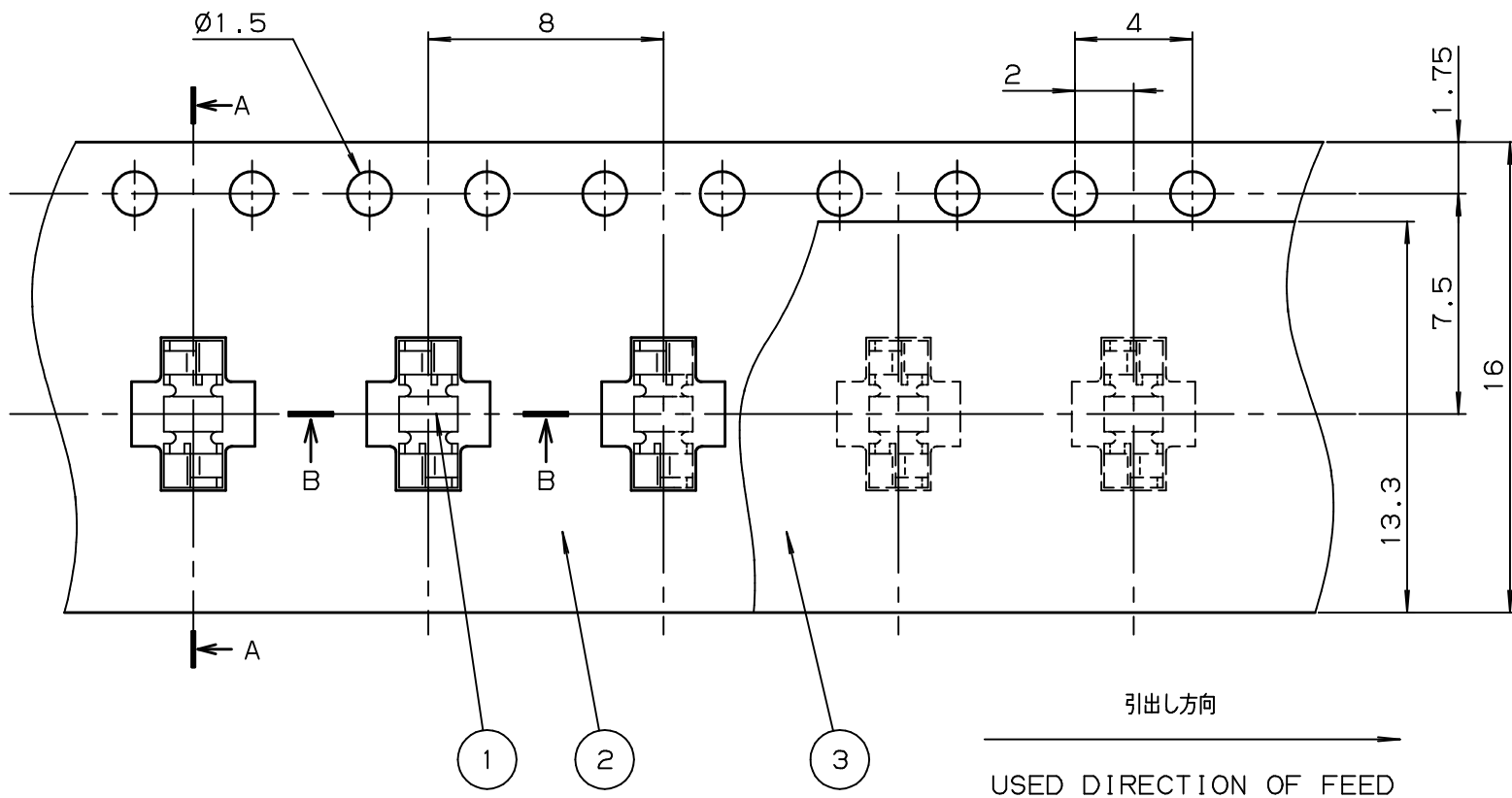
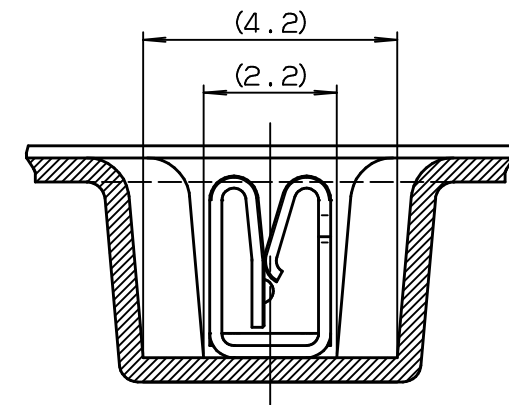
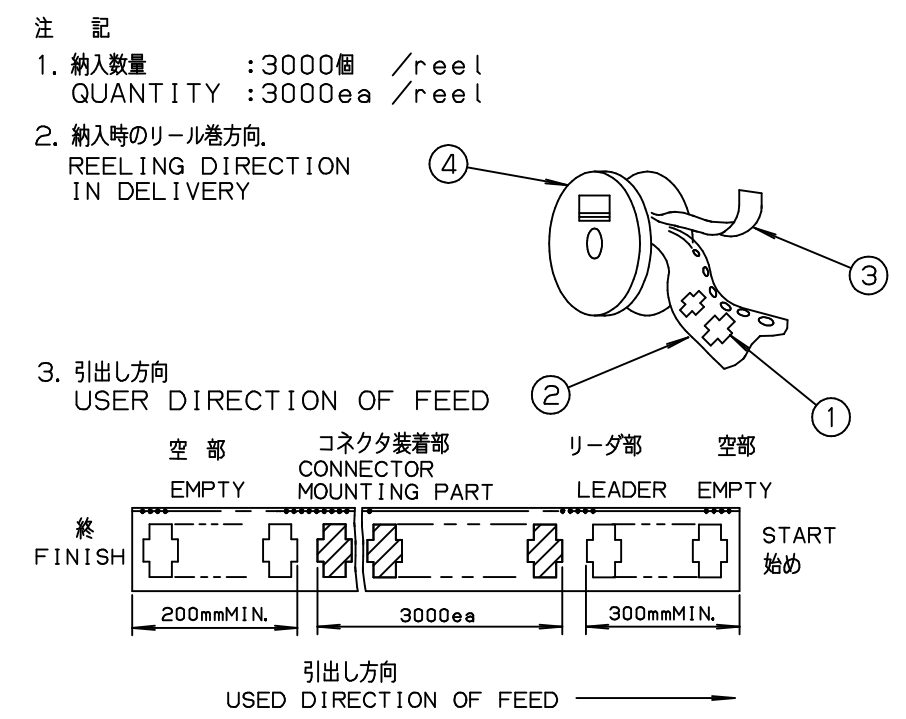


NO.	DESCRIPTION	PART NO.	QTY	MATERIAL	DRW NO.	REMARKS
1	SHIELD LOCK	70 8069 000 000 800	3000	PHOS. BRO.	BJS 8069501	
2	EMBOSSSED TAPE		1	POLYSTYRENE		
3	TOP COVER TAPE		1	POLYSTYRENE		
4	REEL		1	CORRUGATED CARDBOARD		



SECT. A-A



SECT. B-B (S=8/1)

製品型番 (P/N) : 04 8069 000 000 800

めっきコード _____

PLATING CODE

800 : 材料めっき

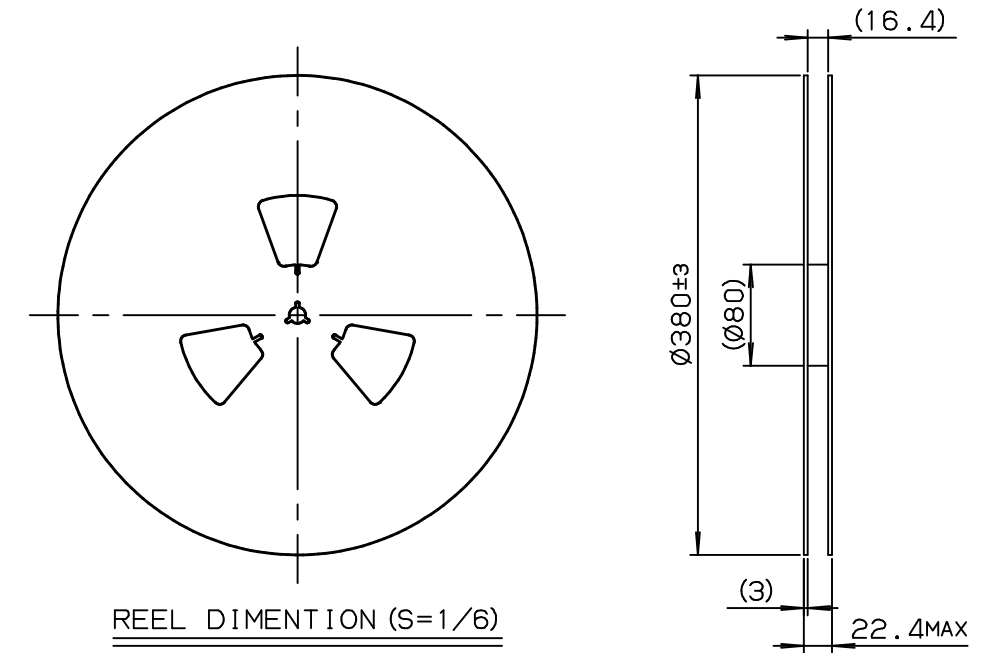
全体:Cuストライク

Snリフローめっき 0.8~1.5μm

PRE-PLATED

ALL OVER:Cu STRIKE

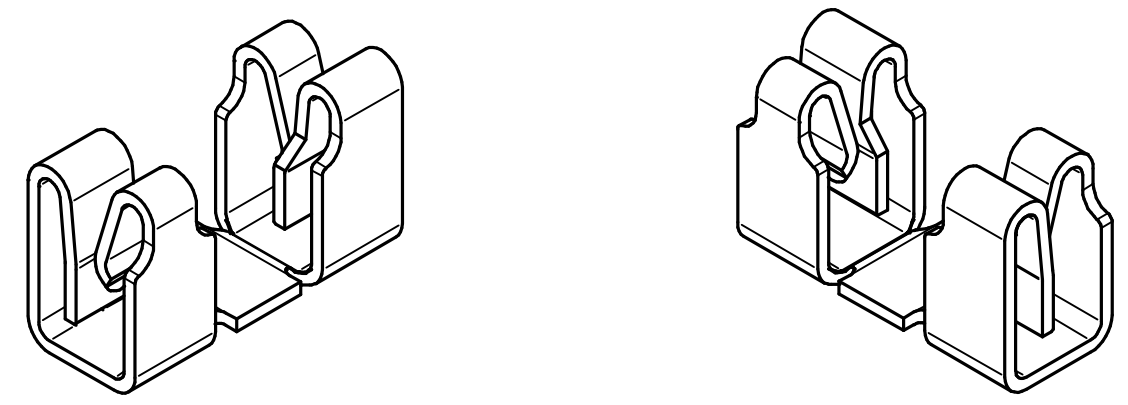
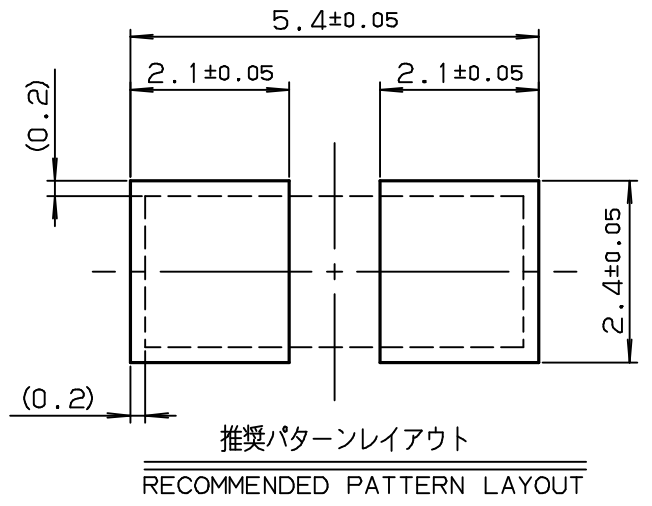
Sn REFLOW 0.8~1.5μm



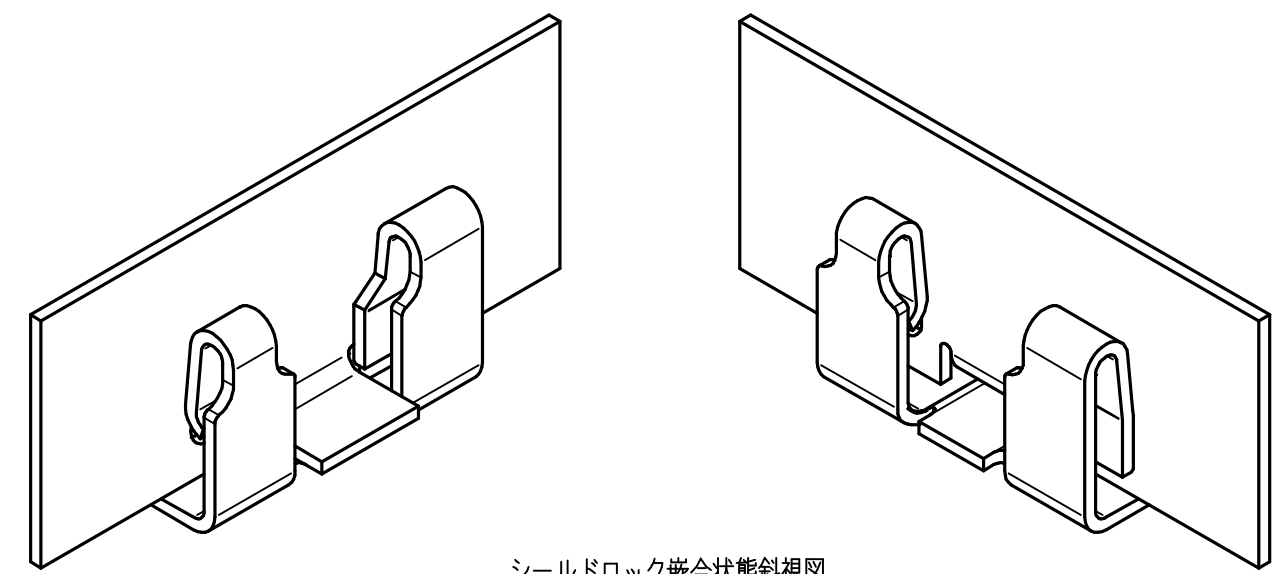
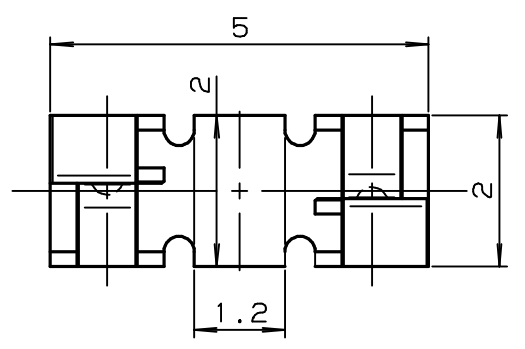
REEL DIMENTION (S=1/6)

MATERIAL / 材質		PRODUCT SPEC / 製品規格		B	DCN-318	4-20-00			
				A	DCN-195	03-14-00	K. KAKIUCHI		K. HONDA
FINISH / 仕上		TOLERANCE / 一般公差		O	EDN-710	10-28-99	K. KAKIUCHI		M. SAKAOKA
		±0.3		NO.	EDN/DCN	DATE	ISSUE	CHECKED	APPROVED
UNIT		ANGLE	SCALE	PART NAME / 品名					
mm	3RD	4 / 1	DATE	SERIES 8069 SHIELD LOCK ASSY					
				16mm TAPING					
DRAWN		DESIGNED	CHECKED	PART NO. / 型番					
K. KAKIUCHI		K. KAKIUCHI		04 8069 000 000 800					
		APPROVED		DWG NO. / 図番					
		M. SAKAOKA		BJS 8069001					
KYOCERA		KYOCERA ELCO CORPORATION		SHEET REV				1 / 1 B	

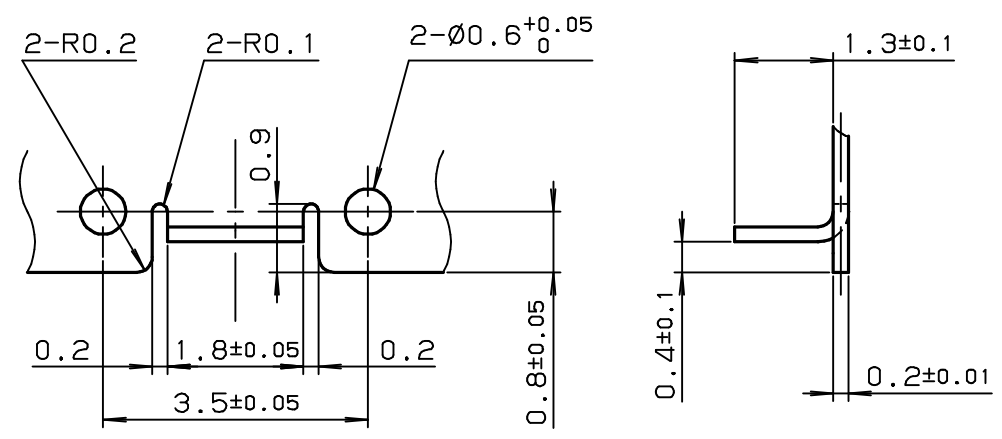
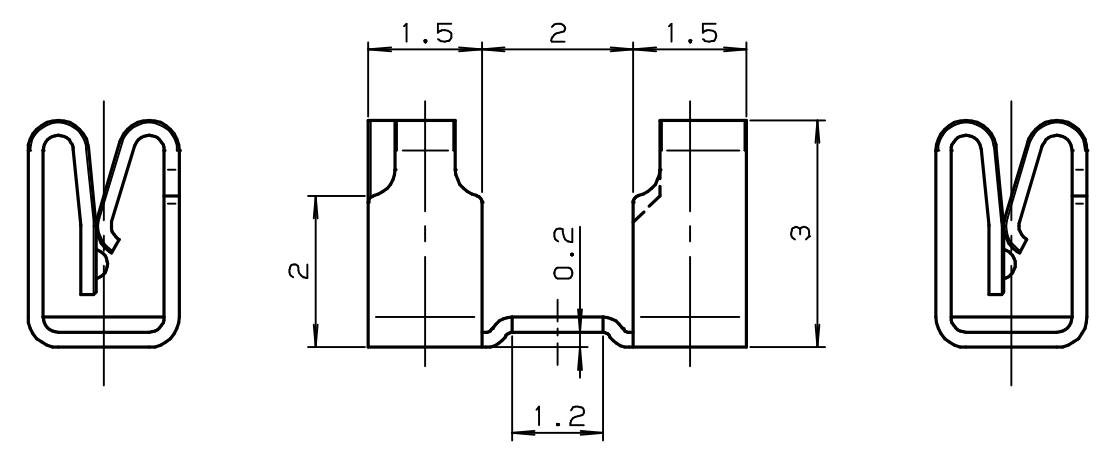
NO.	DESCRIPTION	PART NO.	QTY	MATERIAL	DRW NO.	REMARKS
-----	-------------	----------	-----	----------	---------	---------



シールドロック斜視図
SHIELD LOCK



シールドロック嵌合状態斜視図
SHIELD LOCK MATING



シールドケース形状
SHIELDING CASE FORM

MATERIAL / 材質 PHOSPHOR BRONZE t=0.2mm		PRODUCT SPEC / 製品規格		A DCN-195 03-14-00			
FINISH / 仕上 PREPLATING Sn REFLOW		TOLERANCE / 一般公差 ±0.3		O EDN-725 11-04-99		K. KAKIUCHI / M. SAKAOKA	
UNIT mm	ANGLE 3RD	SCALE NYS	DATE 11-04-99	PART NAME / 品名 SERIES 8069 SHIELD LOCK			
DRAWN K. KAKIUCHI	DESIGNED K. KAKIUCHI	CHECKED	APPROVED M. SAKAOKA	PART NO. / 型番 70 8069 000 000 800			
KYOCERA KYOCERA ELCO CORPORATION				DWG NO. / 図番 BJS 8069501		SHEET / REV 1 / 1 A	

AMEYA360

Components Supply Platform

Authorized Distribution Brand :



Website :

Welcome to visit www.ameya360.com

Contact Us :

➤ Address :

401 Building No.5, JiuGe Business Center, Lane 2301, Yishan Rd
Minhang District, Shanghai , China

➤ Sales :

Direct +86 (21) 6401-6692

Email amall@ameya360.com

QQ 800077892

Skype ameyasales1 ameyasales2

➤ Customer Service :

Email service@ameya360.com

➤ Partnership :

Tel +86 (21) 64016692-8333

Email mkt@ameya360.com