

2015

RELEASED FOR PUBLICATION

THIS DRAWING IS UNPUBLISHED.

ALL RIGHTS RESERVED.

BY TE CONNECTIVITY

© COPYRIGHT 2015


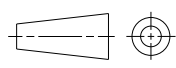
REVISIONS

P	LTR	DESCRIPTION	DATE	DWN	APVD
	E	FIRST ISSUE	06OCT2015	DC	RP

LOOSE PIECE VERSION OF 150545

THE BARRELS ARE NOT PREFORMED.
THE CUT OFF TABS COMPLY TO APPLICATION SPEC. 114-3118.

STRIP P/N	LOOSE PIECE P/N
150545-2	150346-2

DIMENSIONS: mm	DWN D.CHIARELLI	06OCT2015	MATERIAL	-	FINISH	-
	CHK D.CHIARELLI	06OCT2015	 TE Connectivity			
TOLERANCES UNLESS OTHERWISE SPECIFIED:	APVD R.PAI	06OCT2015				
0 PLC ±	PRODUCT SPEC	-	NAME MINIATURE FASTON .110 SERIES			
1 PLC ±	APPLICATION SPEC	114-3118	SIZE	CAGE CODE	DRAWING NO	RESTRICTED TO
2 PLC ±			A 4	-	©=150346	-
3 PLC ±						
4 PLC ±						
ANGLES ±	WEIGHT	-				
	CUSTOMER DRAWING	SCALE		DRAWING	SHEET 1 OF 1	REV E

AMEYA360

Components Supply Platform

Authorized Distribution Brand :



Website :

Welcome to visit www.ameya360.com

Contact Us :

➤ Address :

401 Building No.5, JiuGe Business Center, Lane 2301, Yishan Rd
Minhang District, Shanghai , China

➤ Sales :

Direct +86 (21) 6401-6692

Email amall@ameya360.com

QQ 800077892

Skype [ameyasales1](#) [ameyasales2](#)

➤ Customer Service :

Email service@ameya360.com

➤ Partnership :

Tel +86 (21) 64016692-8333

Email mkt@ameya360.com