

FEATURES

- Transient Protection: Meets the requirements of IEEE 472, "Surge Withstanding Capability Test"
- SPST, Normally Open
- Zero Crossing Turn-On
- UL, CSA, CE, TÜV Certified
- Optical Isolation
- OpenLine® and G5 Modules Provide Replaceable 5x20 mm Glass Fuses
- Built-in Status LED
- Lifetime Warranty



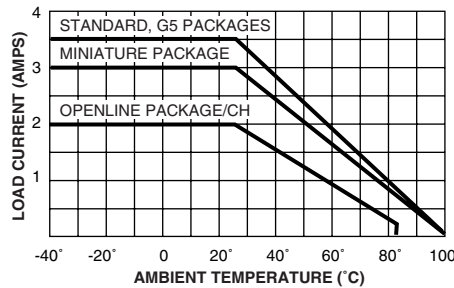
70L-OAC 70G-OAC 70-OAC 70M-OAC

DIMENSIONS

For complete dimensional drawings, see pages L-4 or L-5.

FUSES

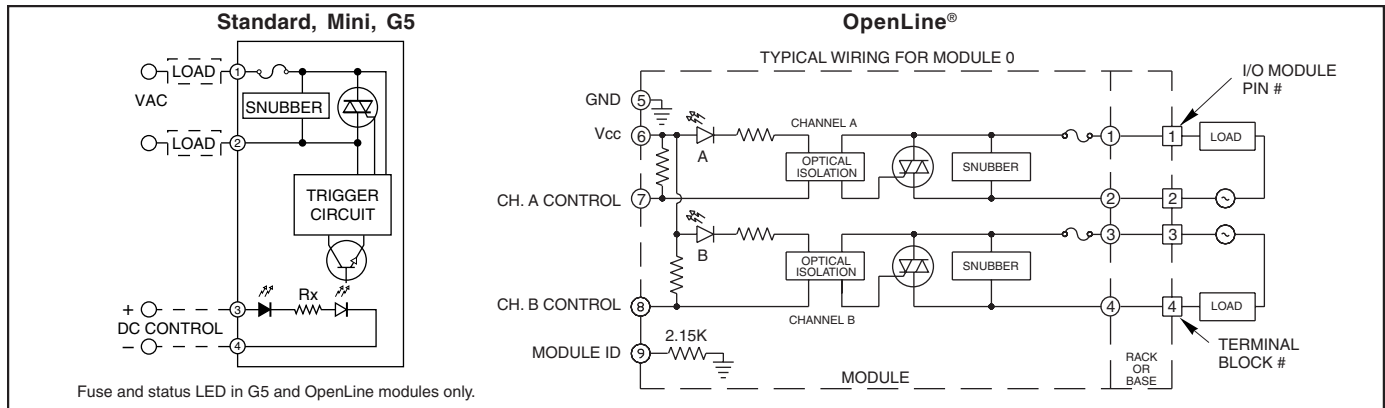
G5 Fuses are 5 Amp Littelfuse part number 217005 or equivalent. OpenLine® fuses are 3.15 Amp Littelfuse part number 2173.15.



Maximum Current Versus Ambient Temperature

The chart indicates continuous current to limit the junction temperatures to 100°C. Information is based on steady state heat transfer in a 2 cubic foot sealed enclosure.

CIRCUITRY



SPECIFICATIONS: By Package Style

Package Style		Std (70-)	Mini (70M-)	G5 (70G-)	OL (70L-)
Specifications	Units				
Load Current Range ¹	A rms	0.03 to 3.5	0.03 to 3.0	0.03 to 3.5	0.03 to 2.0/CH
Maximum 1 Cycle Surge ²	A rms	80	80	80	30
Maximum Turn-On-Time (60 Hz) ³	mSec	8.33	8.33	8.33	8.33
Maximum Turn-Off Time (60 Hz)	mSec	8.33	8.33	8.33	8.33
Static dv/dt ⁷	V/μsec	3000	3000	3000	3000
Typ. Power Dissipation	W/A	1.0	1.0	1.0	1.0
Isolation Voltage ⁴	V rms	4000	4000	4000	2500
Vibration ⁵		MIL-STD-202	MIL-STD-202	MIL-STD-202	IEC68-2-6
Mechanical Shock ⁶		MIL-STD-202	MIL-STD-202	MIL-STD-202	IEC68-2-27
Storage Temp. Range	°C	-40 to 125	-40 to 125	-40 to 125	-40 to 100
Operating Temp. Range	°C	-40 to 100	-40 to 100	-40 to 100	-40 to 85
Warranty		Lifetime	Lifetime	Lifetime	Lifetime

¹ See Figure 1 for derating.

² Maximum 10 cycle surge is 50% of 1 cycle surge. Application of maximum surge may not be repeated until module temperature has returned to its steady state value.

³ Except 70-OAC5A5 which is 200 μSec and 70-OAC5A-11, 70M-OAC5A-11, and 70G-OAC5A-11 which are 100 μSec.

⁴ Field to logic and channel-to-channel if Grayhill racks are used.

⁵ MIL-STD-202, Method 204, 20, 10-2000 Hz or IEC68-2-6, 0.15 mm/sec², 10-150 Hz.

⁶ MIL-STD-202, Method 213, Condition F, 1500G or IEC68-2-27, 11 mS, 15g.

⁷ Except part numbers with -L suffix which have a dv/dt rating of 200 V/μSec.

SPECIFICATIONS: By Part Number

Standard and Miniature Modules

Type/Function		Grayhill Part Number					
Miniature, Normally Open, Random Turn-on			70M-OAC5A-11				
Miniature, Normally Open, Zero Voltage Turn-on (ZVT)		70M-OAC5	70M-OAC5A	70M-OAC15		70M-OAC24	70M-OAC24A
Miniature, Normally Open, ZVT, Inductive Load		70M-OAC5-L	70M-OAC5A-L				
Standard, Normally Closed, Random Turn-on			70-OAC5A5				
Standard, Normally Open, Random Turn-on			70-OAC5A-11				70-OAC24A-11
Standard, Normally Open, ZVT		70-OAC5	70-OAC5A	70-OAC15	70-OAC15A	70-OAC24	70-OAC24A
Standard, Normally Open, ZVT, Inductive Load		70-OAC5-L	70-OAC5A-L				
Specifications	Units						
Nominal Line Voltage	Vac	120	240	120	240	120	240
Load Voltage Range	Vac	24-140	24-280	24-140	24-280	24-140	24-280
Minimum Peak Blocking Voltage	Volts	400	600	400	600	400	600
Maximum Off-state Leakage @ 60Hz	mA, rms	2	4	2	4	2	4
Nominal Logic Voltage (Vcc)	Vdc	5	5	15	15	24	24
Logic Voltage Range	Vdc	2.5-10	2.5-10	10-18	10-18	15-30	15-30
Max. Logic Supply Current @ Nominal Vcc	mA	16	16	9	9	9	9
Nominal Input Resistance (Rx)	W	240	240	1800	1800	2700	2700
Minimum Drop Out Voltage	Vdc	1	1	1	1	1	1
Maximum Reverse Logic Voltage	Vdc	-5	-5	-5	-5	-5	-5

G5 Modules

Type/Function		Grayhill Part Number					
G5 Fusible, Normally Open, ZVT		70G-OAC5	70G-OAC5A	70G-OAC15		70G-OAC24	70G-OAC24A
G5 Fusible, Normally Open, ZVT, Inductive Load		70G-OAC5-L	70G-OAC5A-L	70G-OAC15-L	70G-OAC15A-L		
Specifications	Units						
Nominal Line Voltage	Vac	120	240	120	240	120	240
Load Voltage Range	Vac	24-140	24-280	24-140	24-280	24-140	24-280
Minimum Peak Blocking Voltage	Volts	400	600	400	600	400	600
Maximum Off-state Leakage @ 60Hz	mA, rms	2	4	2	4	2	4
Nominal Logic Voltage (Vcc)	Vdc	5	5	15	15	24	24
Logic Voltage Range	Vdc	4-6	4-6	8-20	8-20	18-32	18-32
Max. Logic Supply Current @ Nominal Vcc	mA	20	20	12	12	8	8
Nominal Input Resistance (Rx)	W	100	100	1000	1000	2700	2700
Minimum Drop Out Voltage	Vdc	1	1	1	1	1	1
Maximum Reverse Logic Voltage	Vdc	-5	-5	-5	-5	-5	-5

OpenLine® Modules

Type/Function		Grayhill Part Number	
Dual, Fusible, Normally Open, ZVT		70L-OAC	70L-OACA
Dual, Fusible, Normally Open, ZVT, Inductive Load		70L-OAC-L	70L-OACA-L
Specifications	Units		
Nominal Line Voltage	Vac	120	240
Load Voltage Range	Vac	24-140	24-280
Minimum Peak Blocking Voltage	Volts	600	600
Maximum Off-State Leakage @ 60 Hz	mA, rms	2	4
Nominal Logic Voltage	Vdc	5	5
Logic Voltage Range	Vdc	4.5-28	4.5-28
Max. Logic Supply Current @ Nominal Vcc	mA	7/CH	7/CH
Module ID Resistance to Logic Ground	W	2.15K	2.15K
Minimum Drop Out Voltage	Vdc	1	1

Available from your local Grayhill Distributor. For prices and discounts, contact a local Sales Office, an authorized local Distributor or Grayhill.

AMEYA360

Components Supply Platform

Authorized Distribution Brand :



Website :

Welcome to visit www.ameya360.com

Contact Us :

➤ Address :

401 Building No.5, JiuGe Business Center, Lane 2301, Yishan Rd
Minhang District, Shanghai , China

➤ Sales :

Direct +86 (21) 6401-6692

Email amall@ameya360.com

QQ 800077892

Skype [ameyasales1](#) [ameyasales2](#)

➤ Customer Service :

Email service@ameya360.com

➤ Partnership :

Tel +86 (21) 64016692-8333

Email mkt@ameya360.com