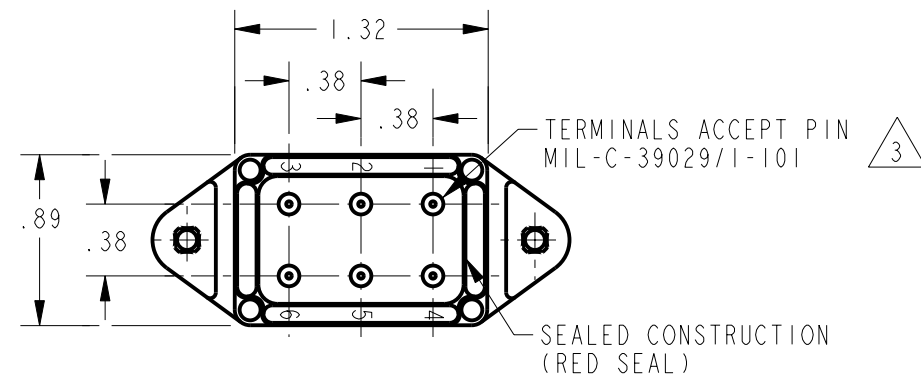
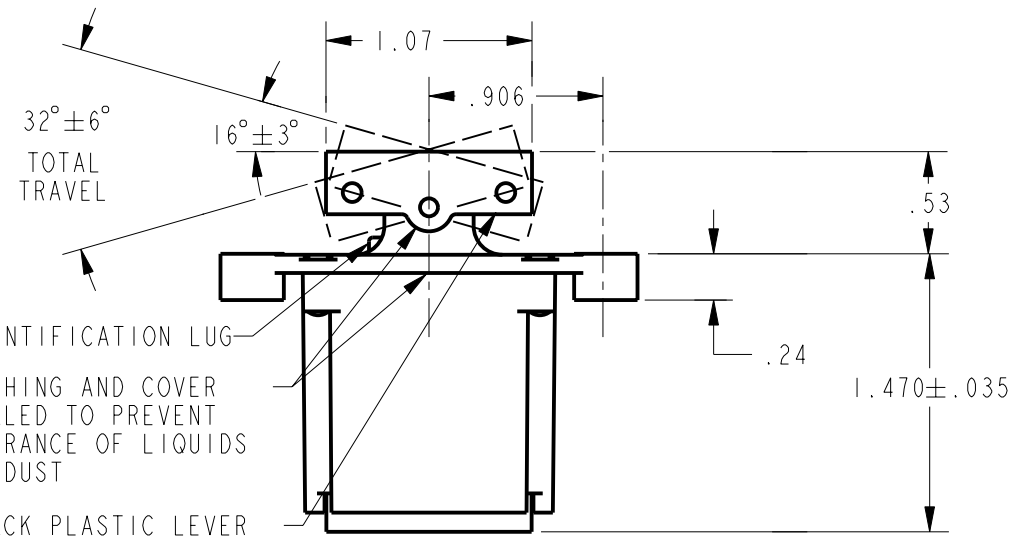
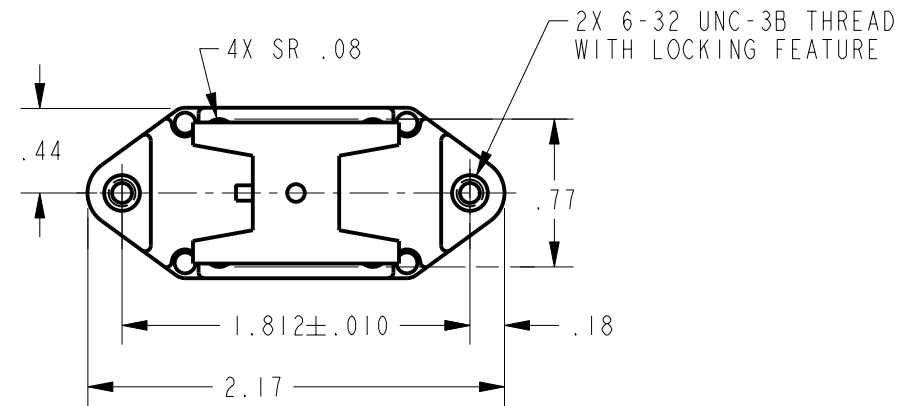


**SWITCH - TOGGLE
ABOVE PANEL MOUNT**

CATALOG LISTING
102TP82 SERIES CHART 1

THIS DRAWING COVERS A PROPRIETARY ITEM AND IS THE PROPERTY OF MICRO SWITCH. A DIVISION OF HONEYWELL. THIS DRAWING IS NOT TO BE COPIED OR USED WITHOUT THE APPROVAL OF MICRO SWITCH



CATALOG LISTING	CIRCUIT MADE WITH BUTTON DEPRESSED ON		
	LUG SIDE (1-2,4-5)	CENTER (1-2,4-5)	OPPOSITE LUG (2-3,5-6)
102TP82-1	ON	OFF	ON
102TP82-2	OFF	NONE	ON
102TP82-3	ON	NONE	ON
102TP82-21	NONE	OFF	ON
102TP82-31	NONE	ON	ON
102TP82-4	MOM OFF	NONE	ON
102TP82-5	MOM ON	OFF	ON
102TP82-6	MOM ON	NONE	OFF
102TP82-7	MOM ON	OFF	MOM ON
102TP82-8	MOM ON	NONE	ON
102TP82-51	NONE	ON	MOM ON
102TP82-61	MOM ON	OFF	NONE

ELECTRICAL DATA	
L191	15A 125, 250, 277 VAC 1/2HP 125 VAC 1HP 250, 277 VAC 5A 125 VAC "L"
CE	UL ®
L192	10A 125, 250, 277 VAC 1/4HP 125 VAC, 1/2HP 250, 277 VAC 3A 125 VAC "L"
CE	UL ®

NOTES

- 1 - CIRCUIT DESIGNATION AND MICRO SWITCH CATALOG LISTING MARKED ON SIDE OF SWITCH
- 2 - SWITCHES ARE CAPABLE OF WITHSTANDING A TEMPERATURE OF 160° F CONTINUOUSLY AT FULL RATED LOAD
- 3 - THE SEALING GROMMET SHALL SEAL ON A SMOOTH WIRE INSULATION OF Ø.040 TO Ø.083 (16-20 GAGE)
- 4 - UNUSED TERMINAL HOLES MAY BE SEALED WITH PLUGS M83723/28-20
- 5 - APPLIES ONLY TO "ON" AND "MOMENTARY ON" POSITIONS

THIRD ANGLE PROJECTION	
SCALE	FULL
DO NOT SCALE PRINT	
UNLESS OTHERWISE SPECIFIED TOLERANCES ARE	
ONE PLACE	(.0) ±.030
TWO PLACE	(.00) ±.015
THREE PLACE	(.000) ±.005
ANGLES	±
WEIGHT	

CATALOG LISTING 102TP82 SERIES CHART 1
PAGE 1 OF 1
RELEASE NO. PR-20331
REPLACES -
ISSUE 4
CHECK
REVISIONS
A 204410
GJW
16 NOV 01
CHECK
SAV
16 NOV 01
CHECK
DRAWN
GJW
16 NOV 01
PTC/CAD 2D
ANSI Y14.5M-1982 APPLIES

Authorized Distribution Brand :



Website :

Welcome to visit www.ameya360.com

Contact Us :

➤ Address :

401 Building No.5, JiuGe Business Center, Lane 2301, Yishan Rd
Minhang District, Shanghai , China

➤ Sales :

Direct +86 (21) 6401-6692

Email amall@ameya360.com

QQ 800077892

Skype ameyasales1 ameyasales2

➤ Customer Service :

Email service@ameya360.com

➤ Partnership :

Tel +86 (21) 64016692-8333

Email mkt@ameya360.com