

Customer Information Sheet

DRAWING No.: M22-636XXXX SHEET 2 OF 2

IF IN DOUBT - ASK

(C)

NOT TO SCALE

THIRD ANGLE PROJECTION

ALL DIMENSIONS IN mm

ORDER CODE:

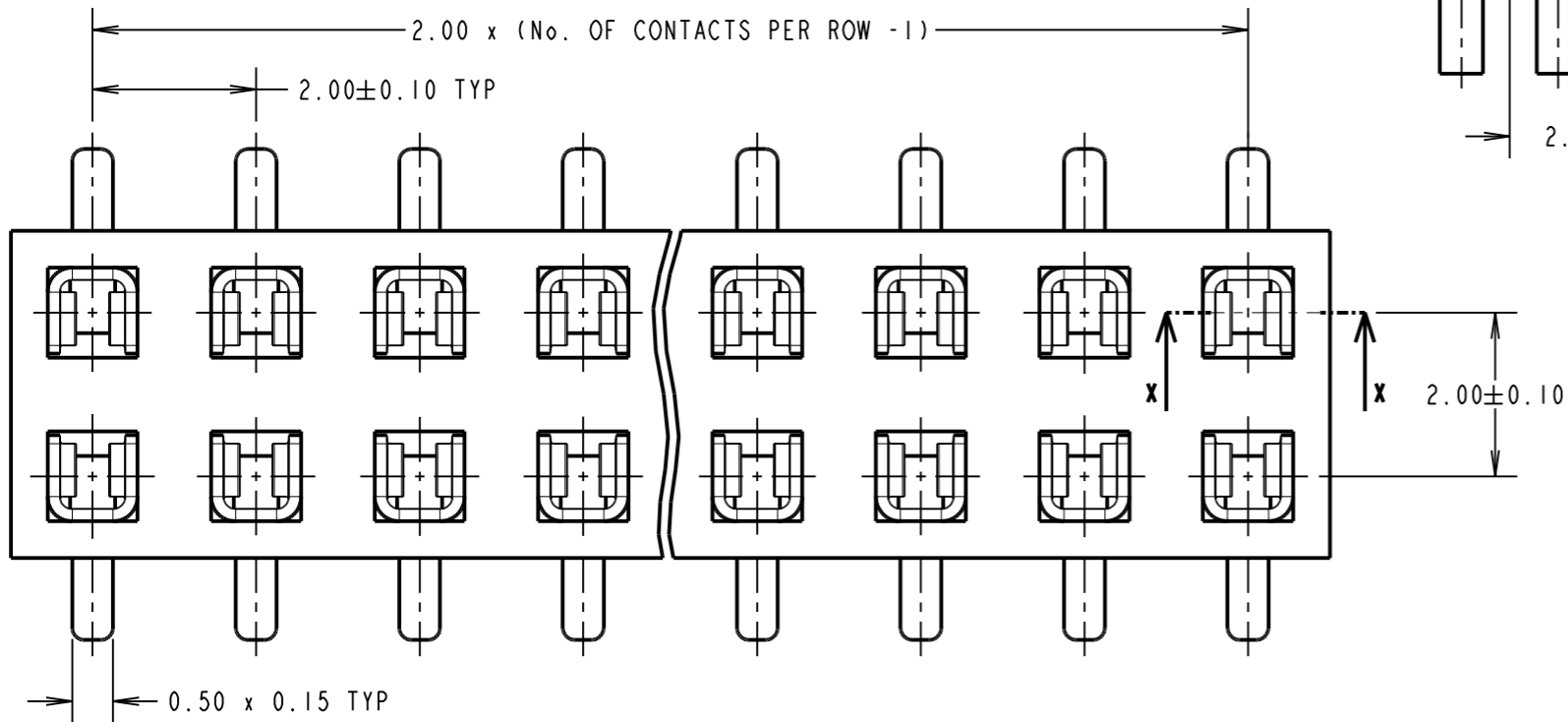
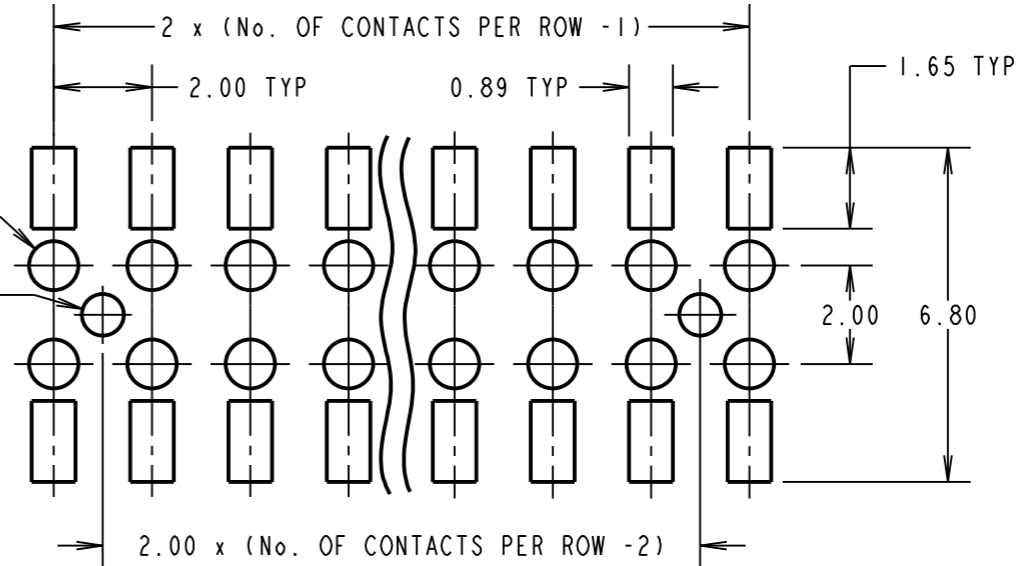
M22-636XXXX

No. OF CONTACTS PER ROW:
02 TO 20

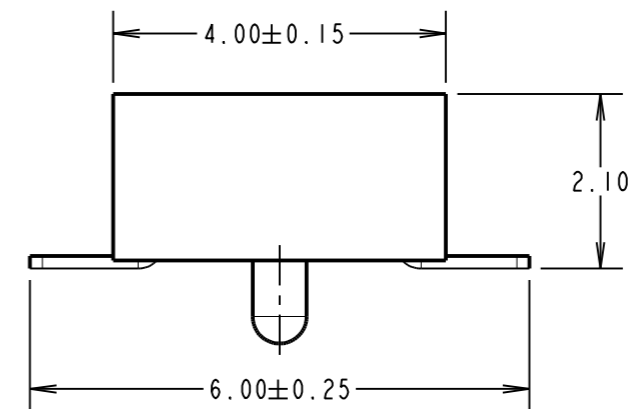
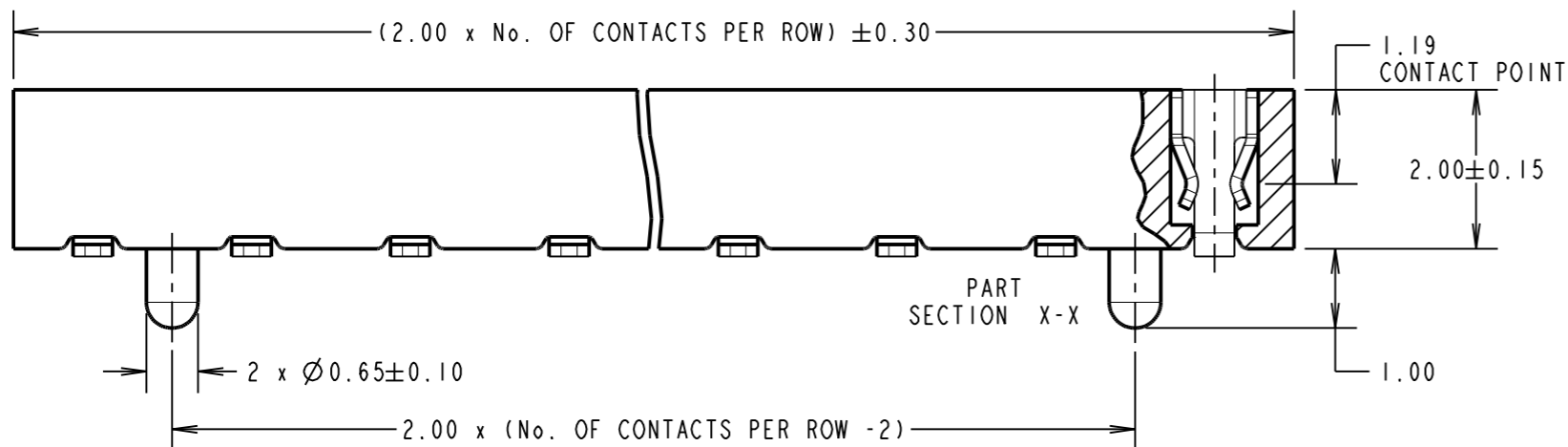
FINISH:
42 - SELECTIVE GOLD FLASH & 100% TIN
46 - 100% TIN

RECOMMENDED PCB LAYOUT
(TOLERANCE = ±0.05)

∅1.00±0.05 TYP
∅0.85^{+0.05}₀ TYP



SPECIFICATION:
MATERIAL = PA9T, UL94V-0, BLACK
CONTACTS = PHOSPHOR BRONZE
FINISH:
 42 = NICKEL ALL OVER WITH GOLD FLASH ON CONTACT AREA AND 100% TIN ON TAILS
 46 = 100% TIN OVER NICKEL
ELECTRICAL:
 CURRENT RATING = 2A
 CONTACT RESISTANCE = 20mΩ MAX
 INSULATION RESISTANCE = 1000MΩ MIN
 DIELECTRIC WITHSTANDING = 500V AC MIN
MECHANICAL:
 INSERTION FORCE = 1.77N MAX
 WITHDRAWAL FORCE = 0.25N MIN
ENVIRONMENTAL:
 TEMPERATURE RANGE = -40°C TO +105°C
PACKING:
 TUBE
 FOR COMPLETE SPECIFICATION, SEE COMPONENT SPECIFICATION C018XX (LATEST ISSUE).



MSP	10	15.06.15	12803
NAME	ISS.	DATE	C/NOTE
APPROVED:		M.PERREN	
CHECKED:		S.BENNETT	
DRAWN:		D.BECK	
CUSTOMER REF.:			
ASSEMBLY DRG:			

NOTES:
1. ALL TOLERANCES ARE ±0.25, UNLESS OTHERWISE STATED.

HARWIN

www.harwin.com
technical@harwin.com

THIS DRAWING AND ANY INFORMATION OR DESCRIPTIVE MATTER SET OUT HEREON ARE CONFIDENTIAL AND COPYRIGHT PROPERTY OF THE HARWIN GROUP AND MUST NOT BE DISCLOSED, LOANED, COPIED OR USED FOR MANUFACTURING, TENDERING OR FOR ANY OTHER PURPOSE WITHOUT THEIR WRITTEN PERMISSION.

TOLERANCES
 X = ±1mm
 X.X = ±0.50mm
 X.XX = ±0.10mm
 X.XXX = ±0.01mm
 ANGLES = ±5°
 UNLESS STATED

MATERIAL:
SEE ABOVE
FINISH:
S/AREA: mm²

TITLE:
2mm PITCH DIL SMT VERTICAL
LOW PROFILE SOCKET ASSEMBLY

DRAWING NUMBER:
M22-636XXXX

SHT
2 OF 2

AMEYA360

Components Supply Platform

Authorized Distribution Brand :



Website :

Welcome to visit www.ameya360.com

Contact Us :

➤ Address :

401 Building No.5, JiuGe Business Center, Lane 2301, Yishan Rd
Minhang District, Shanghai , China

➤ Sales :

Direct +86 (21) 6401-6692

Email amall@ameya360.com

QQ 800077892

Skype ameyasales1 ameyasales2

➤ Customer Service :

Email service@ameya360.com

➤ Partnership :

Tel +86 (21) 64016692-8333

Email mkt@ameya360.com